

# SONDER

LIVING

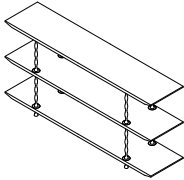

NATAL MEDIA CONSOLE TABLE - 3 TIER

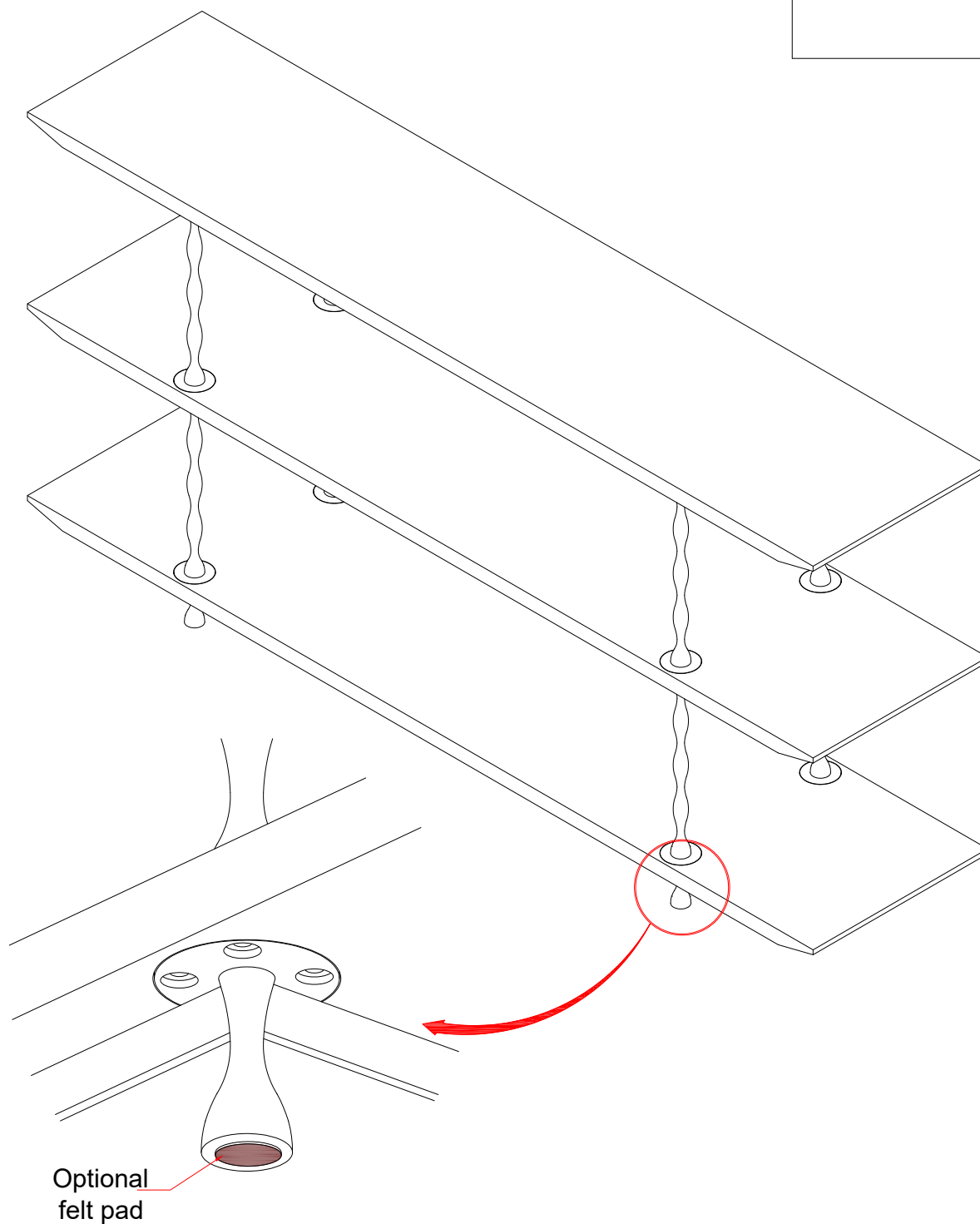
## ⚠ WARNING

- Use product on carpet or apply optional felt pads to help protect floors.
- Do not pull or push product on the floor.

## INSTRUCTIONS

Apply glue on the felt pads (B) then stick them underneath the legs of Etagere. See SKETCH as below.

A 	1
B 	4



## FURNITURE TIPPING RESTRAINT INSTRUCTIONS

Young children may be injured by tipping furniture and the use of a tipping restraint is highly recommended.

When properly installed, this restraint could provide protection against the unexpected tipping of furniture due to small tremors, bumps or climbing. We recommend mounting this restraint to a wall stud.

**WARNING:** This product is only a deterrent. It is not a substitute for proper adult supervision.


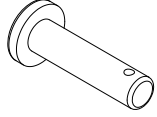
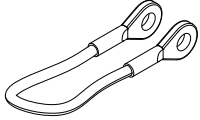
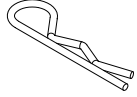
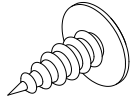
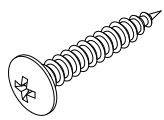
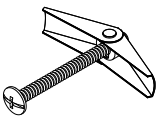
### ANTI-TIP-KIT INSTALLATION INSTRUCTION

**⚠ WARNING:** Always mount metal brackets to solid wood of furniture. Do not attach to plywood of back panels. **WE RECOMMEND ATTACHING TO STUDS.**

1. Attach mounting brackets (C) near the middle-top back edge of the furniture piece by inserting the shorter screws (G).
2. Determine the final position of the furniture piece. Mark locations on the wall approximately 2" below the brackets mounted to the back of the furniture.
3. Attach the second brackets to stud wall by inserting the longer screw (H) (See Figure A) or toggle bolt (I) with drywall (See Figure B).
4. Place the furniture so that the brackets on the back edge are in line with the brackets in the wall.
5. Insert the clevis pin (D) through holes on brackets and hole on steel aircraft cable (E). Use hair pin (F) to go through small hole on clevis pin (D) to lock it.
6. Repeat above step to attach the end of aircraft cable (E) to the bracket on the wall.
7. Check to make sure the steel aircraft cable is securely laced and locked to the brackets.

### CARE INSTRUCTIONS

- Dust often using a clean, soft, dry lint-free cloth.
- Blot spills immediately and wipe with a clean, damp, cloth.
- We do not recommend the use of chemical cleansers, abrasives, or furniture polish on our lacquered finish.

C		2
D		2
E		1
F		2
G		2
H		2
I		2

