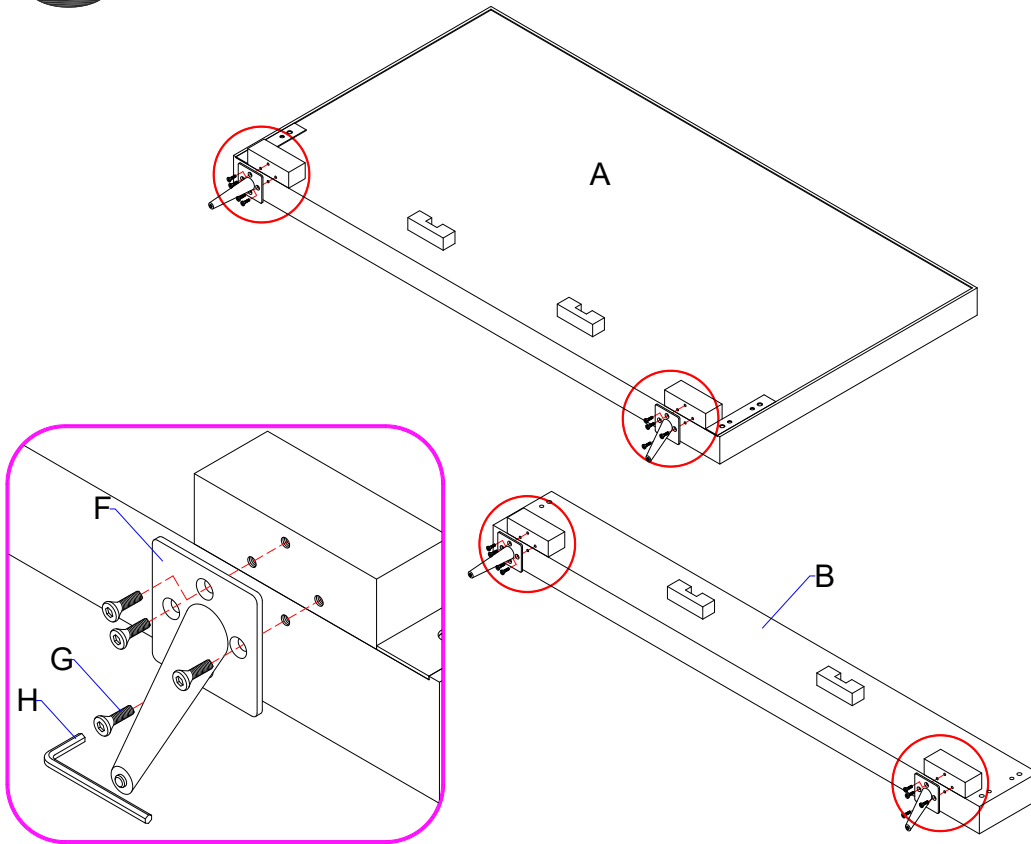


SONDER

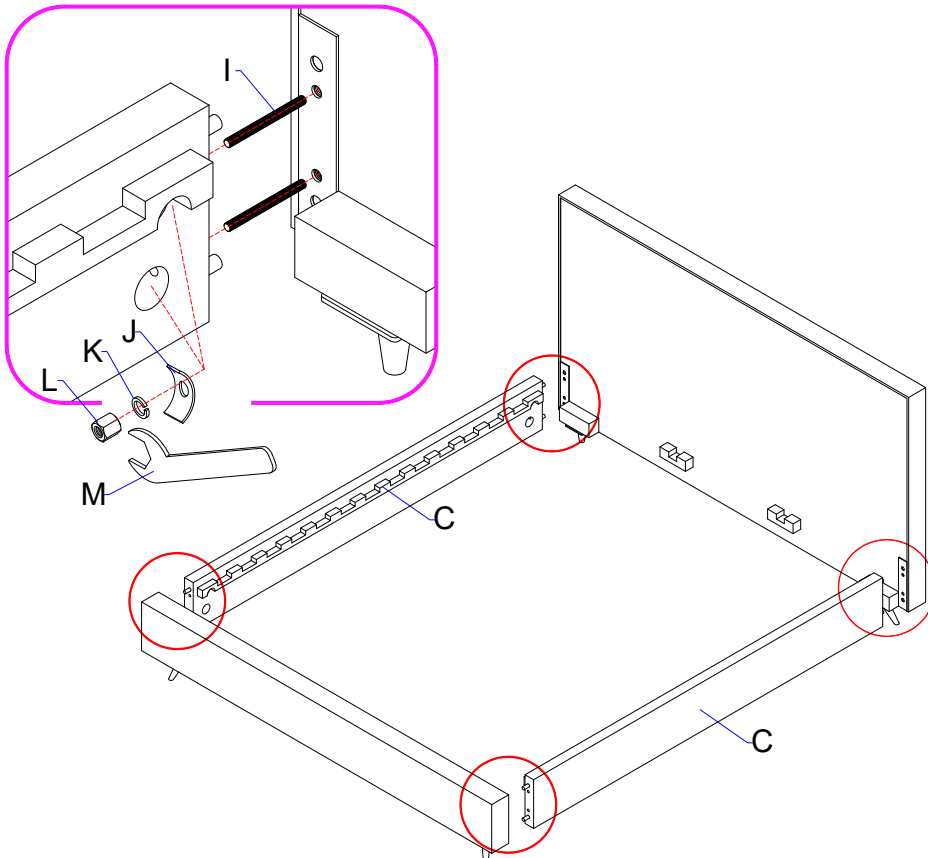
LIVING

ALMERA CLOSED NIGHTSTAND

1

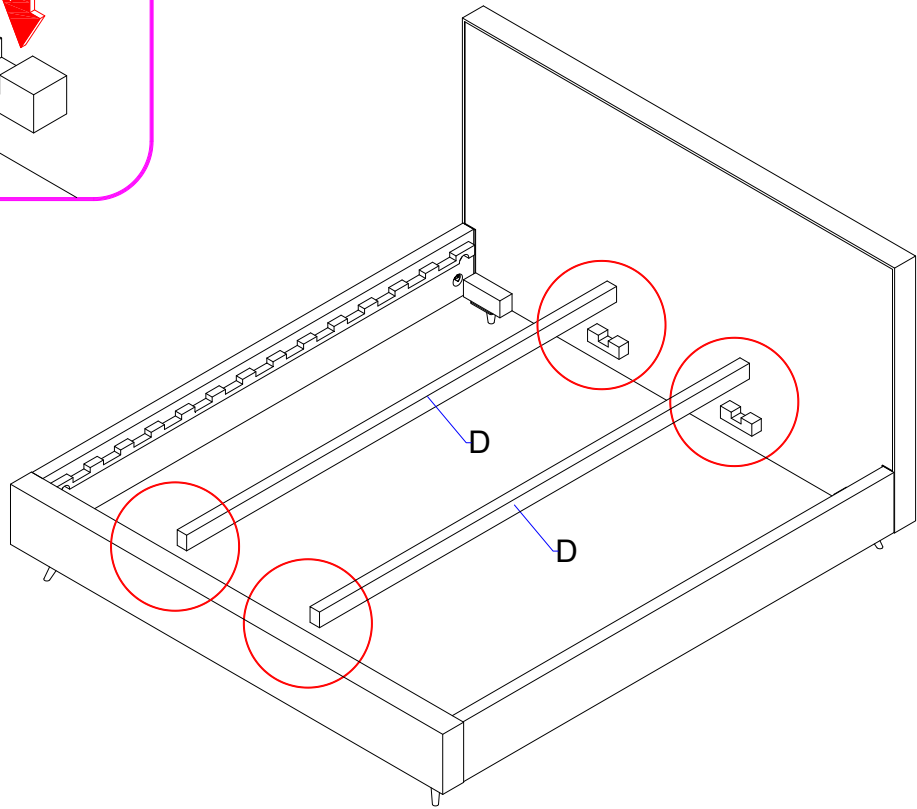
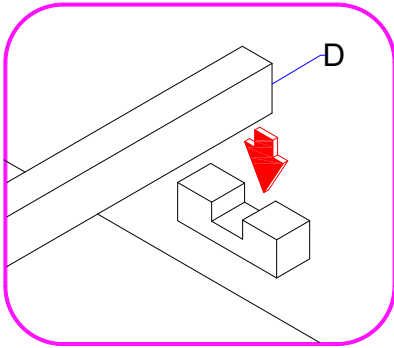


2



A		1
B		1
C		2
D		2
E		13
F		4
G		16
H		1
I		8
J		8
K		8
L		8
M		1

3



4

