

4

3

2

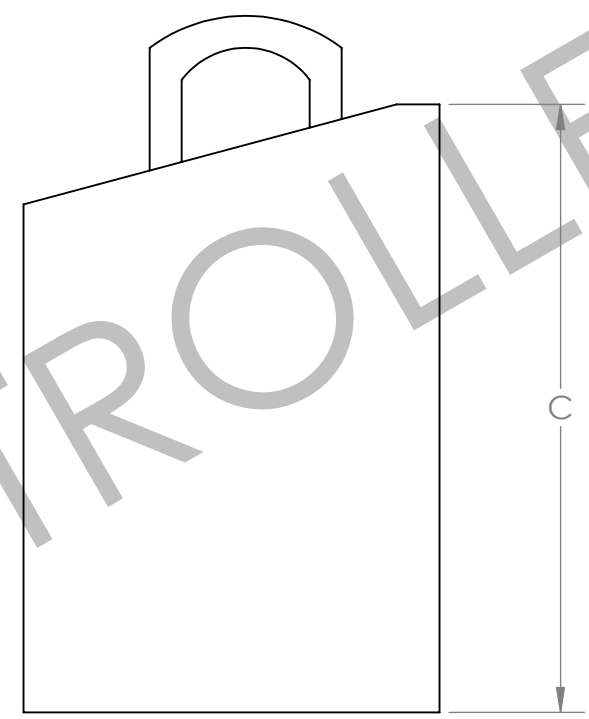
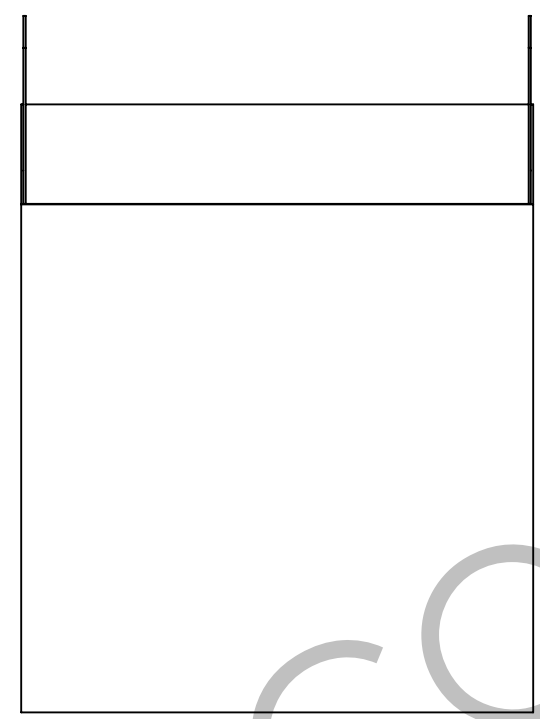
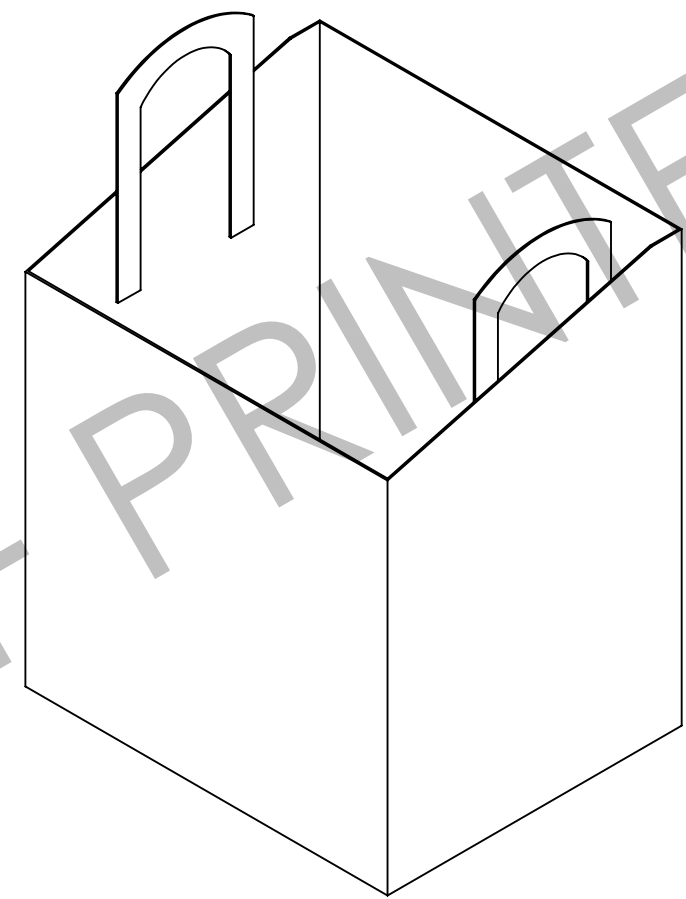
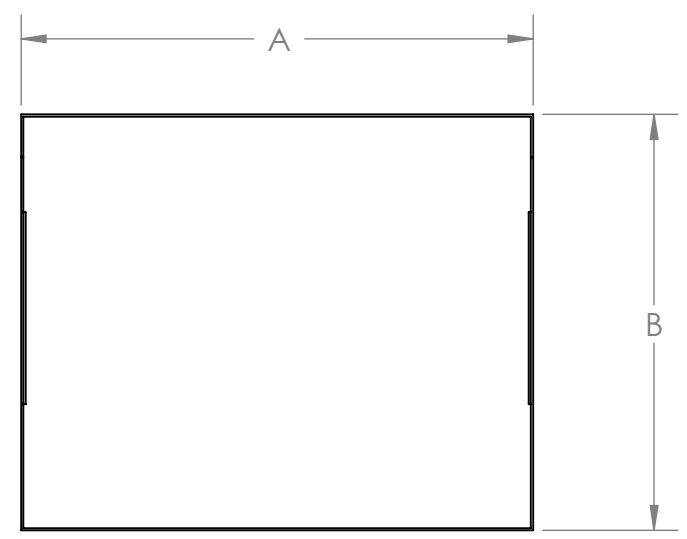
1

B

B

A

A



PART NO.	WIDTH "A"	DEPTH "B"	HEIGHT "C"
CTOHLSL-16-1	15.50 [393.7]	12.6 [320.04]	21.85 [555]
CTOHLSL-21-1	20.50 [520.7]	12.6 [320.04]	21.85 [555]

UNCONTROLLED IF PRINTED

CUSTOMER DRAWING



**PROPRIETARY AND CONFIDENTIAL**  
 This drawing is the property of Rev-A-Shelf LLC (RAS) and is disclosed in confidence to the extent its subject matter is original to RAS. Any vendor receiving this drawing from RAS shall hold and use this drawing for the sole benefit of RAS and shall not disclose it to, or use or reproduce it for any third party, or perform any act adverse to the interest of RAS with respect to this drawing without the express written permission of RAS. Vendors shall not revise any physical, dimensional or performance characteristic unless authorized by Rev-A-Shelf Engineering.

REV	DATE	BY	DESCRIPTION OF CHANGE

UNLESS OTHERWISE SPECIFIED:		
TOLERANCES = INCH/(MM)		
MAT. DEC.		
(WOOD) .XX +/- .03 [.8mm]		
(OTHER) .XX +/- .02 [.5mm]		
(ALL) .XXX +/- .005 [.13 mm]		
FRACTIONS +/- 1/32 [.8 mm]		
ANGLES +/- 1/2°		
First Angle Projection		
MATERIAL	FINISH	
DO NOT SCALE DRAWING	NAME	DATE
DRAWN	LCS	6-29-23

Description:		
<b>HAMPER BAG LINERS FOR CTOHBSL SERIES</b>		
PART NO. SEE CHART		
SIZE	DWG. NO.	REV
<b>B</b>	CTOHLSL-XX-X_CUST	
SCALE: 1:6	WEIGHT:	SHEET 1 OF 1