

Thank you for choosing this quality product. Be sure to check all packaging materials carefully for small parts that may have become loose during shipment and place all parts on a non-abrasive surface.

**IMPORTANT** :These parts can be cumbersome and heavy to some people, therefore the assistance of two or more people is recommended in order to prevent personal injury and insure the furniture is not damaged during the assembly Process.

### CARE INSTRUCTIONS

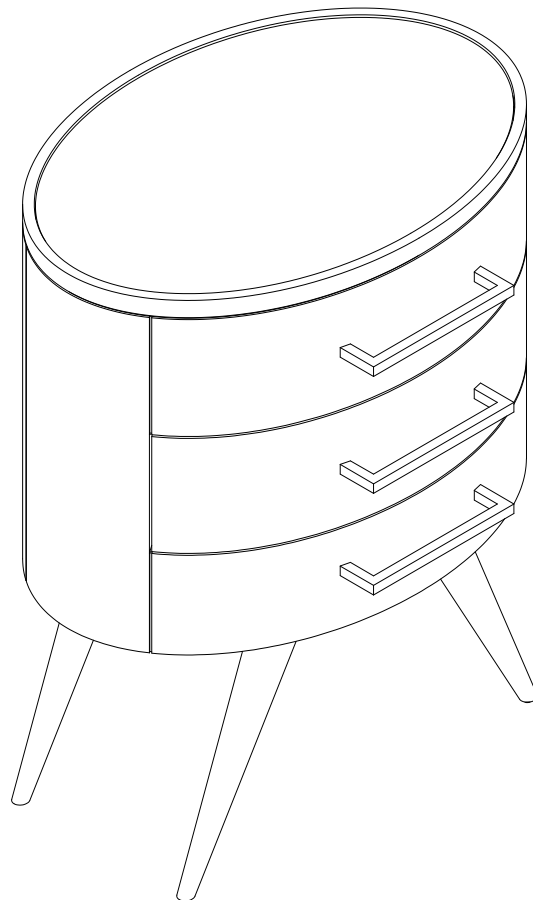
1. Dust often using a clean, soft, dry and lint-free cloth.
2. Blot spills immediately and wipe with a clean, damp, cloth.
3. We do not recommend the use of chemical cleansers, abrasives or furniture polish on our lacquered finish.

### IMPORTANT SAFETY INSTRUCTIONS

1. Please read all instructions carefully before assembling.
2. Keep instructions for future use.
3. Use only vendor supplied hardware to assemble. Using unauthorized hardware could jeopardize the structural integrity of the item.

### PART LIST

- A. [1] NIGHTSTAND
- B. [4] LEGS (left & right)

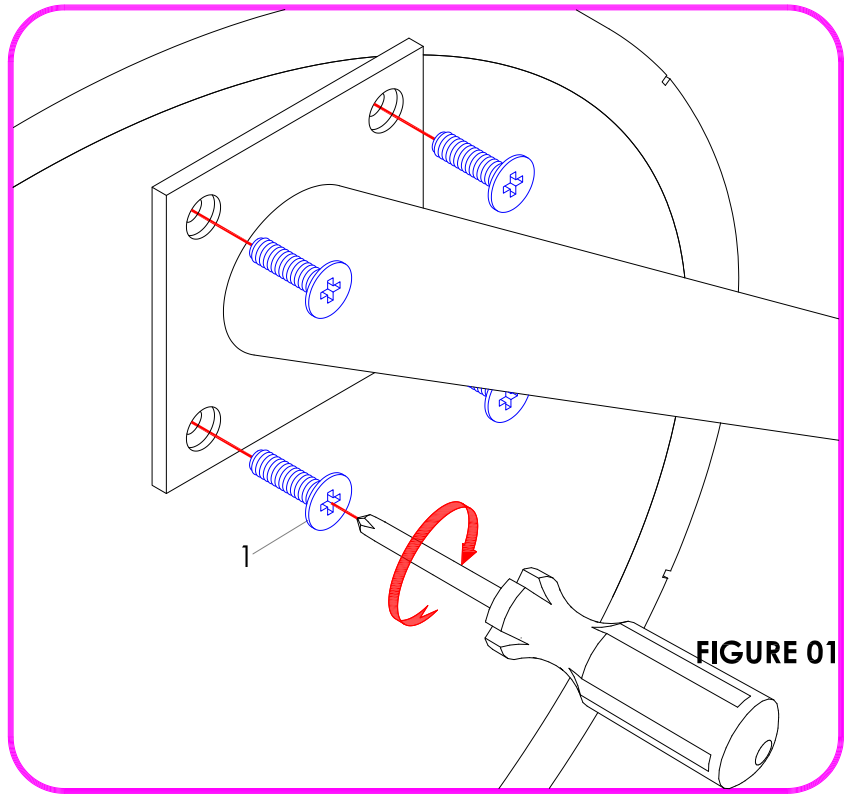


### HARDWARE LIST

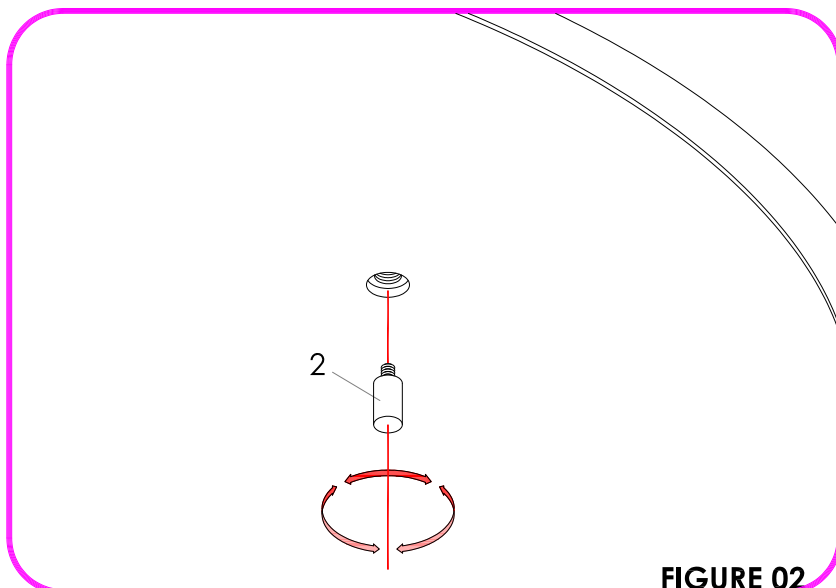
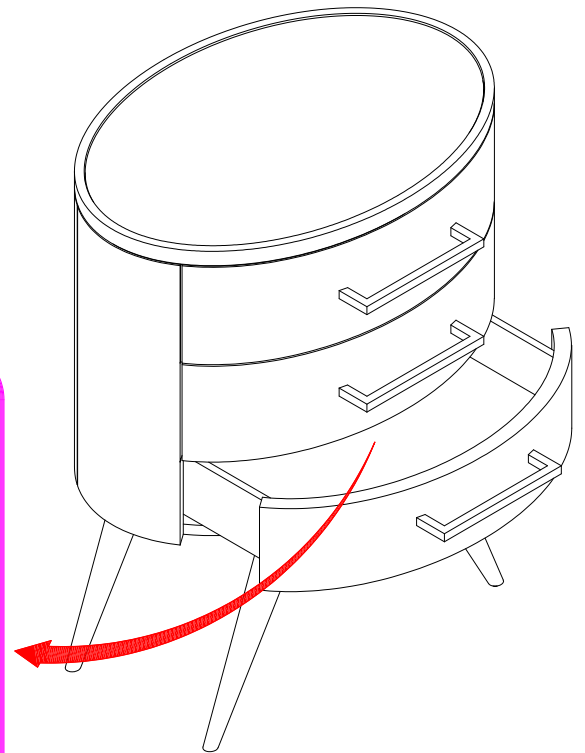
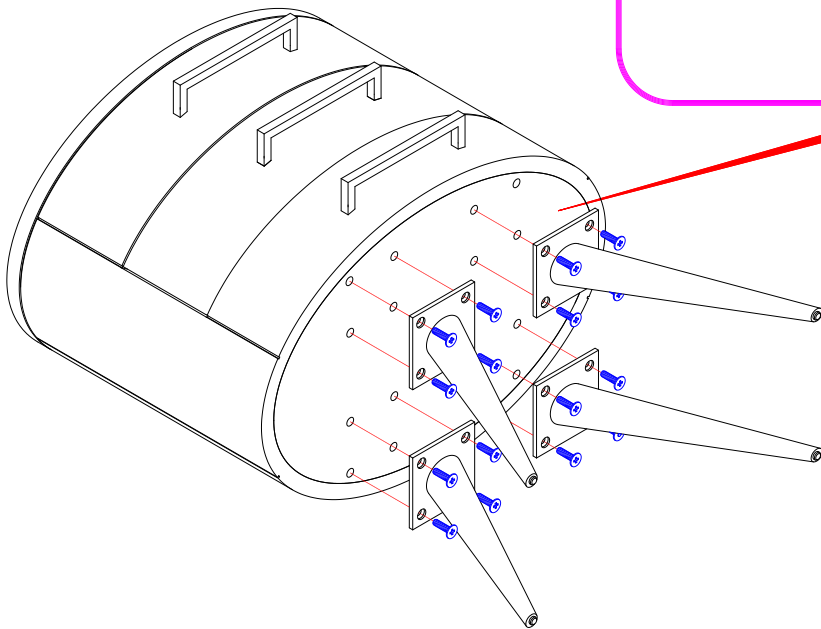
NO		DESCRIPTION	QTY
1		ALLEN BOLT	16
2		SHELF PINS	3

**INSTRUCTIONS.**

1. Lay the nightstand (A) on a flat surface.
2. Attach the legs (B) to the nightstand (A).  
Align and insert Allen bolt (1), Tighten all the bolts by using screw driver. See **FIGURE01.**
3. Turn the nightstand into upright position.
4. Open all the drawers then install the shelf pins (2) stop the drawer. see **FIGURE 02.**



**FIGURE 01**



**FIGURE 02**