

# Lumination® Controls Accessory

## Controller Kit Integration (RPL Series)



### BEFORE YOU BEGIN

Read these instructions completely and carefully.



### WARNING/AVERTISSEMENT

#### RISK OF FIRE OR ELECTRIC SHOCK

- Turn power off before inspection, installation or removal.
- Properly ground electrical enclosure.
- Follow all NEC and local codes.
- Do not make or alter any open holes in an enclosure of wiring or electrical components during kit installation.
- Fixture may fall down if not installed properly, follow installation instructions.
- Wear safety glasses and proper aid during installation and maintenance.
- Install this kit only in the luminaires that has the construction features and dimensions shown in the photographs and/or drawings.
- Above ceiling access required.
- LED Retrofit Kit installation requires knowledge of luminaires electrical systems. If not qualified, do not attempt installation. Contact a qualified electrician.
- Luminaires wiring and electrical parts may be damaged when drilling for installation of LED retrofit kit. Check for enclosed wiring and components.
- To prevent wiring damage or abrasion, do not expose wiring to edges of sheet metal or other sharp objects.
- Do not make or alter any open holes in an enclosure of wiring or electrical components during kit installation. Only those open holes indicated in the photographs and/or drawings may be made or altered as a result of kit installation. Do not leave any other open holes in an enclosure of wiring or electrical components. Above ceiling access required.
- LED Retrofit Kit installation requires knowledge of luminaires electrical systems. If not qualified, do not attempt installation. Contact a qualified electrician.
- THIS LUMINAIRE IS PROVIDED WITH A FACTORY-INSTALLED EMERGENCY LIGHTING PACK AND MUST BE SERVICED BY A PERSON FAMILIAR WITH THE CONSTRUCTION AND OPERATION OF THE PRODUCT AND THE HAZARDS INVOLVED.

#### RISQUES D'INCENDIE OU DE DÉCHARGES ÉLECTRIQUES

- Coupez l'alimentation avant d'inspecter, installer ou déplacer le luminaire.
- Assurez-vous de correctement mettre à la terre le boîtier d'alimentation électrique.
- Respectez tous les codes NEC et codes locaux
- Ne pas percer ou altérer les tr électrique durant l'installation.
- Le luminaire peut tomber s'il nest pas installé correctement, suivre les instructions d'installation
- Porter des lunettes de sécurité et les aides appropriées lors de l'installation et de l'entretien.
- Installez ce kit uniquement dans les appareils d'éclairage qui a les caractéristiques de la construction et les dimensions indiquées dans les photographies et/ou dessins.
- Accès requis au-dessus du plafond.
- L'installation du kit nécessite la connaissance des systèmes électriques des luminaires. Si vous n'êtes pas qualifié, ne tentez pas l'installation. Contactez un électricien qualifié.
- Le câblage du luminaire ainsi que ses composantes électriques peuvent être endommagés lors du perçage requis pour l'installation de l'ensemble de mise à niveau à DEL. Vérifiez le câblage et les composants.
- Afin de prévenir tout dommage ou abrasion aux fils électriques, évitez que ceux-ci ne viennent en contact avec les bordures métalliques ou d'autres objets pointus.
- Seules les ouvertures indiquées sur les photos et dessins peuvent être faites ou modifiées lors de l'installation de l'ensemble de mise à niveau à DEL. Ne laissez aucune ouverture dans le boîtier ou le compartiment où se trouvent les composants électriques.
- Accès requis au-dessus du plafond.
- L'installation du kit nécessite la connaissance des systèmes électriques des luminaires. Si vous n'êtes pas qualifié, ne tentez pas l'installation. Contactez un électricien qualifié.
- CE LUMINAIRE EST ÉQUIPÉ EN USINE D'UNE BATTERIE DE LUMIÈRES D'URGENCE ET SA RÉPARATION DOIT ÊTRE CONFIEE À UNE PERSONNE QUI CONNAÎT BIEN LE PRODUIT ET SON FONCTIONNEMENT AINSI QUE LES RISQUES INHÉRENTS.



### ATTENTION

- **DANGER** - RISK OF SHOCK DISCONNECT ALL POWER AND DISABLE THE BATTERY PACK POWER BEFORE SERVICING BALLAST REPLACEMENT REQUIRES RECONNECTION OF WIRES THAT MAY BE ENERGIZED.
- **DANGER** - RISQUE DE CHOC COUPER L'ALIMENTATION ET NEUTRALISER LA BATTERIE D'ACCUMULATEURS AVANT DE PROCÉDER À LA RÉPARATION DU BALLAST LE REMPLACEMENT DU BALLAST NÉCESSITE LA RECONNEXION DE CONDUCTEURS QUI PEUVENT ÊTRE SOUS TENSION.

## Prepare Electrical Wiring



### Electrical Requirements

- The RPL Controller Bracket must be supplied with 120V/277V, 50/60Hz or 347V, 50/60Hz for LXAMBAXXXXXX and is intended only for GE RPL Series fixtures.



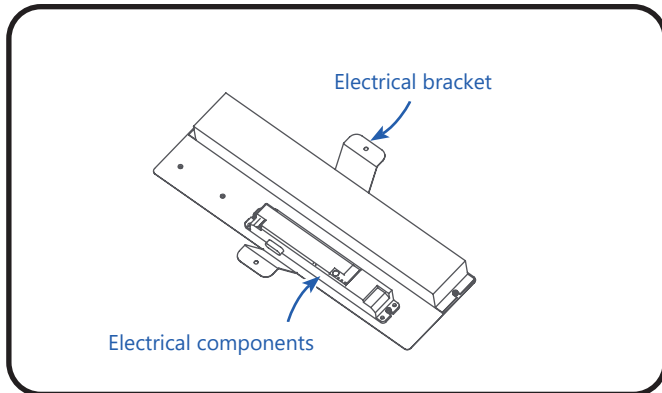
### Grounding Instructions

- The grounding and bonding of the overall system shall be done in accordance to local electric code of the country where the luminaire is installed.

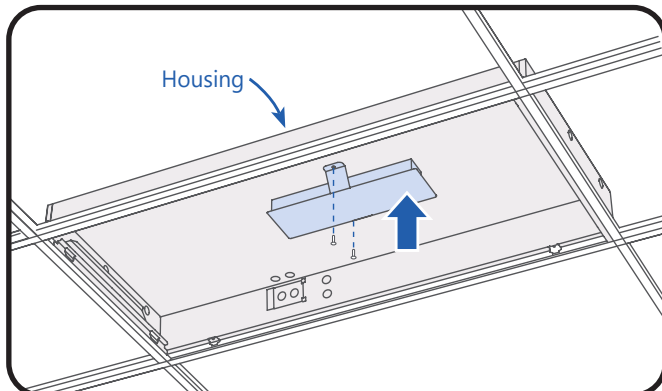
## Tools and Components Required

- Screwdriver
- UL Listed wire connectors

## Installation



Part identification.



- Mount the electrical bracket with electrical components to the existing housing with 2 provided #8x1/2" self-drilling screws.

- Position and install sensor in the ceiling using provided hardware.

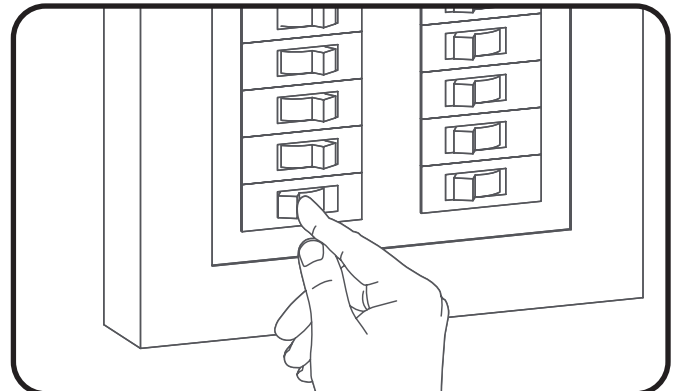
## Save These Instructions

Use only in the manner intended by the manufacturer. If you have any questions, contact the manufacturer.

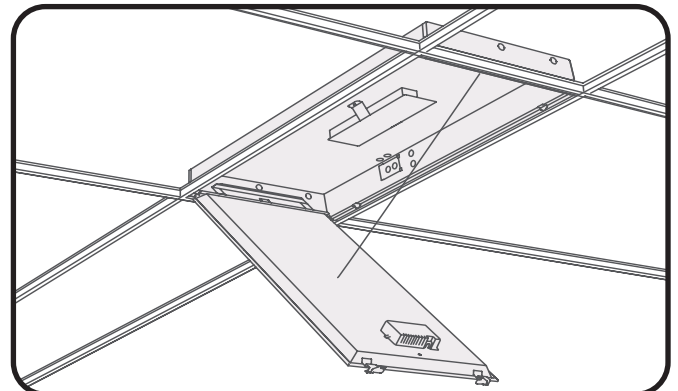
## Specifications

### Description Code for Control Units

TS - Daintree Wireless Fixture Adapter (120-277 VAC)
TQ - LG Innotech Wireless Interface Module (120-277 VAC)
T1 - Daintree One (120-277VAC)
TT - Daintree EZ Connect (120-277VAC)
TZ - Daintree Enterprise (120-277VAC)
SQ - Daintree Sensor Ready (120-277VAC)

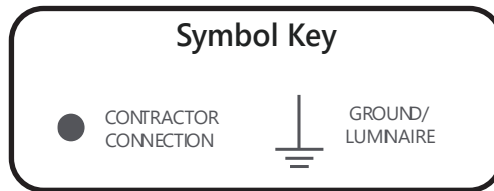


- Disconnect incoming power to the fixture at the panel.

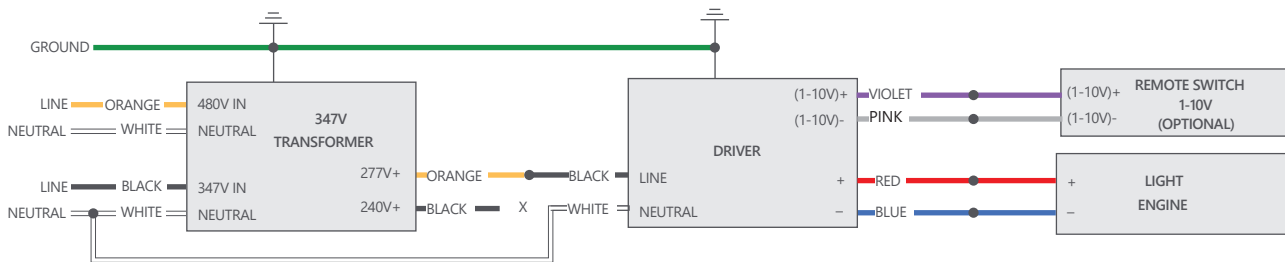


- See **Wiring Diagrams** in the next section for information on making wiring connections.

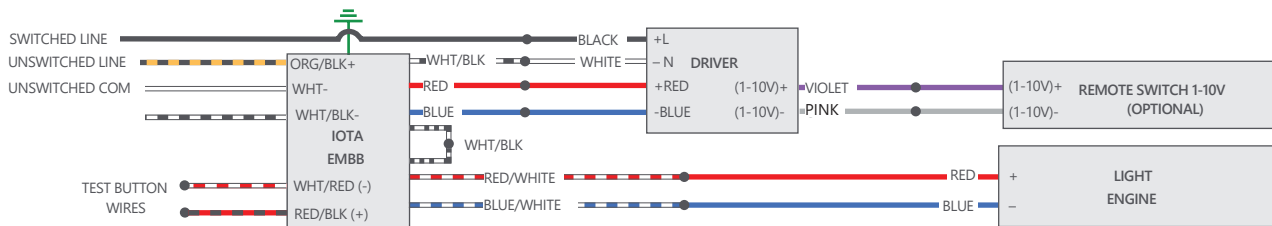
Wiring Diagrams



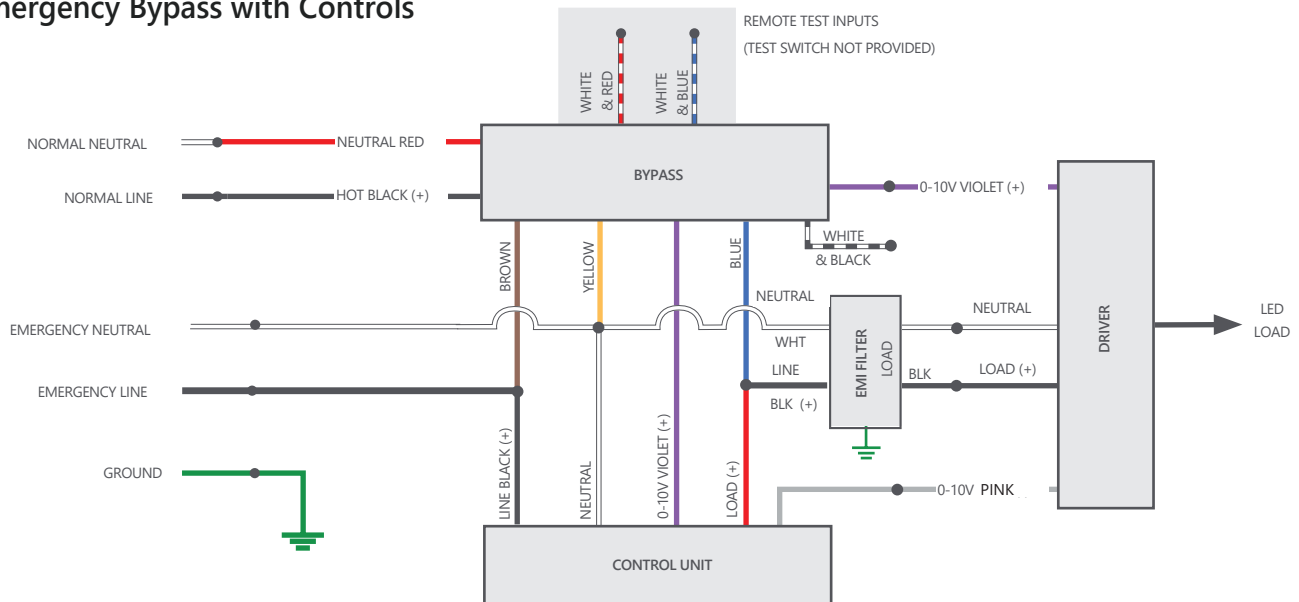
### 1-10V Dimming: 347V Version

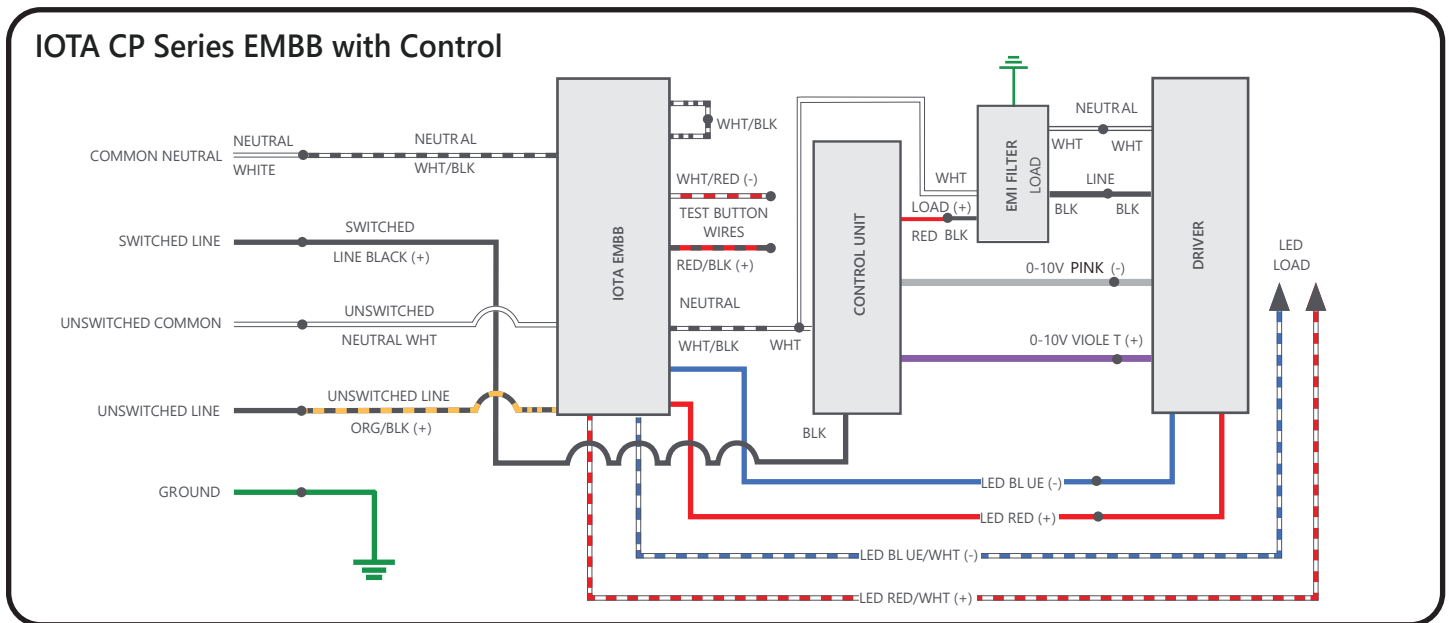
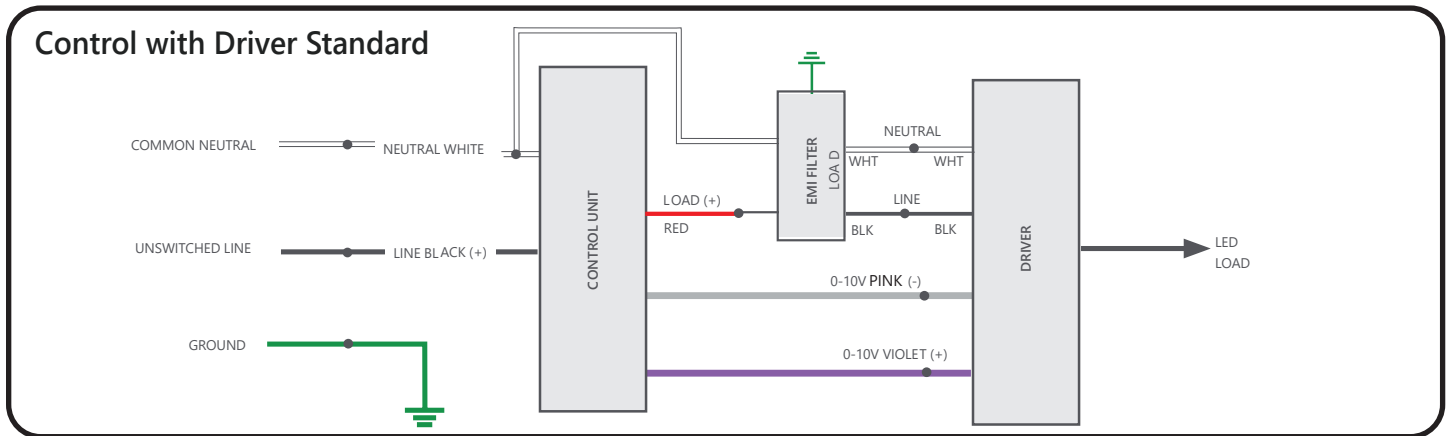


### 1-10V Dimming: EMBB Version



### Emergency Bypass with Controls

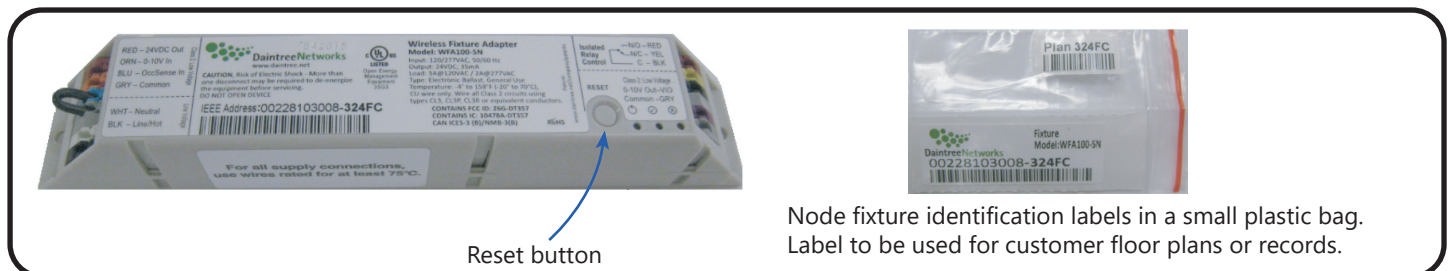




**NOTE:** For further information refer to EMBB installation instructions by searching for proper model number at [www.iotaengineering.com](http://www.iotaengineering.com)

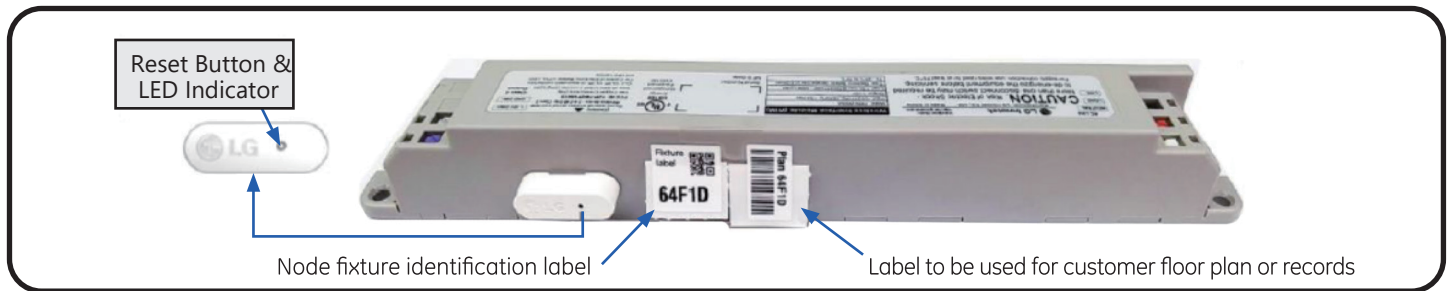
## Control Identification and Start Up

### Daintree Controller



**LABELS:** The labels are in a small plastic bag and can be visible either on the control unit itself or near the fixture labels on the outside of the luminaire. These labels can be left in the same visible spot, or they can be placed in an area that is easy to access for easy identification.

### LG Controller (Compatible with Daintree)



**LABELS:** The labels can be visible either on the control unit itself or near the fixture labels on the outside of the luminaire. These labels can be left in the same visible spot, or they can be placed in an area that is easy to access for easy identification.

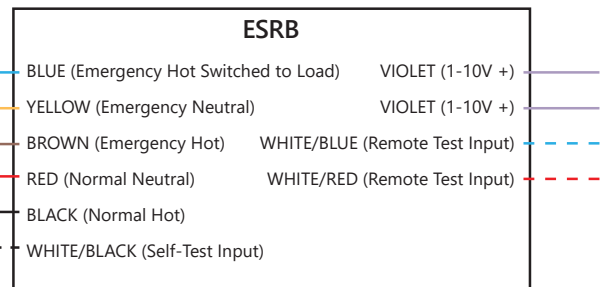
### Interface Module (SQ)



**EMERGENCY BYPASS OPTION:** Connect the BLACK and RED wires from the fixture to the normal, non-emergency AC wires to detect whether or not the fixture is in emergency mode.

**NOTE:**

- See diagram to right for wire colors and descriptions.
- Self-Test Input must be from same branch circuit as normal neutral and normal hot.
- Remote test switch is not provided.
- Remote test input is performed when input is CLOSED.



\* For further information on the bypass unit, refer to [www.functionaldevices.com](http://www.functionaldevices.com)

This device complies with Part 15 of the FCC Rules. Operation is subject to the following two conditions: (1) This device may not cause harmful interference, and (2) this device must accept any interference received, including interference that may cause undesired operation. CAN ICES-005(A)/NMB-005(A) This device complies with part 15 of the FCC rules for the United States and Industry Canada (IC) license exempt RSS standard(s). Operation is subject to the following two conditions: (1) This device may not cause harmful interference, and (2) this device must accept any interference received, including interference that may cause undesired operation. Any changes or modifications not expressly approved by the manufacturer could void the user’s authority to operate this equipment. This product is intended for commercial use only.

**Note:** This equipment has been tested and found to comply with the limits for a Class A digital device, pursuant to part 15 of the FCC Rules. These limits are designed to provide reasonable protection against harmful interference when the equipment is operated in a commercial environment. This equipment generates, uses, and can radiate radio frequency energy and, if not installed and used in accordance with the instruction manual, may cause harmful interference to radio communications. Operation of this equipment in a residential area is likely to cause harmful interference in which case the user will be required to correct the interference at his own expense.