

NOTE: TO BE SHIPPED DISASSEMBLED

CUSTOMER DRAWING

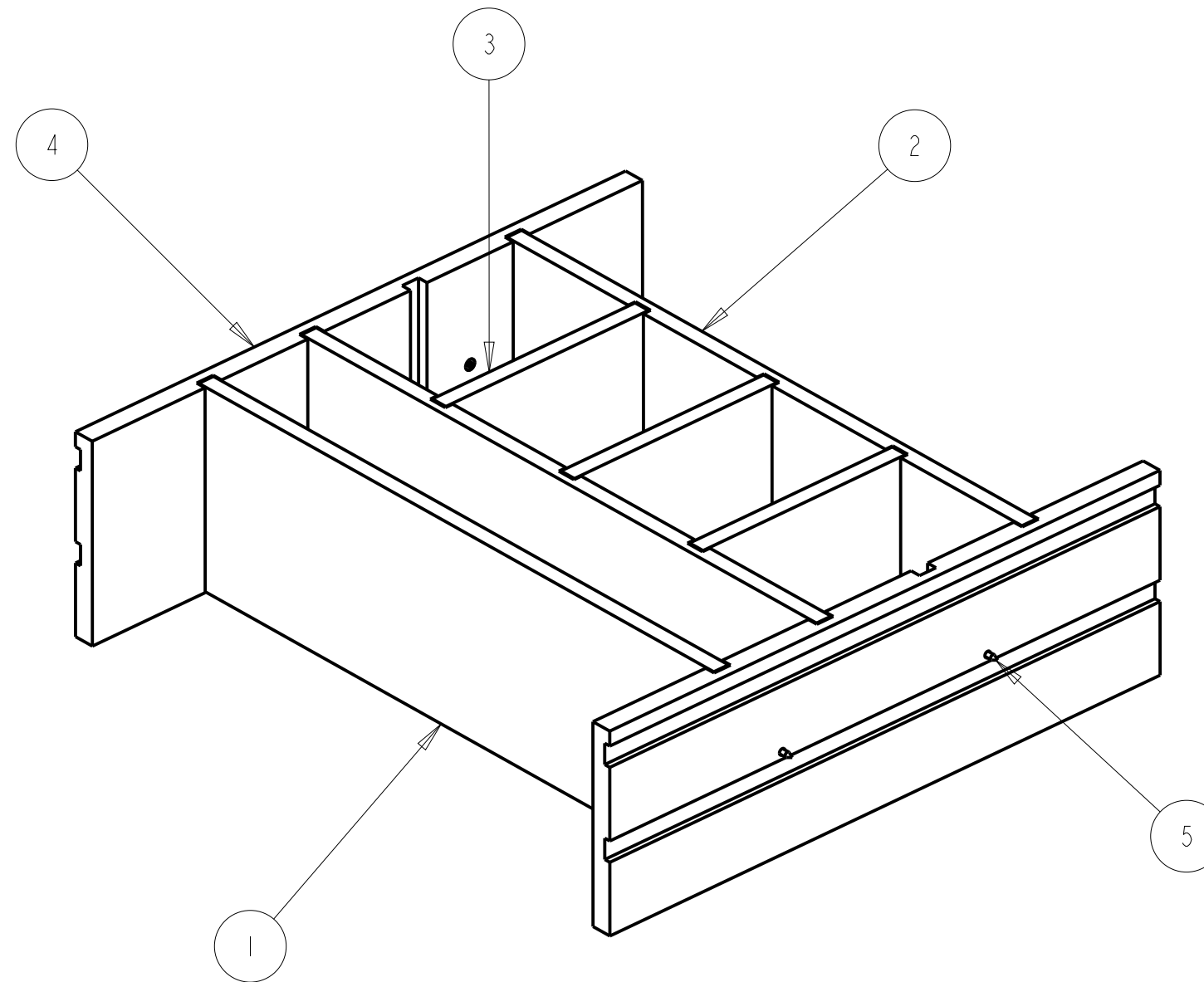
This drawing is the property of Rev-A-Shelf (RAS) and is disclosed in confidence to the extent its subject matter is original to RAS. Any vendor receiving this drawing from RAS shall hold and use this drawing for the sole benefit of RAS and shall not disclose it to, or use or reproduce it for any third party, or perform any act adverse to the interest of RAS with respect to this drawing without the express written permission of RAS. Vendors shall not revise any physical, dimensional or performance characteristic unless authorized by Rev-A-Shelf Engineering.

REV.	DATE	BY	DESCRIPTION OF CHANGE

INCH [MM]	AMERICAN PROJECTION	DRAWN	BY	DATE	REV-A-SHELF, Inc.
			JAB	11/15/22	
TOLERANCES		MATERIAL		SIZE	DEEP DRAWER DIVIDER SYSTEM - BASE 21-24
MAT.	DEC.	ANGLES ± 1/2°	FINISH	DRAWING NO.	SCALE
(WOOD) .XX ±.03 [8mm]	(OTHER) .XX ±.02 [5mm]			4WDIV-24-1	0.250
(ALL) .XXX ±.005 [13 mm]	FRACTIONS ±1/32 [8 mm]	PART NO.		SHEET OF	
		4WDIV-24-1		1 2	

NO.	PART NUMBER	DESCRIPTION	QTY.
1	4DDRS-1	DEEP DRAWER RAIL SYSTEM DIVIDER	2
2	4DDRS-2	DEEP DRAWER RAIL SYSTEM NOTCHED DIVIDER	2
3	4DDRS-3	DEEP DRAWER RAIL SYSTEM CROSS DIVIDER	3
4	4DDRS1875-1	18.75" DEEP DRAWER RAIL SYSTEM TRACK	2
5	NO 8 X 1"	PHILLIPS FLAT HEAD SCREW	4
6	INSTRUCTION SHEET		1

NOTE: TO BE SHIPPED WITH 2X 4DDRS-1



CUSTOMER DRAWING

This drawing is the property of Rev-A-Shelf (RAS) and is disclosed in confidence to the extent its subject matter is original to RAS. Any vendor receiving this drawing from RAS shall hold and use this drawing for the sole benefit of RAS and shall not disclose it to, or use or reproduce it for any third party, or perform any act adverse to the interest of RAS with respect to this drawing without the express written permission of RAS. Vendors shall not revise any physical, dimensional or performance characteristic unless authorized by Rev-A-Shelf Engineering.

REV.	DATE	BY	DESCRIPTION OF CHANGE

INCH [MM]	AMERICAN PROJECTION	BY	DATE		
		JAB	11/15/22		
TOLERANCES		MATERIAL	DRAWING NO.	SCALE	
MAT. DEC. (WOOD) .XX ±.03 [.8mm] (OTHER) .XX ±.02 [.5mm] (ALL) .XXX ±.005 [.13 mm] FRACTIONS ±1/32 [.8 mm]		FINISH	4WDIV-24-1	0.250	
REV. DATE BY DESCRIPTION OF CHANGE			PART NO.	SHEET OF	
			4WDIV-24-1	2 2	