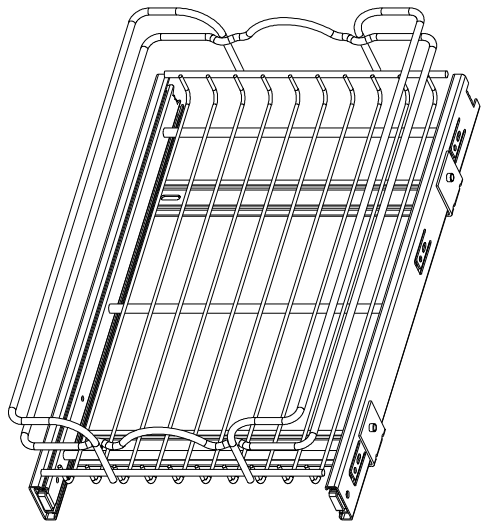


This drawing is the property of Rev-A-Shelf (RAS) and is disclosed in confidence to the extent its subject matter is original to RAS. Any vendor receiving this drawing from RAS shall hold and use this drawing for the sole benefit of RAS and shall not disclose it to, or use or reproduce it for any third party, or perform any act adverse to the interest of RAS with respect to this drawing without the express written permission of RAS. Vendors shall not revise any physical, dimensional or performance characteristic unless authorized by Rev-A-Shelf Engineering.

REV.	DATE	BY	DESCRIPTION OF CHANGE

INCH [MM]	AMERICAN PROJECTION	BY	DATE	REV-A-SHELF, Inc.
		DRAWN	KRR 5-28-19	
TOLERANCES		MATERIAL	DRAWING NO.	SCALE
MAT. DEC. (WOOD) .XX ±.03 [8mm] (OTHER) .XX ±.02 [5mm] (ALL) .XXX ±.005 [1.3 mm] FRACTIONS ±1/32 [8 mm]		FINISH	5WB1-1218CR-1	0.250
ANGLES ±1/2°		PART NO.	5WB1-1218CR-1	SHEET 1 OF 2

CUSTOMER DRAWING



PART DIMENSIONS		
	MIN	MAX
WIDTH	11.48	11.73
DEPTH	17.86	
HEIGHT	5.55	
CONTAINER CAPACITY		
CONTAINER UOM		

MIN CABINET OPENING				
	FACE FRAME	FRAMELESS	INSET FACE FRAME	INSET FRAMELESS
WIDTH	11.50	11.50	11.50	11.50
DEPTH	18.00	18.00	18.75	18.75
HEIGHT	6.00	6.00	6.00	6.00

SLIDE SPECIFICATIONS				
SLIDE MANUFACTURER				
SLIDE PART NUMBER		RELEASE PART NUMBER		
SLIDE TYPE	BALL BEARING	SLIDE EXTENSION	FULL	MAX WEIGHT RATING
SLIDE CLOSING	NORMAL	SLIDE LENGTH	17.72 [450MM]	
SLIDE MOUNTING	BOTTOM	SLIDE FINISH	ZINC	100 LB

CUSTOMER DRAWING

This drawing is the property of Rev-A-Shelf (RAS) and is disclosed in confidence to the extent its subject matter is original to RAS. Any vendor receiving this drawing from RAS shall hold and use this drawing for the sole benefit of RAS and shall not disclose it to, or use or reproduce it for any third party, or perform any act adverse to the interest of RAS with respect to this drawing without the express written permission of RAS. Vendors shall not revise any physical, dimensional or performance characteristic unless authorized by Rev-A-Shelf Engineering.

REV.	DATE	BY	DESCRIPTION OF CHANGE

INCH [MM]	AMERICAN PROJECTION	BY	DATE	REV-A-SHELF, Inc.
		DRAWN	KRR	
SIZE				12" SINGLE WIRE BASKET
MATERIAL		DRAWING NO.	SCALE	
FINISH		5WB1-1218CR-1	0.250	
PART NO.		5WB1-1218CR-1	SHEET	2 OF 2
TOLERANCES				
MAT. DEC.				
(WOOD) .XX ±.03 [.8mm]				
(OTHER) .XX ±.02 [.5mm]				
(ALL) .XX ±.005 [0.13 mm]				
FRACTIONS ±1/32 [.8 mm]				
ANGLES ±1/2°				