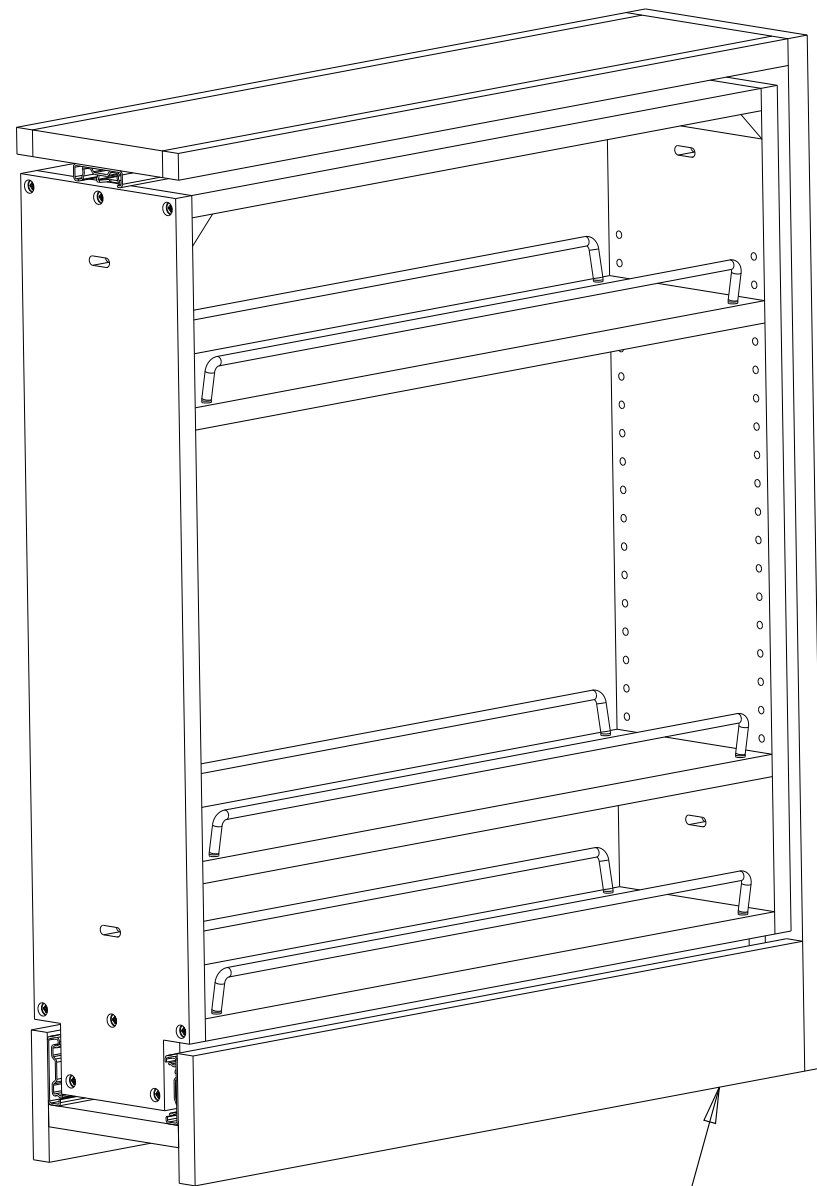


CUSTOMER DRAWING

This drawing is the property of Rev-A-Shelf (RAS) and is disclosed in confidence to the extent its subject matter is original to RAS. Any vendor receiving this drawing from RAS shall hold and use this drawing for the sole benefit of RAS and shall not disclose it to, or use or reproduce it for any third party, or perform any act adverse to the interest of RAS with respect to this drawing without the express written permission of RAS. Vendors shall not revise any physical, dimensional or performance characteristic unless authorized by Rev-A-Shelf Engineering.

REV.	DATE	BY	DESCRIPTION OF CHANGE

INCH [MM]	AMERICAN PROJECTION	DRAWN	BY	DATE	REV-A-SHELF, INC.
			LCS	8/08/22	
TOLERANCES			MATERIAL	DRAWING NO.	SCALE
MAT.	DEC.	ANGLES		438-BC-6C	
(WOOD)	.XX ±.03 [.8mm]	±1/2°	FINISH	PART NO.	SHEET OF
(OTHER)	.XX ±.02 [.5mm]			438-BC-6C	
(ALL)	.XXX ±.005 [.13 mm]				
	FRACTIONS ±1/32 [.8 mm]				



UNIT MAY NEED TO BE CUT DOWN TO FIT CABINET OPENING (CUT AT BOTTOM ONLY).

PART DIMENSIONS		
	MIN	MAX
WIDTH	6.00 [152,4]	
DEPTH	23.00 [584,2]	
HEIGHT	26.37 [669,8] CUT DOWN MINIMUM	27.31 [693,7] NOT CUT DOWN

MIN CABINET OPENING				
	FACE FRAME	FRAMELESS	INSET FACE FRAME	INSET FRAMELESS
WIDTH	6.00 [152,4]	6.00 [152,4]	6.00 [152,4]	6.00 [152,4]
DEPTH	23.00 [584,2]	23.00 [584,2]	23.75 [603,3]	23.75 [603,3]
HEIGHT NOT CUT DOWN	27.31 [693,7]	27.31 [693,7]	27.31 [693,7]	27.31 [693,7]
HEIGHT CUT DOWN	26.37 [669,8]	26.37 [669,8]	26.37 [669,8]	26.37 [669,8]

SLIDE SPECIFICATIONS				
SLIDE TYPE	BALL BEARING	SLIDE EXTENSION	FULL	MAX WEIGHT RATING
SLIDE CLOSING	N/A	SLIDE LENGTH	550 MM	
SLIDE MOUNTING	N/A	SLIDE FINISH	ZINC	100 LB

PRODUCT MAX WEIGHT RATING
BMHA STANDARDS

CUSTOMER DRAWING

This drawing is the property of Rev-A-Shelf (RAS) and is disclosed in confidence to the extent its subject matter is original to RAS. Any vendor receiving this drawing from RAS shall hold and use this drawing for the sole benefit of RAS and shall not disclose it to, or use or reproduce it for any third party, or perform any act adverse to the interest of RAS with respect to this drawing without the express written permission of RAS. Vendors shall not revise any physical, dimensional or performance characteristic unless authorized by Rev-A-Shelf Engineering.

REV.	DATE	BY	DESCRIPTION OF CHANGE

INCH [MM]	AMERICAN PROJECTION	DRAWN	BY	DATE	REV-A-SHELF, INC.
			LCS	8/08/22	
			SIZE	6" BASE ORGANIZER PULLOUT 438	
			MATERIAL	DRAWING NO.	SCALE
			FINISH	438-BC-6C	0.200
				PART NO.	438-BC-6C

TOLERANCES
 MAT. DEC.
 (WOOD) .XX ±.03 [.8mm]
 (OTHER) .XX ±.02 [.5mm]
 (ALL) .XXX ±.005 [.13 mm]
 FRACTIONS ±1/32 [.8 mm]

ANGLES
 ±1/2°