

# ACE® LED Signal Retrofit for Transit and Wayside

Current has developed a  
universal white LED solution  
for use behind colored lenses



Project Name \_\_\_\_\_

Date \_\_\_\_\_ Type \_\_\_\_\_

Notes \_\_\_\_\_

## RETROFIT SOLUTION

- One white module is a fit for all colors; utilizes the original housing lens and color filter
- Fits in existing housing, customized brackets available
- Easy to install and align
- Reduces inventory and maintenance cost
- Mounting bracket comes with AREMA terminal block and hardware

## OUTSTANDING RELIABILITY

- Self-contained design provides protection against moisture and dust
- Backed by a 48 month limited warranty
- GE has sold over 210,000 wayside signals worldwide
- Robust LED system design enables long product life

## MEETS RIGOROUS CERTIFICATION & TESTING STANDARDS

- Meets AREMA chromaticity when placed behind AREMA compliant lens\*
- All lamps undergo comprehensive testing during manufacturing process
- Meets military radiated immunity standard 50V/m MIL-STD-461F, exceeding AREMA recommendations

\* AREMA 7.1.10 standard



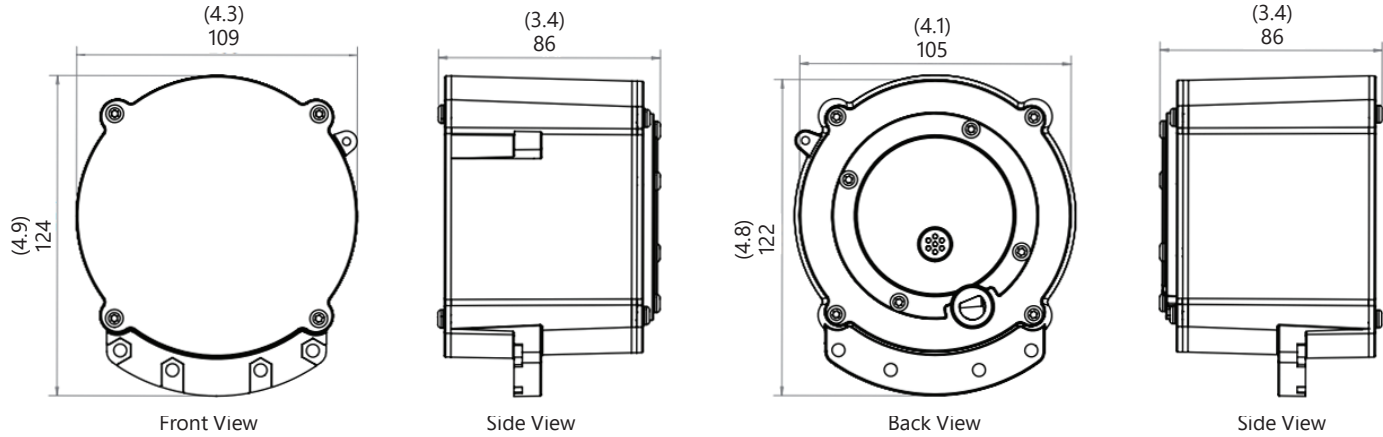
# ACE® LED Signal Retrofit for Transit and Wayside

Project Name \_\_\_\_\_

Date \_\_\_\_\_ Type \_\_\_\_\_

Notes \_\_\_\_\_

## Mechanical Outline Dimensions in mm (inches)



## LED Module Information

Parameter	Value
Signal Name	Ace
Signal Model Number	TR3-WFFB-101A
Voltage Range	110V AC (60Hz)
Operating Temperature Range	-40°C to +70°C
Nominal Power	9.2 W
Nominal Current	0.084 A

## Bracket Kit Options

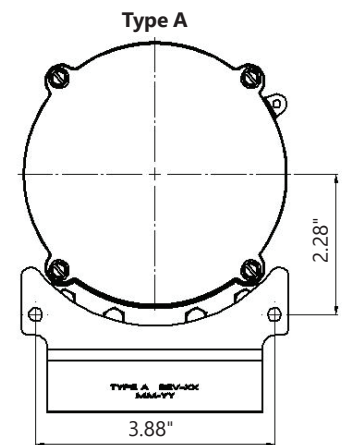
Bracket Model Number	Bracket Description	Hole Pattern**
93068258	BRA-TR3-001	Type A
93068259	BRA-TR3-002	Type B
93068260	BRA-TR3-003	Type C
93068261	BRA-TR3-004	Type D
93068262	BRA-TR3-005	Type E
93068263	BRA-TR3-006	Type F
93068264	BRA-TR3-007	Type G
93068265	BRA-TR3-008	Type H
93068746	BRA-TR3-009	Type I

## Design Compliance

Characteristic	Compliance
Mechanical Vibration & Shock	AREMA 11.5.1, Class A
Environmental	Rain Testing: MIL-STD-810E Method 516.3, Procedure 1 Environmental Blowing Metal Dust Testing: MIL-STD-810E Method 510.3, Procedure I Sand Testing: MIL-STD-810E, Procedure
Dielectric Strength	AREMA 11.5.1, Class A
Electrical Surge Protection	EN61000-4-5, Class 3 and AREMA 11.3.3-
Radiated Susceptibility	MIL-STD-461F RS101 MIL-STD-461F RS103 (50V/m)
Conducted Susceptibility	AREMA 2013 Part 11.5.2, EN1000-4-6, 10V(rms)
Conducted/Radiated Emissions	FCC, Part 15, Subpart B, Class B
Radio Transmitter Susceptibility	EN 50121-3-2

## Bracket Example

All Bracket options can be found on datasheet RAIL322- part 2. Each of them have a unique hole pattern to answer your needs.



\* Preliminary. Subject to change

\*\* Other custom brackets available, please contact your sales representative for more information.

\*\*\* Please contact your sales representative for other voltages.