

LED Pedestrian 16x18" Incandescent Look Signal Modules



PS7-CFF1-46A-J, PS7-CFF1-26A-J, PS7-CFF1-VLA-032, PS7-CFF1-27A-J,
PS7-CFF1-46A-J, PS7-CFF1-26A-J, PS7-CFF1-26A-J1, PS7-CFF1-VLA-053



BEFORE YOU BEGIN

Read these instructions completely and carefully. If you prefer to have this Installation Instructions document in other languages, visit our official website at: www.gecurrent.com/transportation

⚠ WARNING / AVERTISSEMENT

RISK OF ELECTRIC SHOCK

Disconnect Before Servicing or installing product. The LED module must be installed into a signal head with adequate ingress protection for the location (protection from the weather).

RISQUES DE DÉCHARGES ÉLECTRIQUES

Couper l'alimentation avant le dépannage ou avant l'installation du produit. Le module DEL doit être installé dans une tête de signal avec une protection adéquate d'entrée pour l'emplacement (protection contre les intempéries).

Prepare Electrical Wiring



Electrical Requirements

- Do not use in wet locations.
- Follow all National Electric Codes (NEC) and local codes.

Important Information

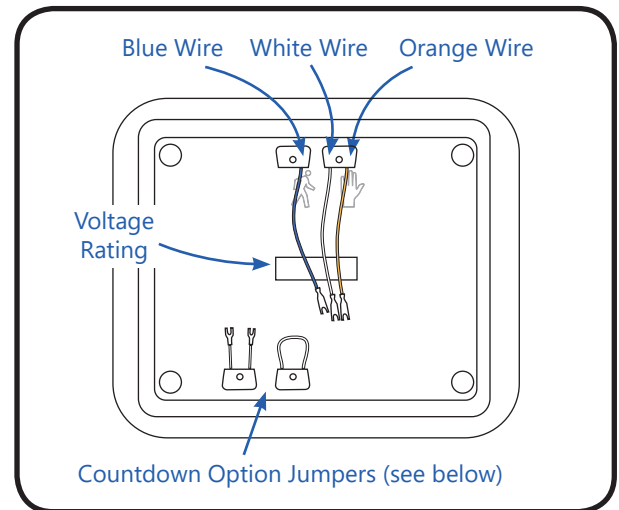
- This product is intended solely for the use of traffic signaling and is not intended for use in any other applications.

This device complies with part 15 of the FCC Rules. Operation is subject to the following two conditions: (1) This device may not cause harmful interference, and (2) this device must accept any interference received, including interference that may cause undesired operation.
CAN ICES-005 (A)/NMB-005(A)

NOTE: This equipment has been tested and found to comply with the limits for a Class A digital device, pursuant to part 15 of the FCC Rules. These limits are designed to provide reasonable protection against harmful interference when the equipment is operated in a commercial environment. This equipment generates, uses, and can radiate radio frequency energy and, if not installed and used in accordance with the instruction manual, may cause harmful interference to radio communications. Operation of this equipment in a residential area is likely to cause harmful interference in which case the user will be required to correct the interference at his own expense.

Installation Steps

- 1 Verify input voltage is within specified range on the back of the LED signal module before installation. Failure to do so will cause lamp to fail.
- 2 Open front cover of (customer supplied) traffic signal housing.
- 3 Connect the wires to the appropriate terminal block within customer supplied signal housing.
Orange wire → (+ for Hand),
Blue Wire → (+ for Person),
White wire → (for the neutral).
- 4 Close front cover of (customer supplied) traffic signal housing ensuring that the module gasket is tight within the housing.



To Test Countdown

NOTE: Module does not need to be disconnected from terminal block.

- 1 Remove Cap from "CONNECT TO TEST"
- 2 Connect jumper wire using appropriate screws.
- 3 Re-install Cap over jumper location

To Stop Testing Countdown

- 1 Remove Cap from "CONNECT TO TEST"
- 2 Disconnect jumper wire and store it for future use. (A)
- 3 Re-install Cap over jumper wire

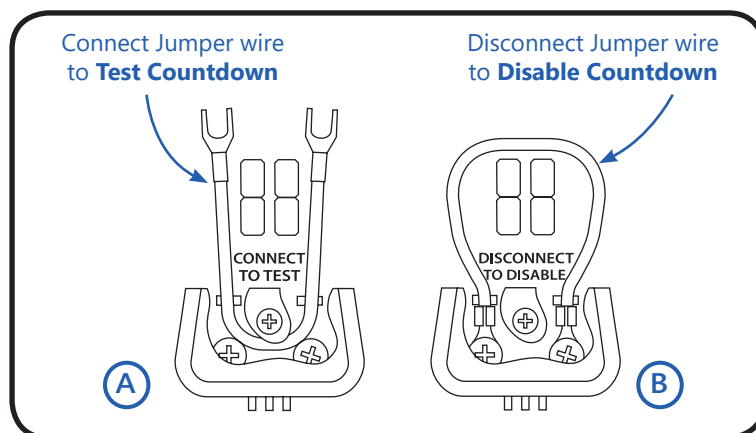
To Disable Countdown

NOTE: Module does not need to be disconnected from terminal block.

- 1 Remove Cap from "DISCONNECT TO DISABLE"
- 2 Remove jumper wire and replace screws for future use.
- 3 Re-install Cap over jumper location

To Re-Enable Countdown

- 1 Remove Cap from "DISCONNECT TO DISABLE"
- 2 Re-install jumper wire using appropriate screws. (B)
- 3 Re-install cap over jumper wire.



⚠ CAUTION

RISK OF ELECTRIC SHOCK

Install unit in enclosure tested to be suitable for wet locations only.