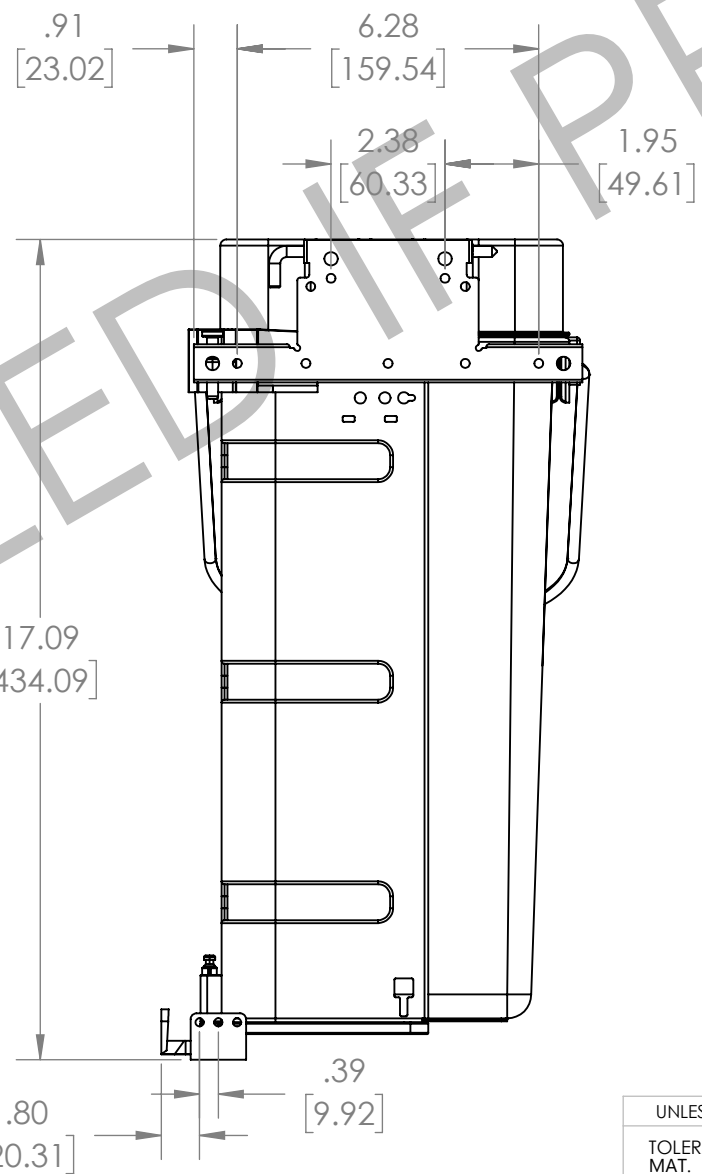
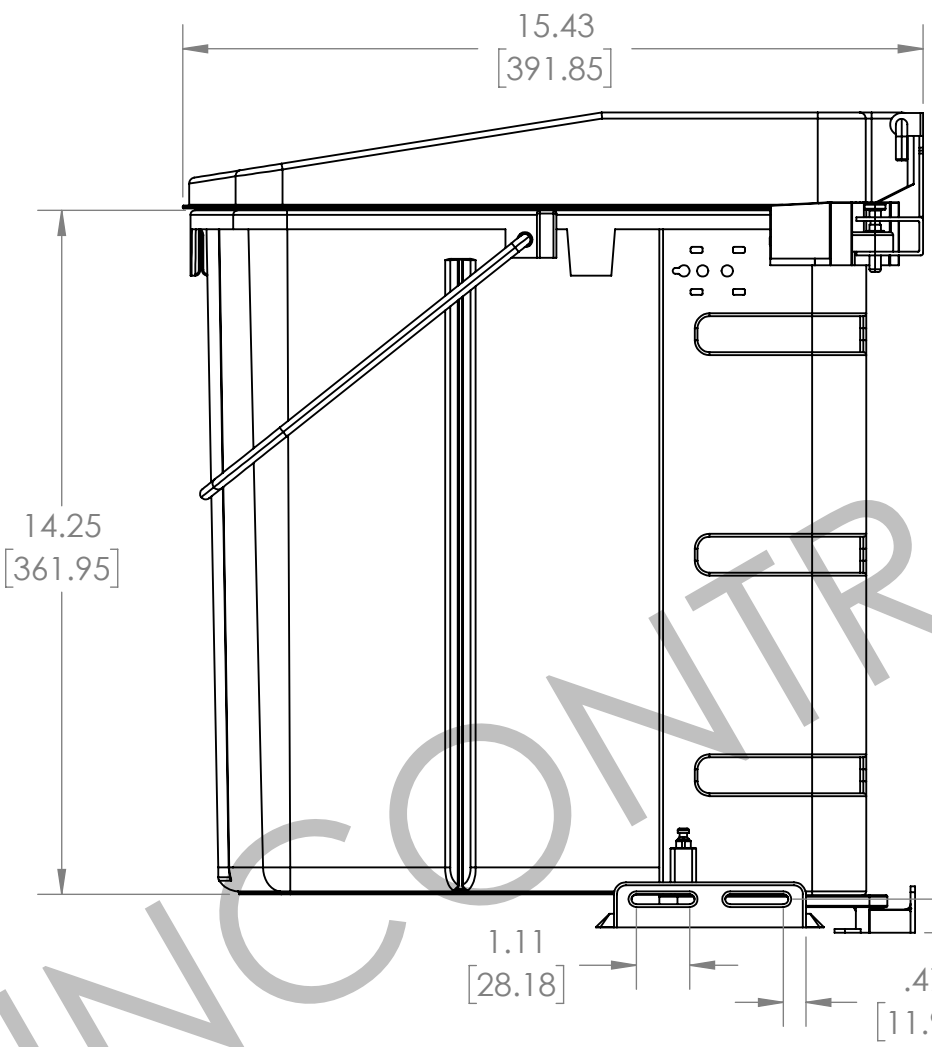
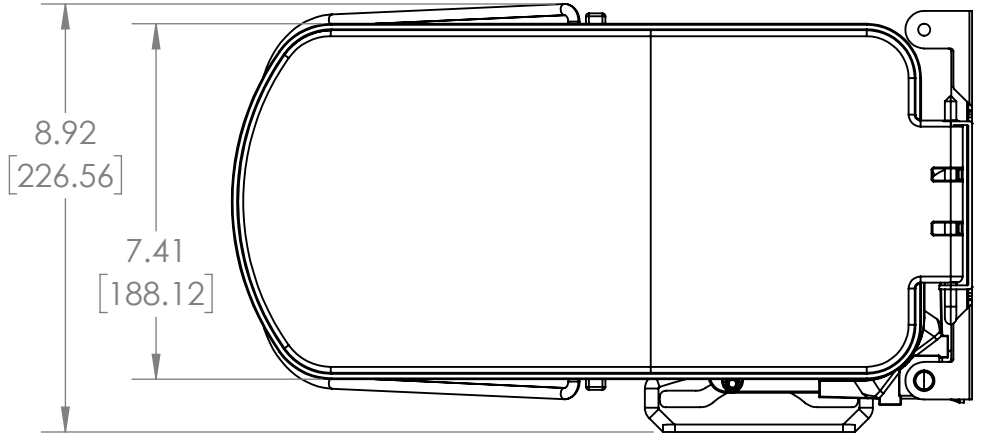


4

3

2

1



UNCONTROLLED

PRINTED

CUSTOMER DRAWING



PROPRIETARY AND CONFIDENTIAL
 This drawing is the property of Rev-A-Shelf LLC (RAS) and is disclosed in confidence to the extent its subject matter is original to RAS. Any vendor receiving this drawing from RAS shall hold and use this drawing for the sole benefit of RAS and shall not disclose it to, or use or reproduce it for any third party, or perform any act adverse to the interest of RAS with respect to this drawing without the express written permission of RAS. Vendors shall not revise any physical, dimensional or performance characteristic unless authorized by Rev-A-Shelf Engineering.

REV	DATE	BY	DESCRIPTION OF CHANGE

UNLESS OTHERWISE SPECIFIED:		
TOLERANCES = INCH/(MM)		
MAT. DEC.		
(WOOD) .XX +/- .03 [.8mm]		
(OTHER) .XX +/- .02 [.5mm]		
(ALL) .XXX +/- .005 [.13 mm]		
FRACTIONS +/- 1/32 [.8 mm]		
ANGLES +/- 1/2°		
First Angle Projection		
MATERIAL	FINISH	
DO NOT SCALE DRAWING	NAME	DATE
DRAWN	LCS	6-22-23

Description:		
20 L PIVOT OUT WASTE CONTAINER		
PART NO. 8-700411-20		
SIZE	DWG. NO.	REV
B	8-700411-20_cust	
SCALE: 1:4	WEIGHT:	SHEET 1 OF 2

4

3

2

1

B

B

A

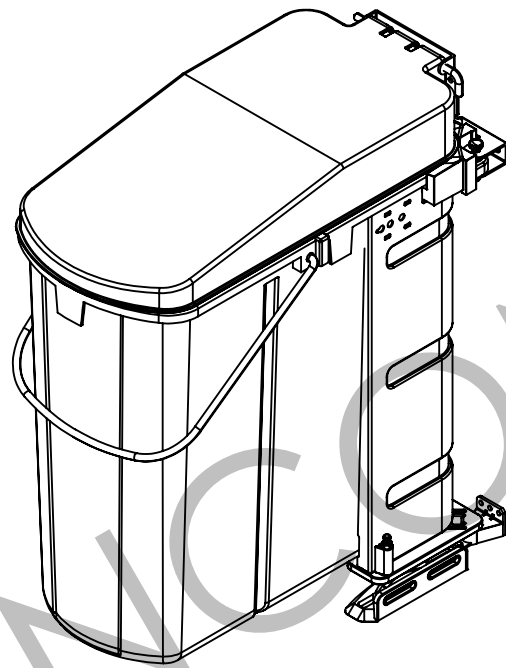
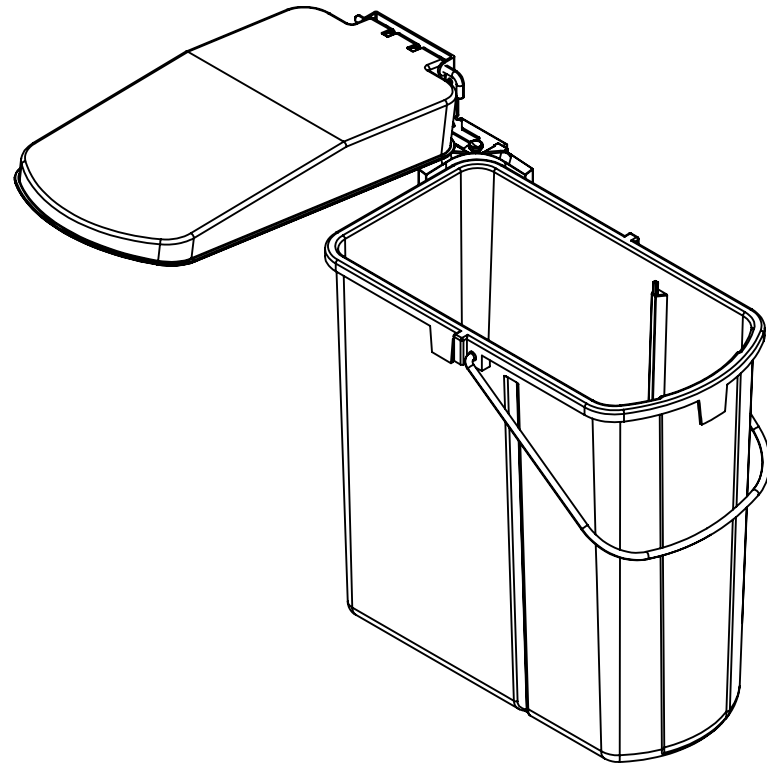
A

4

3

2

1



PART DIMENSIONS	
WIDTH	15.43 [391.85]
DEPTH	8.92 [226.56]
HEIGHT *	17.09 [434.09]

* W/ LID OPEN: 17.96 [456.21]

MIN CABINET OPENING				
	FACE FRAME	FRAMELESS	INSET FACE FRAME	INSET FRAMELESS
WIDTH	16.25 [412.75]	16.25 [412.75]	16.25 [412.75]	16.25 [412.75]
DEPTH	9.00 [228.6]	9.00 [228.6]	9.75 [247.65]	9.75 [247.65]
HEIGHT	18.00 [457.2]	18.00 [457.2]	18.00 [457.2]	18.00 [457.2]

CUSTOMER DRAWING

UNLESS OTHERWISE SPECIFIED:		Description:	
TOLERANCES = INCH/(MM) MAT. DEC. (WOOD) .XX +/- .03 [.8mm] (OTHER) .XX +/- .02 [.5mm] (ALL) .XXX +/- .005 [.13 mm] FRACTIONS +/- 1/32 [.8 mm] ANGLES +/- 1/2°		20 L PIVOT OUT WASTE CONTAINER	
First Angle Projection		PART NO. 8-700411-20	
MATERIAL	FINISH	SIZE	DWG. NO.
DO NOT SCALE DRAWING	NAME	DATE	REV
DRAWN	LCS	6-22-23	8-700411-20_cust
SCALE: 1:6		WEIGHT:	
SHEET 2 OF 2			



PROPRIETARY AND CONFIDENTIAL

This drawing is the property of Rev-A-Shelf LLC (RAS) and is disclosed in confidence to the extent its subject matter is original to RAS. Any vendor receiving this drawing from RAS shall hold and use this drawing for the sole benefit of RAS and shall not disclose it to, or use or reproduce it for any third party, or perform any act adverse to the interest of RAS with respect to this drawing without the express written permission of RAS. Vendors shall not revise any physical, dimensional or performance characteristic unless authorized by Rev-A-Shelf Engineering.

REV	DATE	BY	DESCRIPTION OF CHANGE

B

B

A

A

4

3

2

1