

# RSDS-M2

Surface Mount Downlight with PIR Motion Sensor

**NICOR**<sup>®</sup>



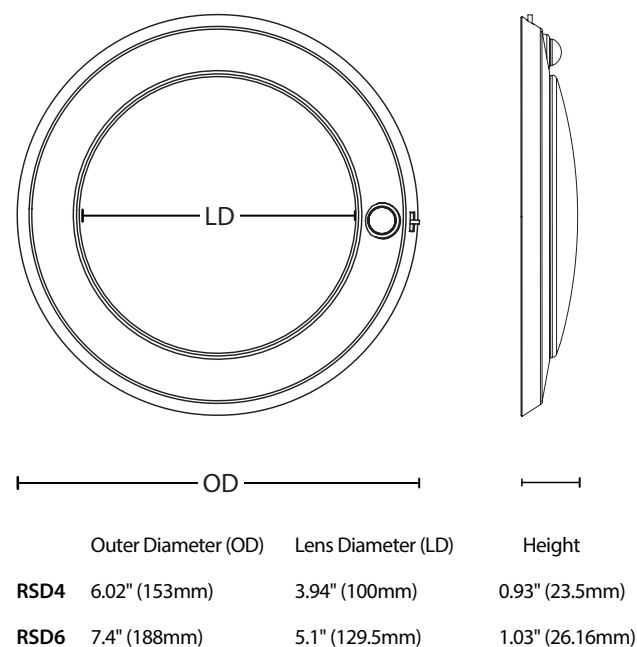


# RSDS-M2

Surface Mount Downlight with PIR Motion Sensor

The RSDS-M Surface Mount Downlight with PIR Motion Sensor is a sleek and efficient lighting solution that offers effortless automatic on/off control. With the convenience of selecting your preferred CCT (2700/3000/3500/4000/5000K) at the flip of a switch, this light adapts to your lighting needs with ease. Time control of the motion sensor provides another level of customization. The RSDS-M is ideal for providing uniform illumination and automatic controls in closets, pantries, and other similar spaces.

## Dimensions



# FEATURES

**Better Sensor Detection**  
Motion-activated light turns on automatically within 16 ft.

**Adjustable Sensor Timer**  
Set 1, 5, or 8-minute shutoff, or disable the timer.

**Better Lumen Output**  
Advanced optics and LEDs deliver brighter, more efficient, low-glare light.

## Construction

Durable steel body for long-lasting performance.

## Easy Installation

Twist-lock diffuser allows quick access and adjustment.

## Selectable CCTs

5 CCT options from warm white to daylight.



Ordering Information							Example: RSD62120S9WHM
Series	Version	Voltage	CCTs	CRI	Trim Color	Sensor	
RSD4	2	120	S (Select: 2700/3000/3500/4000/5000K)	9 (90+)	WH (White)	M	
RSD6							

Recommended Dimmers*	
Lutron Diva DVCL-153P	Leviton IPL06
Lutron Maestro MACL-153M	Lutron DIVA DVELV-300P
Eaton Cooper SLC03P	

Housing Compatibility*
4" Pancake, 4" Non-Metallic or 4/O junction boxes

\*Not a complete list. Check compatibility before installation.

- CRI 90+ R9 50**
- Lumens**  
4in 770-837  
6in 1123-1140
- Lifetime**  
>54,000 hrs
- Beam Angle**  
110°

WAREHOUSE LOCATIONS:

Albuquerque, NM  
Buford, GA  
Roseville, CA



NICOR Lighting  
2200 Midtown Place NE Albuquerque, NM 87107 USA  
[www.nicorlighting.com](http://www.nicorlighting.com) | T. 800-821-6283 F. 800-892-8393