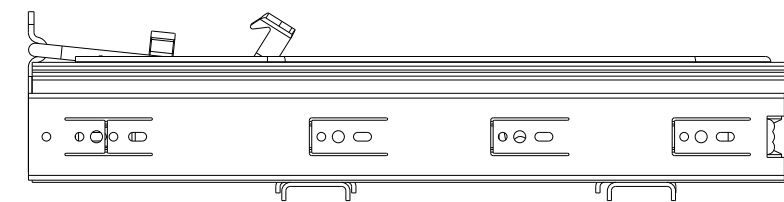
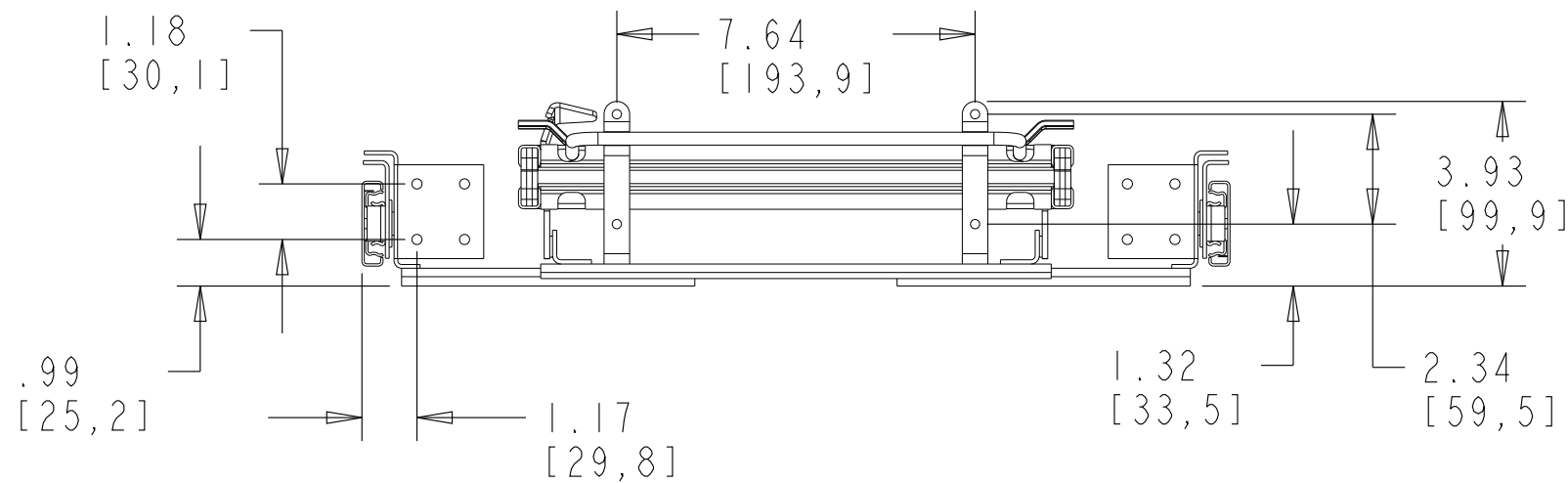
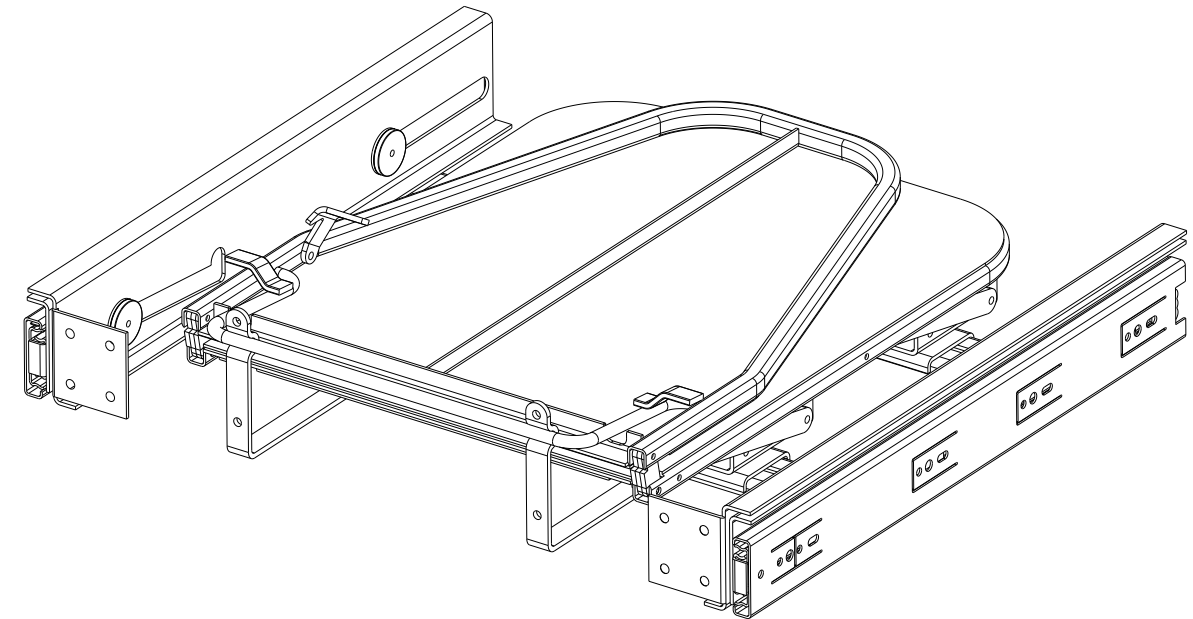
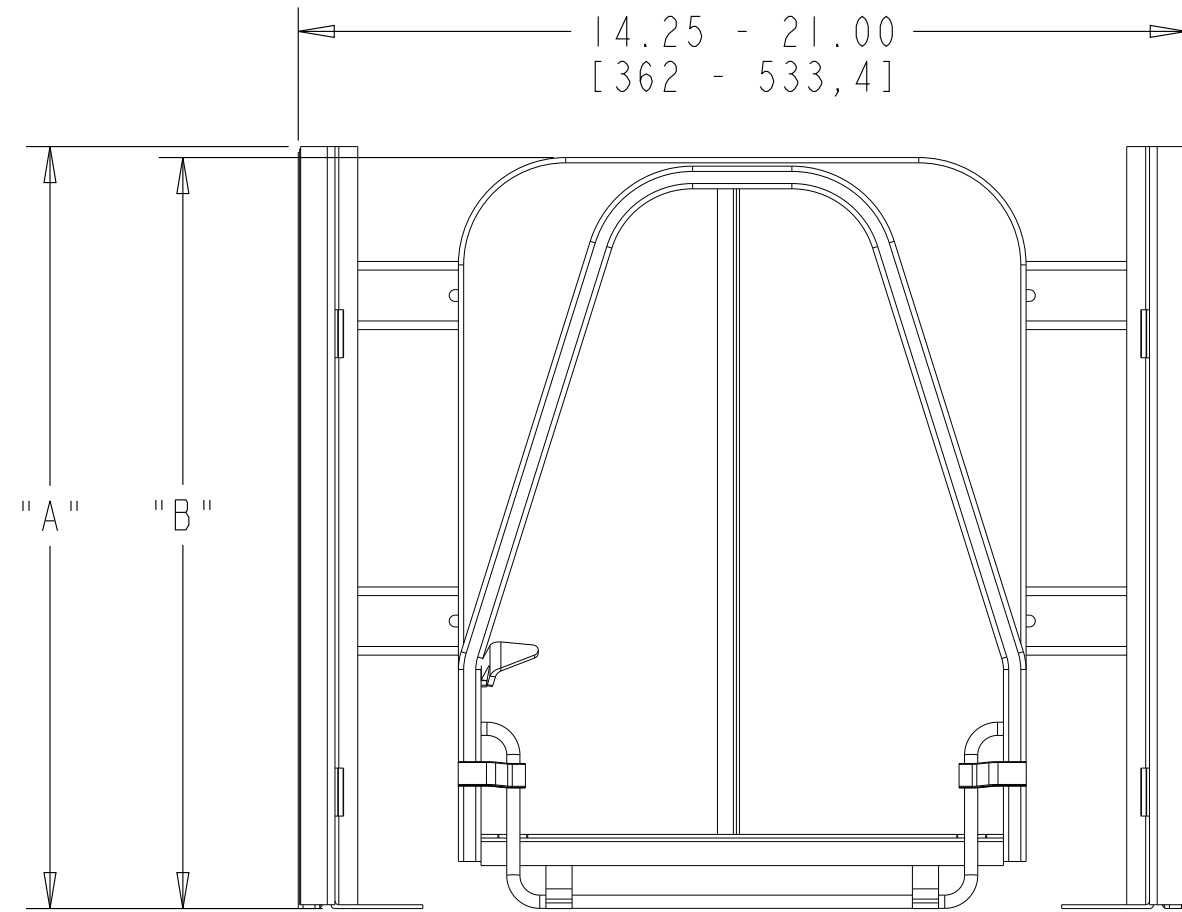


PART NO.	"A"	"B"
CIB-16CR	15.88 [403,2]	15.65 [397,4]
VIB-20CR	18.56 [471,4]	19.88 [504,8]



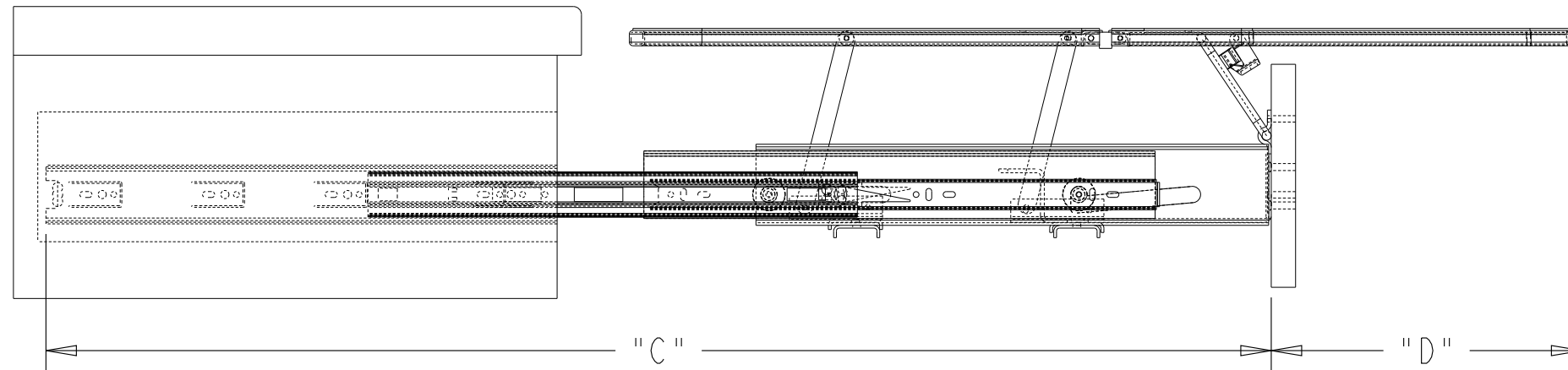
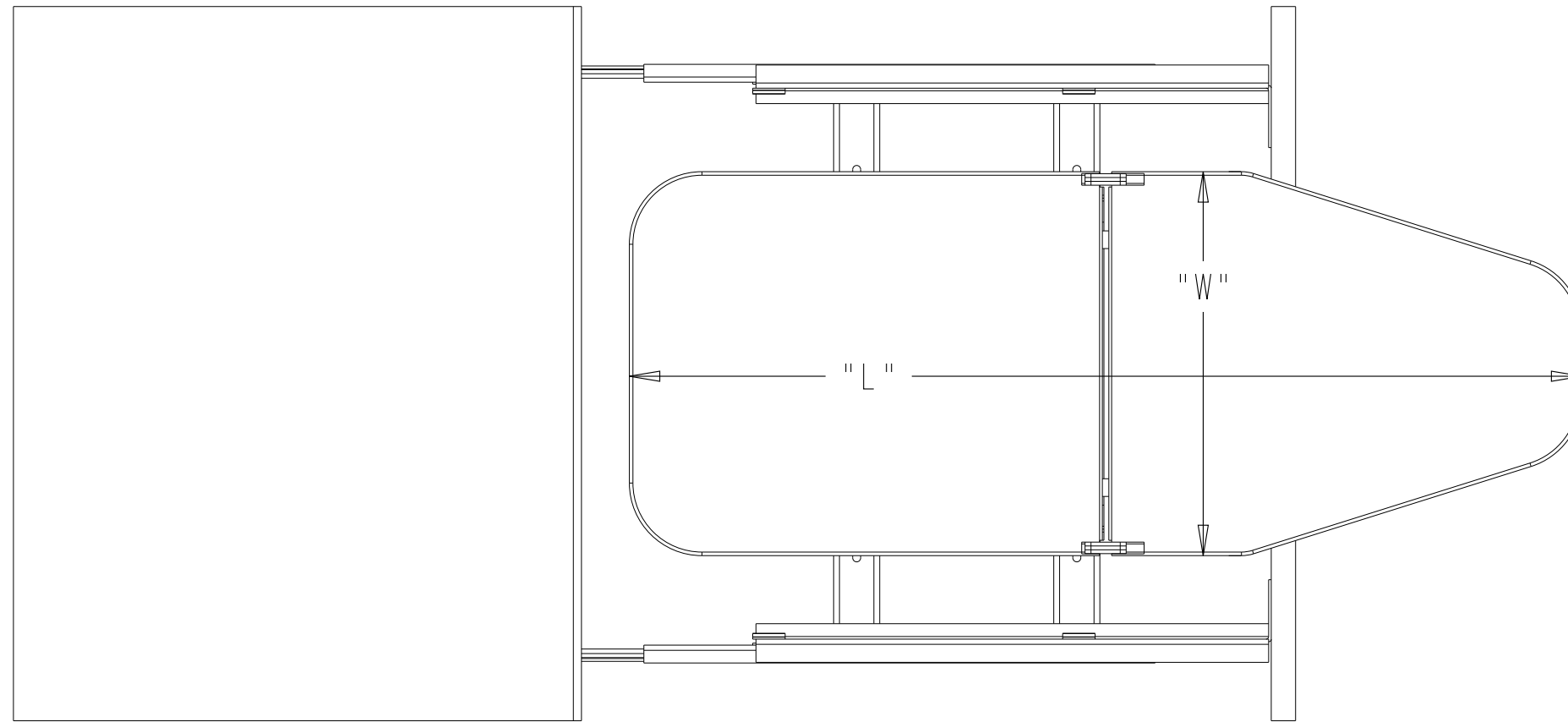
CUSTOMER DRAWING

This drawing is the property of Rev-A-Shelf (RAS) and is disclosed in confidence to the extent its subject matter is original to RAS. Any vendor receiving this drawing from RAS shall hold and use this drawing for the sole benefit of RAS and shall not disclose it to, or use or reproduce it for any third party, or perform any act adverse to the interest of RAS with respect to this drawing without the express written permission of RAS. Vendors shall not revise any physical, dimensional or performance characteristic unless authorized by Rev-A-Shelf Engineering.

REV.	DATE	BY	DESCRIPTION OF CHANGE

INCH [MM]	AMERICAN PROJECTION 	DRAWN	BY	DATE	REV-A-SHELF, INC.
		LCS	LCS	6-15-23	
TOLERANCES					SIZE
MAT.	DEC.	ANGLES ±1/2°	MATERIAL	B PULLOUT IRONING BOARD	
(WOOD) .XX ±.03 [.8mm]	(OTHER) .XX ±.02 [.5mm]		FINISH	DRAWING NO.	SCALE
(ALL) .XXX ±.005 [.13 mm]	FRACTIONS ±1/32 [.8 mm]			XIB-XXCR	0.250
PART NO.					SHEET OF
XIB-XXCR					1 3

PART NO.	"C"	"D"	"L"	"W"
CIB-16CR	37.75 [958,8]	9.57 [243,1]	29.20 [741,7]	11.80 [299,7]
VIB-20CR	43.00 [1092,2]	13.50 [342,9]	37.70 [957,6]	11.80 [299,7]

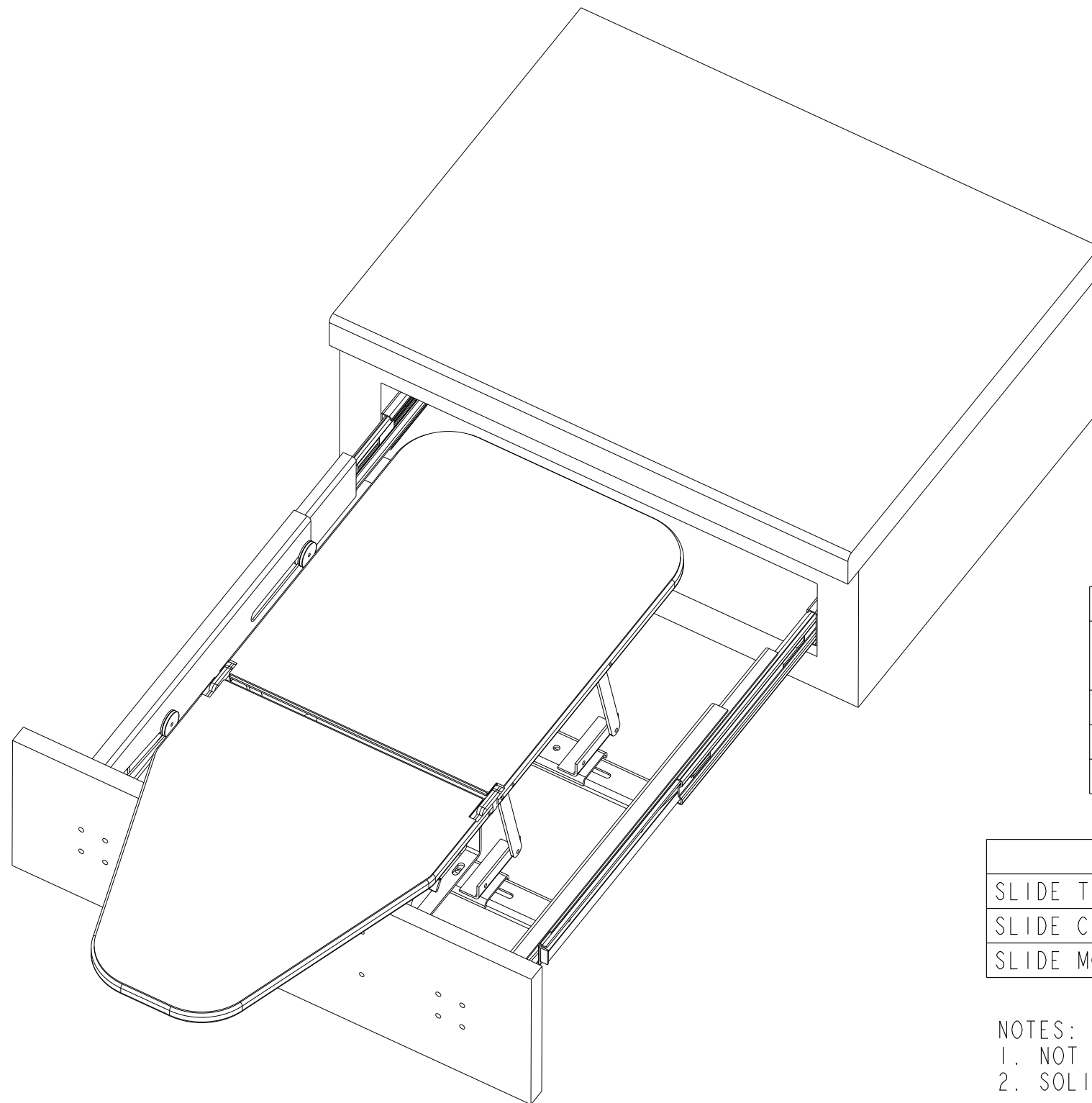


CUSTOMER DRAWING

This drawing is the property of Rev-A-Shelf (RAS) and is disclosed in confidence to the extent its subject matter is original to RAS. Any vendor receiving this drawing from RAS shall hold and use this drawing for the sole benefit of RAS and shall not disclose it to, or use or reproduce it for any third party, or perform any act adverse to the interest of RAS with respect to this drawing without the express written permission of RAS. Vendors shall not revise any physical, dimensional or performance characteristic unless authorized by Rev-A-Shelf Engineering.

REV.	DATE	BY	DESCRIPTION OF CHANGE

INCH [MM]	AMERICAN PROJECTION 	DRAWN	BY	DATE	REV-A-SHELF, INC.
		LCS	LCS	6-15-23	
TOLERANCES					SIZE
MAT. DEC. (WOOD) .XX ±.03 [.8mm] (OTHER) .XX ±.02 [.5mm] (ALL) .XXX ±.005 [.13 mm] FRACTIONS ±1/32 [.8 mm]					B
ANGLES ±1/2°					DRAWING NO.
MATERIAL					XIB-XXCR
FINISH					SCALE
PART NO.					0.200
XIB-XXCR					SHEET OF
					2 OF 3



PART NO.	"E"	"F"
CIB-16CR	15.88 [403,2]	16.00 [406,4]
VIB-20CR	19.88 [504,8]	20.00 [508]

PART DIMENSIONS		
	MIN	MAX
WIDTH	14.25 [362]	21.00 [533,4]
DEPTH	"E"	
HEIGHT	3.93 [99,9]	

MIN CABINET OPENING				
	FACE FRAME	FRAMELESS	INSET FACE FRAME	INSET FRAMELESS
WIDTH	14.25 [362]	14.25 [362]	N/A	N/A
DEPTH	"F"	"F"	N/A	N/A
HEIGHT	4.00 [101,6]	4.00 [101,6]	N/A	N/A

SLIDE SPECIFICATIONS				
SLIDE TYPE	BALL BEARING	SLIDE EXTENSION	OVER-EXTENSION	MAX WEIGHT RATING
SLIDE CLOSING	N/A	SLIDE LENGTH	"A" (PAGE 1)	
SLIDE MOUNTING	SIDE	SLIDE FINISH	ZINC	

- NOTES:
 1. NOT COMPATIBLE WITH INSET CABINETRY
 2. SOLID SURFACE COUNTER OVERLAYS CANNOT EXCEED 1-1/4"

CUSTOMER DRAWING

This drawing is the property of Rev-A-Shelf (RAS) and is disclosed in confidence to the extent its subject matter is original to RAS. Any vendor receiving this drawing from RAS shall hold and use this drawing for the sole benefit of RAS and shall not disclose it to, or use or reproduce it for any third party, or perform any act adverse to the interest of RAS with respect to this drawing without the express written permission of RAS. Vendors shall not revise any physical, dimensional or performance characteristic unless authorized by Rev-A-Shelf Engineering.

REV.	DATE	BY	DESCRIPTION OF CHANGE

INCH [MM]	AMERICAN PROJECTION	DRAWN	BY	DATE	REV-A-SHELF, INC.
			LCS	6-15-23	
TOLERANCES		MATERIAL	DRAWING NO.		SCALE
MAT.	DEC.		XIB-XXCR		0.200
(WOOD)	.XX ±.03 [8mm]	FINISH	PART NO.		SHEET 3 OF 3
(OTHER)	.XX ±.02 [5mm]		XIB-XXCR		
(ALL)	.XXX ±.005 [13 mm]				
FRACTIONS	±1/32 [8 mm]				