

## LUX Series

LED | Emergency Exit Sign



CUSTOMER NAME \_\_\_\_\_

Project Name \_\_\_\_\_

Date \_\_\_\_\_ Type \_\_\_\_\_

Catalog Number \_\_\_\_\_

- LED life-cycle exceeding 10 years
- AC or Emergency models
- Molded-in template for wall mounting, canopy included for ceiling or end mounting
- Dual-voltage 120 or 277V AC input
- Includes long-life Nickel Cadmium (NiCad) or Nickel Metal Hydride (NiMH) for UL recognized 90 minute emergency lighting
- Remote capacity or extended runtime option
- Damp Location Listed 20°C to 30°C (68°F to 86°F)

### SPECIFICATIONS

#### CONSTRUCTION

- The white or black housing is made of high impact UL flame rated thermoplastic with UV protection
- Universal single or double face

#### INSTALLATION

- Snap together canopy, housing and covers with removable chevrons for quick and easy installation

#### ELECTRICAL

- The remote capacity option will run 4 LUR single remote lamp-heads or 2 double LUR remotes
- Remote Capacity(RC) models have a minimum Exit Sign runtime of 4 hours when no remotes are installed
- Emergency version includes AC-On indicator and Push to Test Switch

#### CERTIFICATIONS

- UL924 Listed for Damp Location
- NFPA 101 and NFPA 70
- OSHA
- CEC T20 Compliant

#### WARRANTY

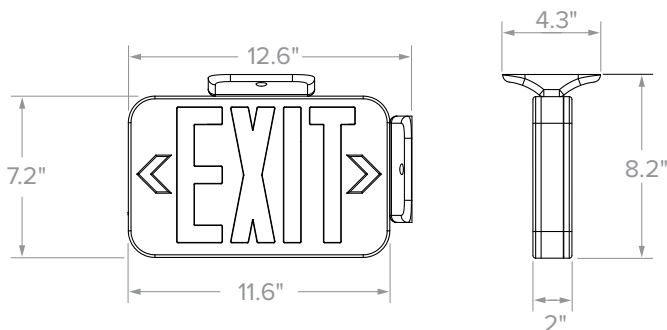
- 2 year full unit warranty
- See Lumination Standard Warranty for additional information

### ORDERING GUIDE

Catalog Number	Description
LUXAR	White Thermoplastic Exit, Universal Face, Red LED AC Only Exit
LUXER	White Thermoplastic Exit, Universal Face, Red LED Emergency Exit, NiCad Battery
LUXERRC	White Thermoplastic Exit, Universal Face, Red LED Emergency Exit, Remote Capacity, NiMH Battery
LUXAG	White Thermoplastic Exit, Universal Face, Green LED AC Only Exit
LUXEG	White Thermoplastic Exit, Universal Face, Green LED Emergency Exit, NiCad Battery
LUXEGRC	White Thermoplastic Exit, Universal Face, Green LED Emergency Exit, Remote Capacity, NiMH Battery
LUXARB	Black Thermoplastic Exit, Universal Face, Red LED AC Only Exit
LUXERB	Black Thermoplastic Exit, Universal Face, Red LED Emergency Exit, NiCad Battery
LUXAGB	Black Thermoplastic Exit, Universal Face, Green LED AC Only Exit
LUXGB	Black Thermoplastic Exit, Universal Face, Green LED Emergency Exit, NiCad Battery

\*See Accessories on Page 2

### DIMENSIONS



Single Carton Weight	2 lbs.
Master Carton Quantity	6 each



CUSTOMER NAME \_\_\_\_\_

Project Name \_\_\_\_\_

Date \_\_\_\_\_ Type \_\_\_\_\_

Catalog Number \_\_\_\_\_

### ENERGY CONSUMPTION

	120VAC	277VAC
<b>LUXAR(B)</b>	1.78W	1.88W
<b>LUXER(B)</b>	1.78W	1.88W
<b>LUXERRC</b>	3.6W	4.14W
<b>LUXAG(B)</b>	1.52W	1.48W
<b>LUXEG(B)</b>	1.49W	1.57W
<b>LUXEGRC</b>	3.28W	3.81W

### ACCESSORIES (ORDER SEPARATELY)

Catalog Number	Description
LURIS	Indoor Remote, Single Round Head, White
LURID	Indoor Remote, Double Round Head, White
LUROS	Outdoor Wet Location Remote, Single Head, White
LUROD	Outdoor Wet Location Remote, Double Head, White
LUROSB	Outdoor Wet Location Remote, Single Head, Black
LURODB	Outdoor Wet Location Remote Double Head, Black

\*Powered by LUX Emergency Light with Remote Capacity

#### Indoor Remotes



LURIS

LURID

#### Outdoor Remotes



LUROD

LUROS



LUROD

LUROS