

# SONDER

## LIVING

## EMERSON WRITING DESK

Thank you for choosing this quality product. Be sure to check all packaging materials carefully for small parts that may have loosened inside the carton during shipment and place on a non-abrasive surface.

### IMPORTANT

These parts can be cumbersome and heavy to some people, therefore, the assistance of two or more people are recommended in order to prevent personal injury and ensure the furniture is not damaged during the assembly Process.

### INSTRUCTIONS

1. For packing purpose, the door handles with keepers were removed and put in hardware bag. Open all drawer, attach the handles (1) with keepers (2) to the drawer by using the Phillips head bolts (3) provided. Repeat this steps to attach handle for other drawers. Refer to FIGURE 01.
2. Check the furniture leveling and adjust the levelers at the the bottom of the base necessary. Refer to FIGURE 02.

### TOOLS NEEDED

- Phillips Screwdriver (Not provided)



### HARDWARE LIST




| NO | DESCRIPTION   | QTY |
|----|---|-----|
| 1  |  HANDLE             | 3   |
| 2  |  KEEPER            | 6   |
| 3  |  PHILLIPS HEAD BOLT | 6   |

FIGURE 01

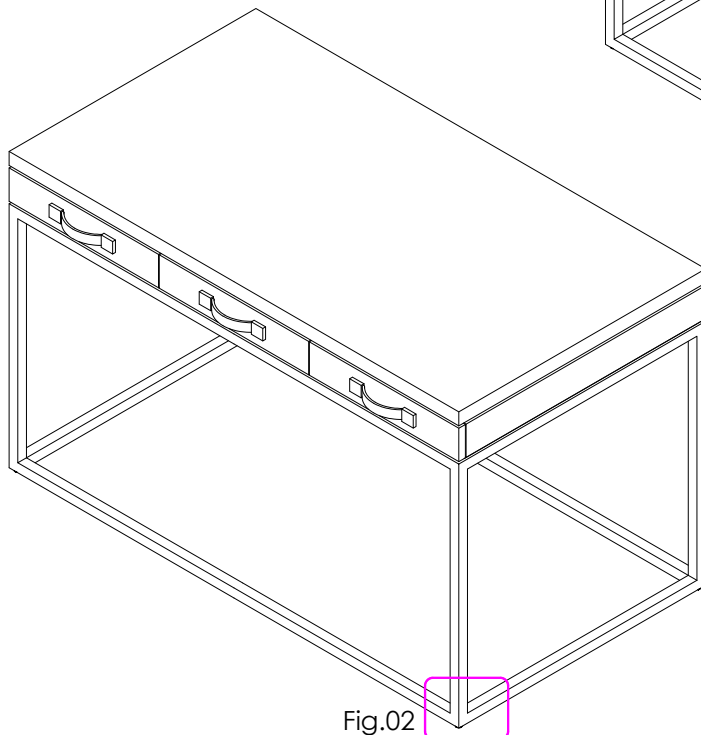
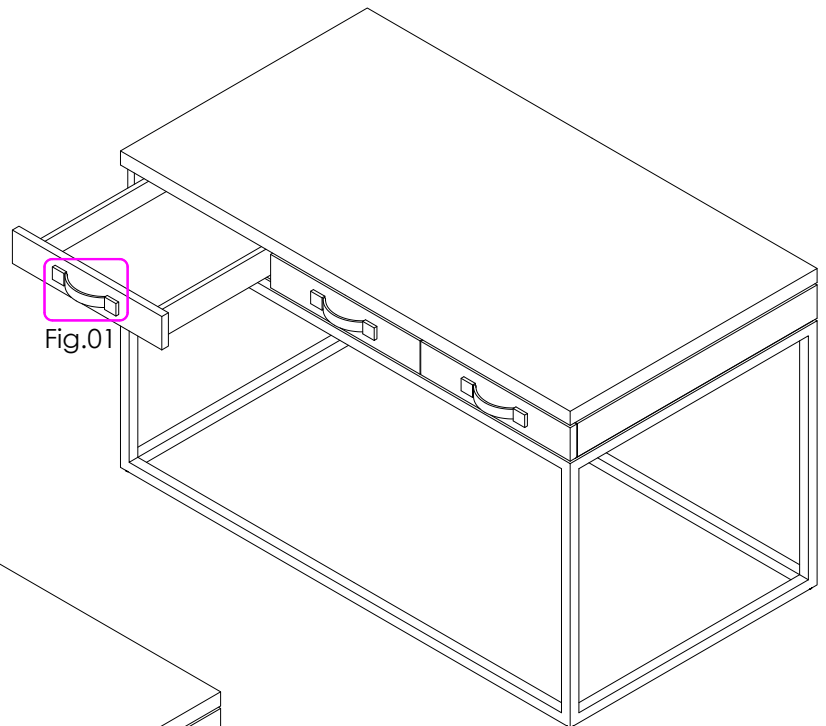
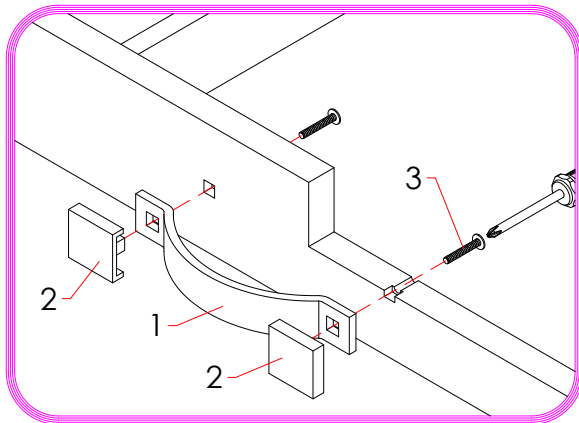
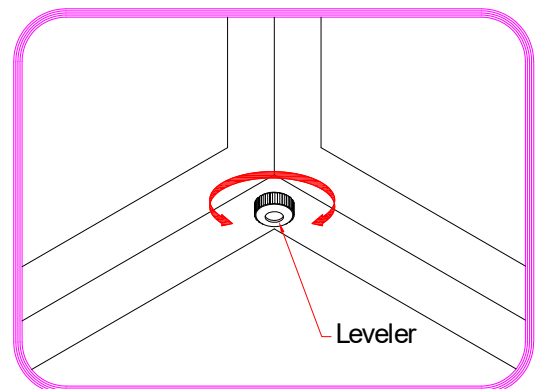


FIGURE 02



### IMPORTANT SAFETY INSTRUCTIONS

1. Please read all instructions carefully before assembling.
2. For your safety, assembly by two or more adults is strongly recommended.
3. Keep instructions for future use.
4. Use only vendor supplied hardware to assemble. Using unauthorized hardware could jeopardize the structural integrity of the item.