

Lumination[®] LED Luminaire

PWS Series



BEFORE YOU BEGIN

Read these instructions completely and carefully.

⚠ WARNING/AVERTISSEMENT

RISK OF ELECTRIC SHOCK

- Turn power off before inspection, installation or removal.
- Properly ground electrical enclosure.

RISK OF FIRE

- Follow all NEC and local codes.
- Use only UL approved wire for input/output connections. Minimum size 18 AWG (0.75mm²).
- Do not install insulation within 3 inches (76 mm) of luminaire top.

RISQUES DE DÉCHARGES ÉLECTRIQUES

- Coupez l'alimentation avant d'inspecter, installer ou déplacer le luminaire.
- Assurez-vous de correctement mettre à la terre le boîtier d'alimentation électrique.

RISQUES D' INCENDIE

- Respectez tous les codes NEC et codes locaux.
- N'utilisez que des fils approuvés par UL pour les entrées/sorties de connexion. Taille minimum 18 AWG (0.75mm²).
- Maintenir une distance de 76 mm (3 pouces) entre le luminaire et l'isolant.

Save These Instructions

Use only in the manner intended by the manufacturer. If you have any questions, contact the manufacturer.

This device complies with Part 15 of the FCC Rules. Operation is subject to the following two conditions: (1) This device may not cause harmful interference, and (2) this device must accept any interference received, including interference that may cause undesired operation. CAN ICES-005 (A) / NMB-005 (A)

Note: This equipment has been tested and found to comply with the limits for a Class A digital device, pursuant to part 15 of the FCC Rules. These limits are designed to provide reasonable protection against harmful interference when the equipment is operated in a commercial environment. This equipment generates, uses, and can radiate radio frequency energy and, if not installed and used in accordance with the instruction manual, may cause harmful interference to radio communications. Operation of this equipment in a residential area is likely to cause harmful interference in which case the user will be required to correct the interference at his own expense.

Prepare Electrical Wiring



Electrical Requirements

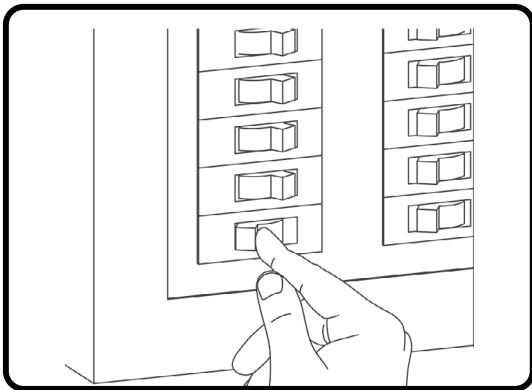
The LED luminaire must be connected to the mains supply according to its ratings on the product label.



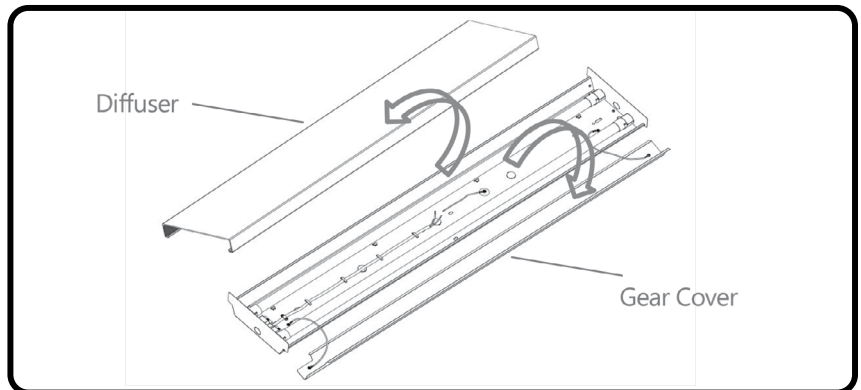
Grounding Instructions

The grounding and bonding of the overall system shall be done in accordance to local electric code of the country where the luminaire is installed.

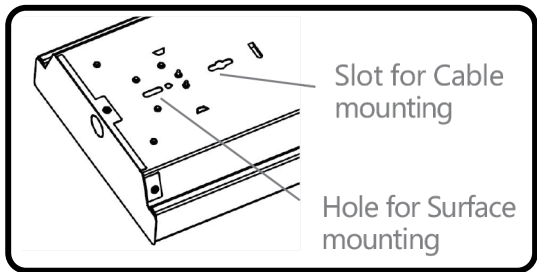
Installation for standalone fixture



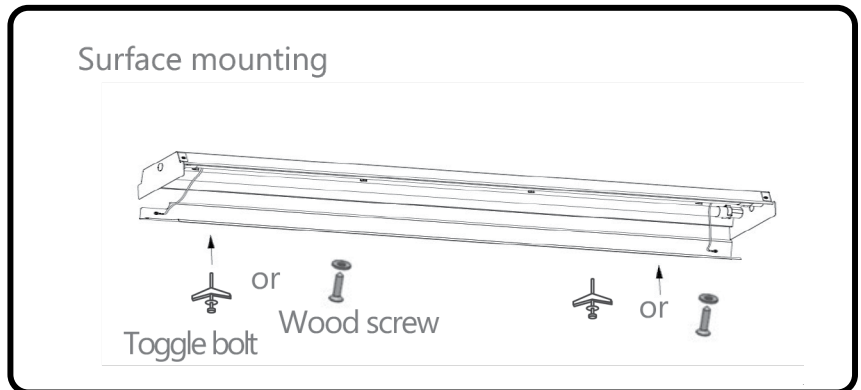
1 For safety, turn off main power prior to installation.



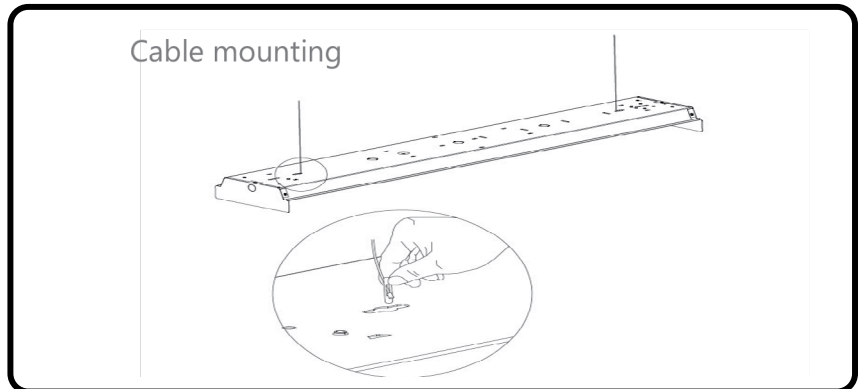
2 Carefully remove the diffuser from the fixture. Then remove the gear cover. Warning: DO NOT install the fixture if the diffuser or the tube is broken. Contact GE Current, a Daintree company for technical support.



Separately ordered toggle/cable



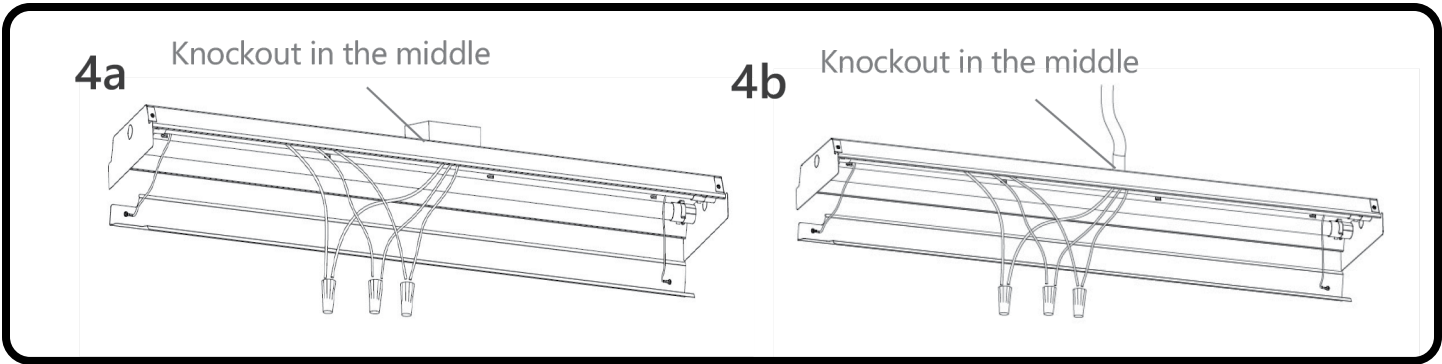
DESCRIPTION		PRODUCT ORDER CODE
Toggle/ Suspension Cable 5'	CABLE HANGER,GRIPPLE,XP2TG-5FT300MMPAIR	PRT0202
Toggle/ Suspension Cable 10'	CABLE HANGER,GRIPPLE,XP2TG-10FT300MMPAIR	PRT0203
Toggle/ Suspension Cable 15'	CABLE HANGER,GRIPPLE,XP2TG-15FT300MMPAIR	PRT0204



3 Hang the fixture by the cable/toggle (order separately) or mount it directly to ceiling using appropriate hardware (not included).

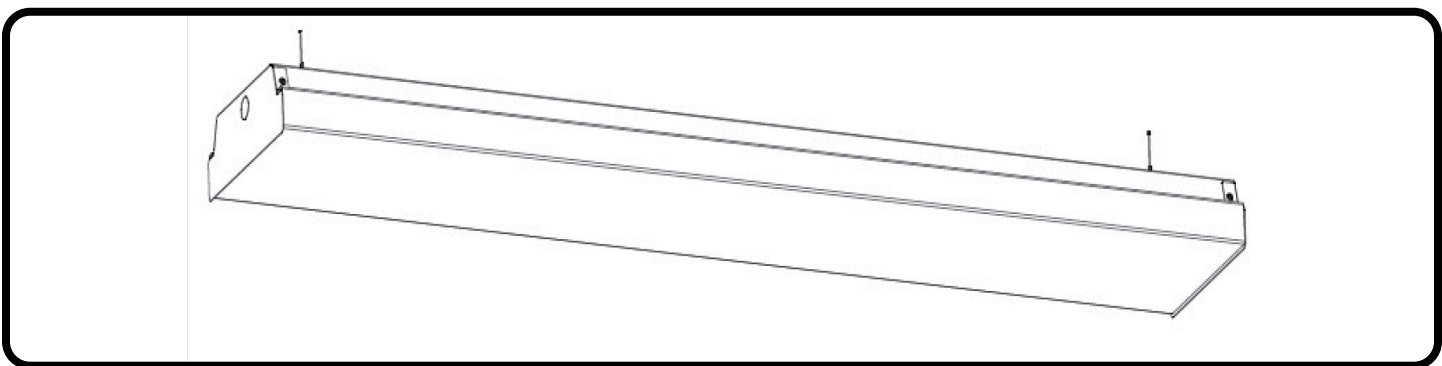
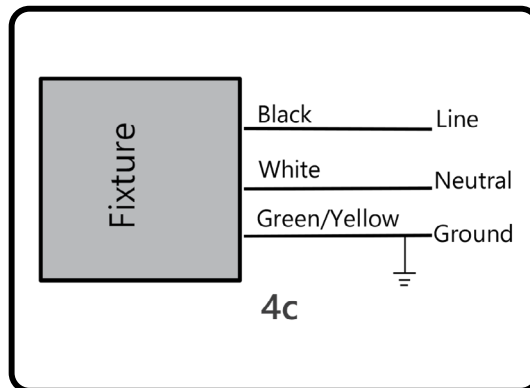
Cable Mounting: Hang a pair of cables from the ceiling and pass both paddles through slots on top of fixture.

Surface Mounting: Install fixture to intended surface using mounting holes on both ends of fixture with appropriate mounting hardware. If mounting into a joist, use 2 wood screws and 2 washers to attach to joist. If joist is not available, use 2 toggle bolts and 2 washers to attach to plasterboard. Make sure the mounting surface can support the weight of the fixture.



- ④ 4a. Surface mounting: Remove the knockout in the middle of the top surface of the fixture. Install the grommet (provided) on the knockout, then pull out the wires from the outlet box through the grommet.
- 4b. Cable mounting: Remove the knockout in the middle of the top surface of the fixture. Connect the conduit to the fixture. Connect the line to the black wire and neutral to the white wires of the fixture using UL listed 14-18AWG wire connectors. Connect the ground wire to the green grounding wire of the fixture.

Refer to wiring diagram 4c



- ⑤ Replace the gear cover and diffuser.