



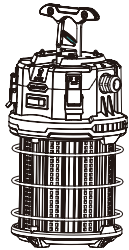
WARNING: When using outdoor use portable luminaires, basic safety precautions should always be followed to reduce the risk of fire, electric shock, and personal injury, including the following:

Read All Instructions

- This product should be installed, inspected, and maintained by a qualified electrician only, in accordance with the NEC (National Electric Code) and all local codes.
- Disconnect electrical power to fixture and follow proper lockout/tag out procedures before inspection, installation or maintenance.
- The LED driver must be supplied with 120-277VAC, 50/60 Hz. Make sure the supply voltage is the same as the rated voltage of the luminaire.
- Use only three-wire cords that have three-prong grounding plugs and grounding receptacles that accept the appliance's plug.
- Ambient temp: -40°F to 113°F (-40° to 45°C)

SAVE THESE INSTRUCTIONS

What's In The Box



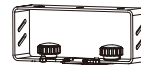
One (1) UWL

Tools Needed

A Phillips head screwdriver will be needed to install the UWL.



Available Accessories



UWL1MOUNTBRKTNK
Mounting Bracket



UWL1FLOORSTANDOR
Floor Stand

Installation



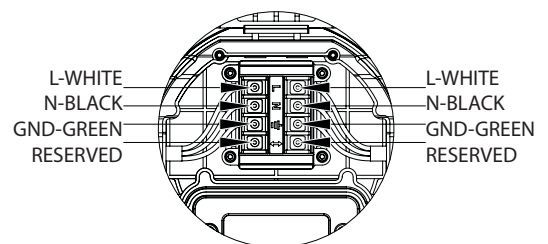
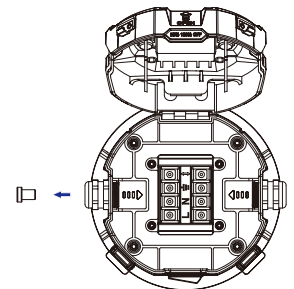
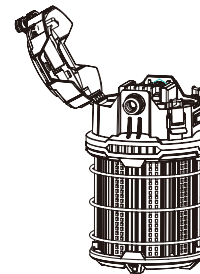
Make sure all power is turned off before beginning installation

1 Preparation

- Shut off power to desired circuit before any work. Identify and prepare location for installation.
- Carefully unpack the fixture from its packaging and inspect product for defects due to shipping.

2 Wiring

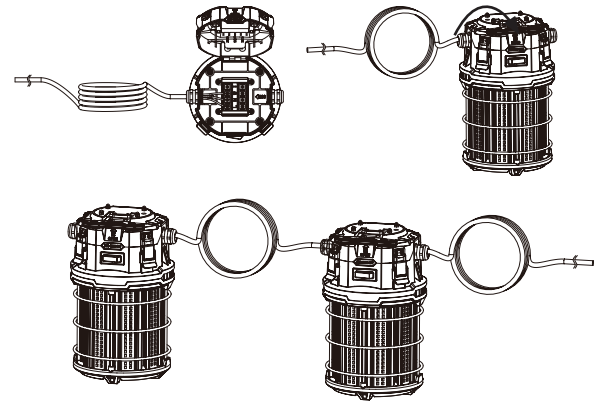
- Open the two (2) locking latches and open the top of the fixture.
- Loosen the waterproof connectors and remove the rubber plugs from the desired wiring position.
- Recommended wiring with 18ga SJ or similarly rated cord. Strip back wire ends 1/2" max.
- Install the wiring through the connector and into the terminal block. Loosen the screw and insert the stripped wire under the metal plate. Pay attention to symbols on the terminal block to ensure proper polarity of wiring.



2 Wiring (continued)

- After wiring is complete, tighten the waterproof connector, close the fixture cover and fasten with the latches.
- Lights can be daisy-chained per the following chart:

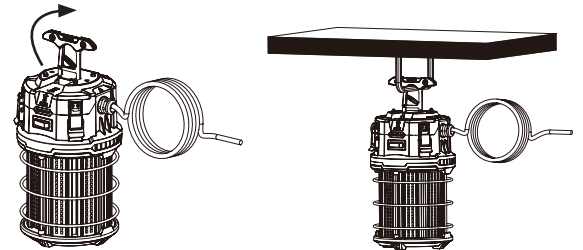
Wattage	Linkable Qty
100W	8 pcs
150W	5 pcs



3 Installation

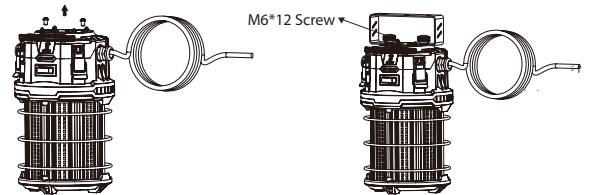
Hanging Hook

- Stand up the metal hook on the top of the fixture.
- Identify the structure (ring, hook, cable, etc.) to mount the fixture.
- Open the snap latch and hang the fixture on the structure. Ensure the latch closes fully.



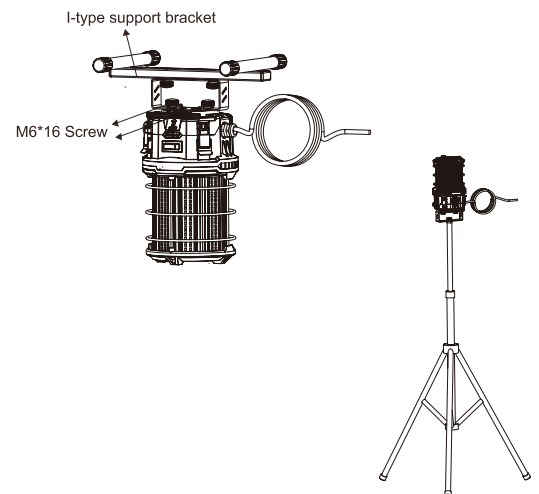
Floor Stand

- Remove two (2) silicone plugs from the top of the fixture.
- Install the metal connecting bracket to the top of the fixture with two M6x12 screws.
- Install the floor stand to the connecting bracket with two M6x16 screws.



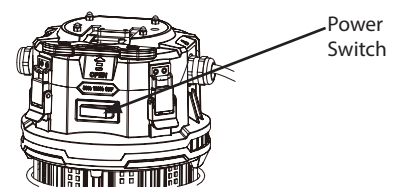
Tripod

- Installation to a tripod (provided by others) is possible using the metal connecting bracket.
- The connecting point of the tripod can be inserted through the center hole of the connecting bracket and tightened down.



Operation

- After the fixture is wired into supply power (hardwired or cord-and-plug) the fixture can be controlled with the switch on the side of the unit. The switch can be set to OFF/50%/100%.
- Activate the switch to the desired setting.





Subject to the exclusions below, each NICOR LED product, including the LED electronics and components of a property installed NICOR LED product, will be free from defect in materials and workmanship for a period of five (5) years from the original date of purchase. The product shall be considered defective only if 10% or more of the product's LED components fail. NICOR LED product warranty covers the following performance criteria: LED Light Output will be maintained above 70% of initial output; LED color temperature will not shift more than 200K in CCT; LED driver will operate within NICOR specifications; and the fixture finish, excluding natural aluminum or brass products, will not exhibit cracking, peeling, excessive fading, or corrosion during the warranty period. Exceptions apply as defined in NICOR's product specification sheets, which are incorporated by reference herein.

This limited warranty is provided to you, the purchaser of the product identified on Seller's invoice, as your exclusive remedy and applies only to NICOR products that have been purchased from an authorized NICOR Distributor; the product was new and in an unopened NICOR package at the time of installation; and the NICOR product was installed by a licensed electrician or under the supervision of a licensed electrician and used by consumers in the United States or Canada when accompanied with this warranty. This warranty extends only to the first consumer purchaser and is not transferable. A consumer wishing to invoke the terms of this limited warranty must first obtain a RGA number within 30 days of discovery of the defect, and return the product to NICOR for inspection. Once verified to be covered by this limited warranty, NICOR will, at its sole discretion, repair, replace, or refund the purchase price of any product that does not conform to this limited warranty. If NICOR, at its sole discretion, determines that the product should be repaired or replaced, this warranty is limited to the reasonable, customary, and necessary costs and expenses associated with the repair/replacement. This warranty requires that all repair/replacement estimates and costs, including but not limited to equipment rental (if any), and any other cost or expense to be incurred in the repair/replacement of the product, be approved in advance and in writing by NICOR. FAILURE TO OBTAIN NICOR'S ADVANCE WRITTEN APPROVAL OF ALL REPAIR/REPLACEMENT COSTS AND EXPENSES IN WRITING SHALL VOID THIS LIMITED WARRANTY.

THIS LIMITED WARRANTY DOES NOT COVER THE FOLLOWING:

- Defects or damages resulting from improper installation, operation, storage, misuse or abuse, accident, or neglect;
- Defects or damages resulting from improper service, testing, adjustment, installation, maintenance, alteration, connection to out-of-specification electrical service, corrosive or damp environments, or connection to incompatible equipment or devices (e.g., connecting non-dimmable lighting products to dimmers);
- Damage which occurs in transit;
- Power surges or overheating due to external conditions
- Acts of nature including but not limited to lightning strikes

ANY IMPLIED WARRANTIES, INCLUDING WITHOUT LIMITATION, THE IMPLIED WARRANTIES OF MERCHANTABILITY AND FITNESS FOR A PARTICULAR PURPOSE SHALL BE LIMITED TO THE DURATION OF THIS LIMITED WARRANTY, OTHERWISE THE REPAIR, REPLACEMENT, OR REFUND AS PROVIDED UNDER THIS EXPRESS LIMITED WARRANTY IS THE EXCLUSIVE REMEDY OF THE CONSUMER, AND IS PROVIDED IN LIEU OF ALL OTHER WARRANTIES, EXPRESS OR IMPLIED. IN NO EVENT SHALL NICOR BE LIABLE, WHETHER IN CONTRACT OR IN TORT (INCLUDING NEGLIGENCE) FOR DAMAGES IN EXCESS OF THE PURCHASE PRICE OF THE PRODUCT, OR FOR ANY INDIRECT, INCIDENTAL, SPECIAL OR CONSEQUENTIAL DAMAGES OF ANY KIND, OR LOSS OF REVENUE OR PROFITS, LOSS OF BUSINESS OR OTHER FINANCIAL LOSS ARISING OUT OF OR IN CONNECTION WITH THE ABILITY OR INABILITY TO USE THE PRODUCT TO THE FULL EXTENT THESE DAMAGES MAY BE DISCLAIMED BY LAW

This device complies with part 15 of the FCC Rules. Operation is subject to the following two conditions: (1) This device may not cause harmful interference, and (2) this device must accept any interference received, including interference that may cause undesired operation.

NOTE: This equipment has been tested and found to comply with the limits for a Class B digital device, pursuant to part 15 of the FCC Rules. These limits are designed to provide reasonable protection against harmful interference in a residential installation. This equipment generates, uses and can radiate radio frequency energy and, if not installed and used in accordance with the instructions, may cause harmful interference to radio communications. However, there is no guarantee that interference will not occur in a particular installation. If this equipment does cause harmful interference to radio or television reception, which can be determined by turning the equipment off and on, the user is encouraged to try to correct the interference by one or more of the following measures:

- Reorient or relocate the receiving antenna.
- Increase the separation between the equipment and receiver.
- Connect the equipment into an outlet on a circuit different from that to which the receiver is connected.
- Consult the dealer or an experienced radio/TV technician for help.