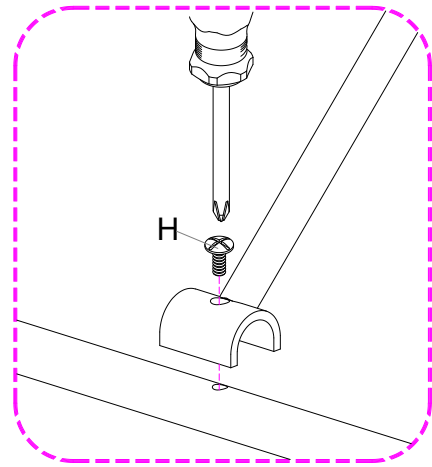
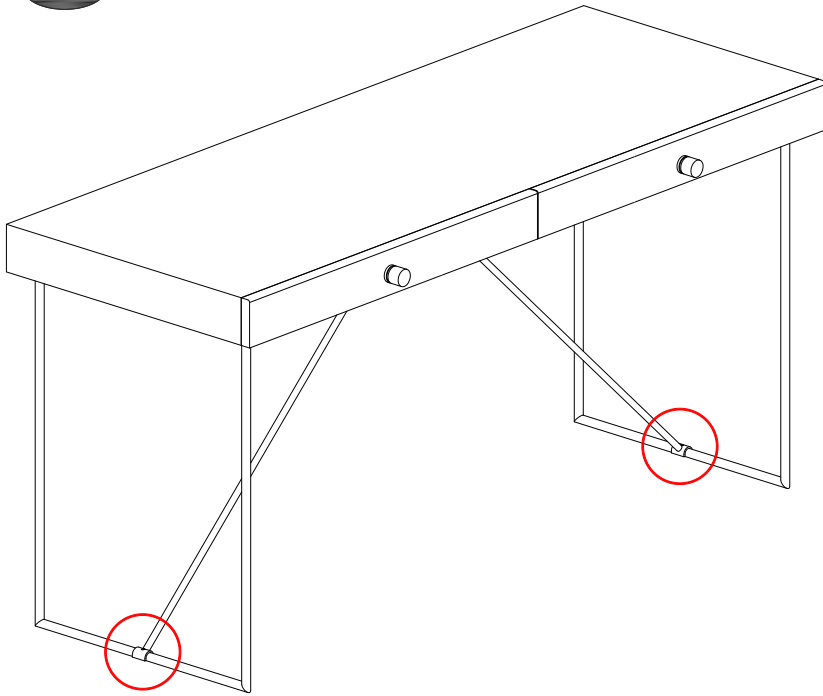


A		1
B		2
C		2
D		20
E		20
F		20
G		1
H		2
I	 (Not Provided)	1

3



4

