

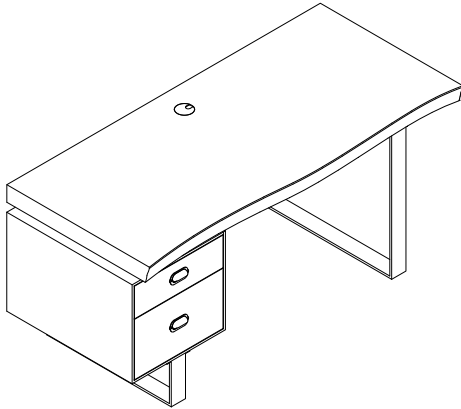
# SONDER

LIVING

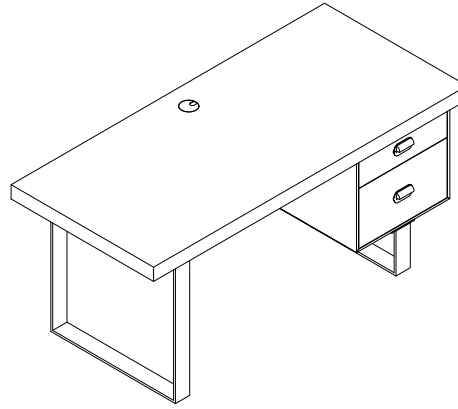
CHARLES DESK - SINGLE PED

IMPORTANT: DETERMINE OPTION

OPTION A

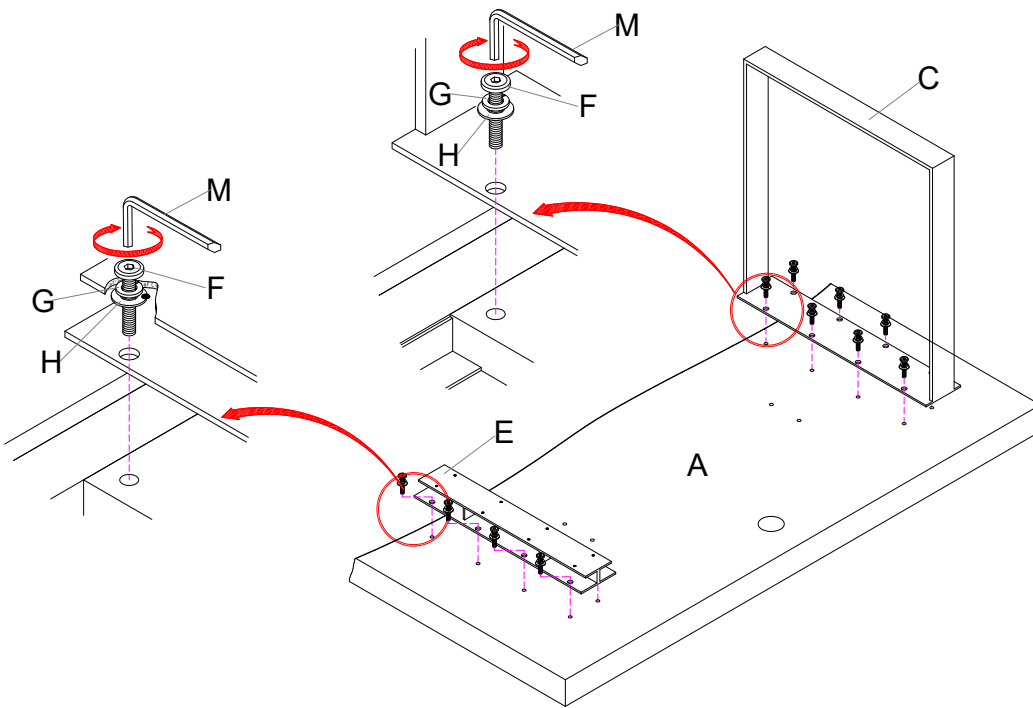


OPTION B



A	1
B	1
C	1
D	1
E	1
F	18
G	18
H	18

**1**

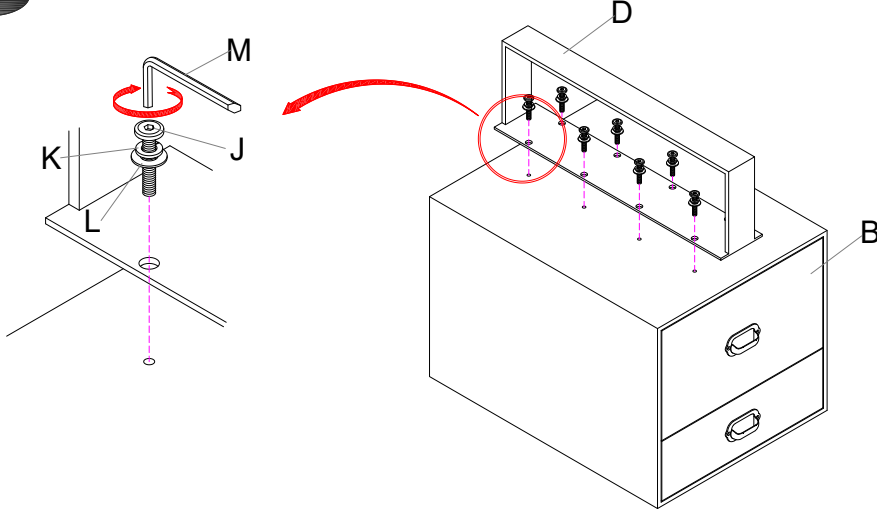


# SONDER

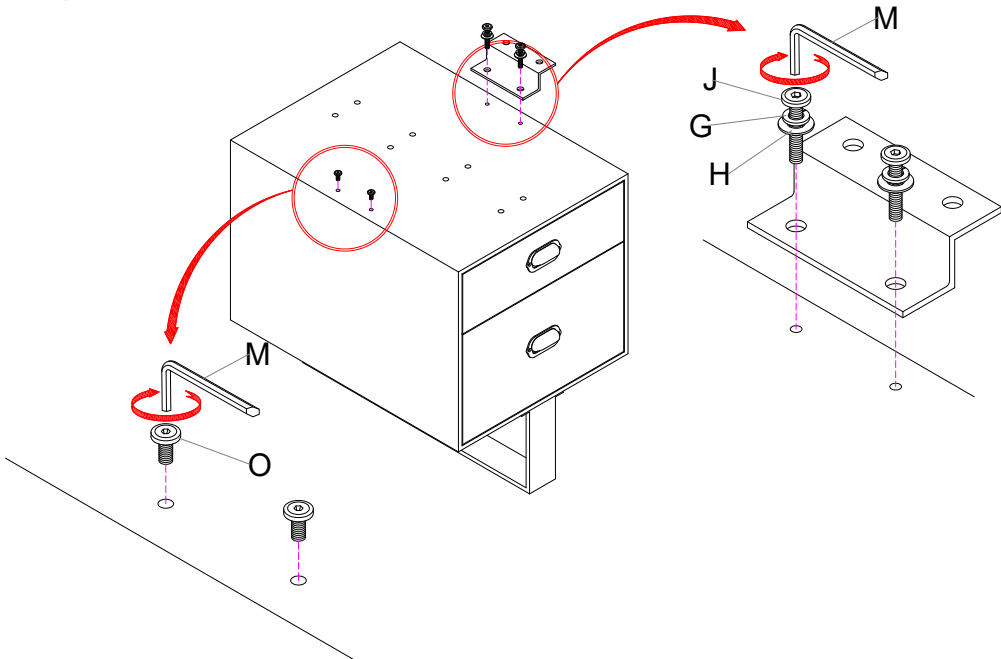
LIVING

CHARLES DESK - SINGLE PED

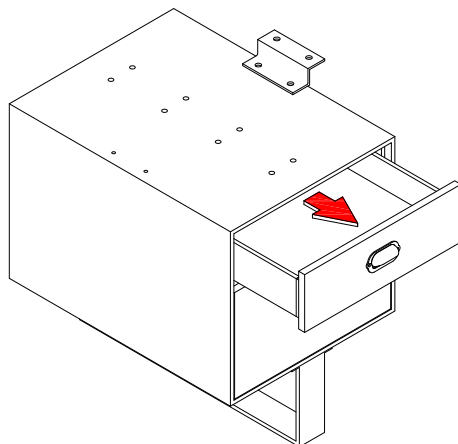
2

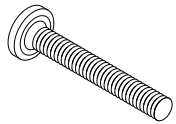
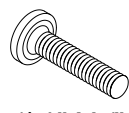
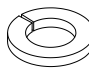

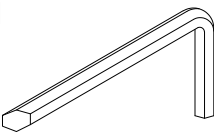
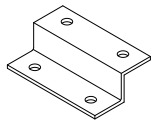
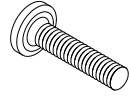


3

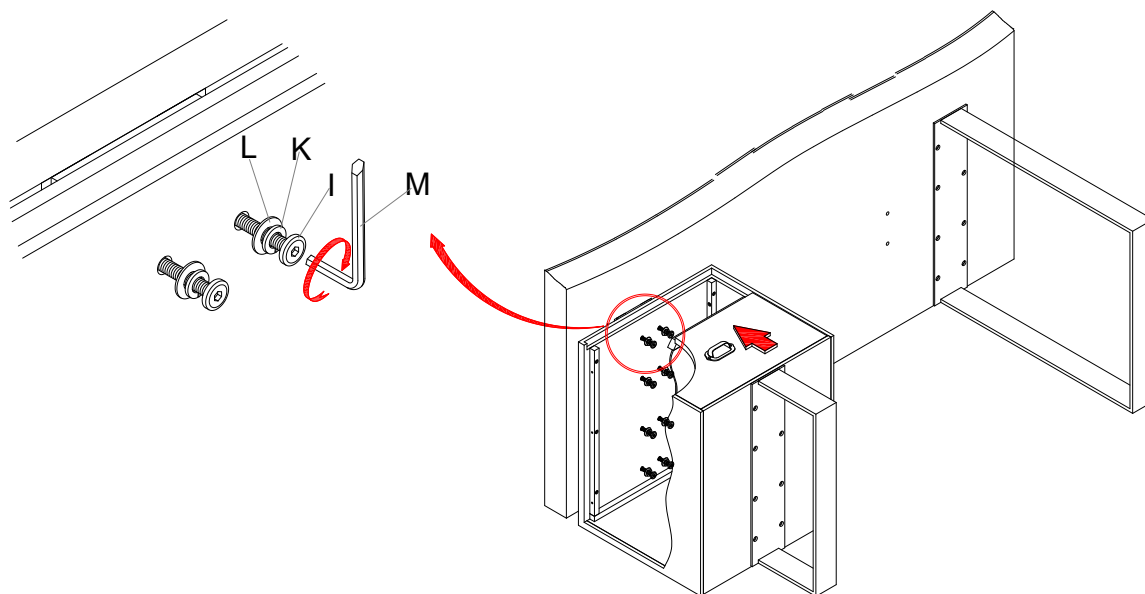


4

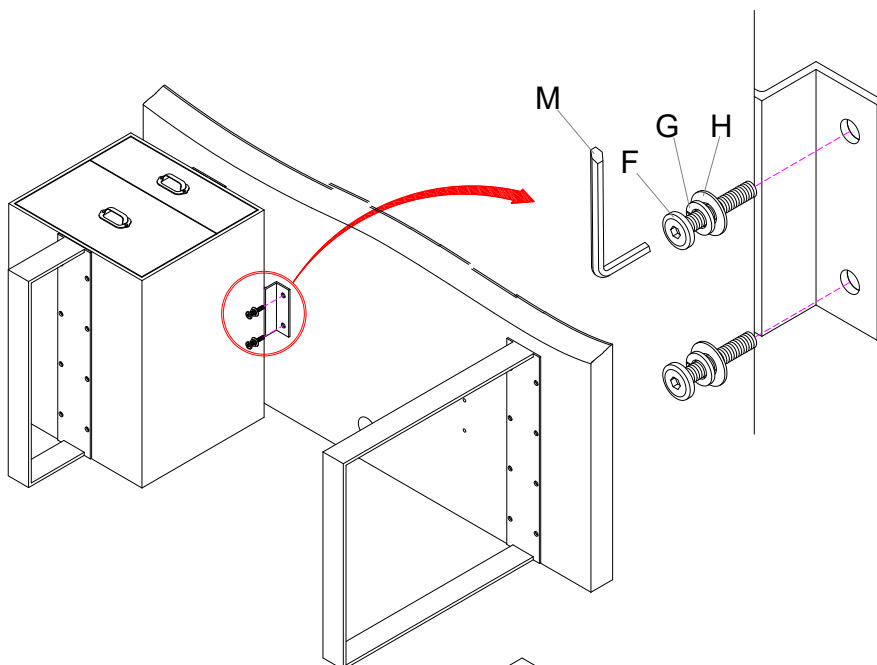


I		8
	1/4" X 1-3/8"	
J		10
	1/4" X 1"	
K		18
	Ø10 X Ø6.5MM	
L		18
	Ø19 X Ø6.5MM	
M		1
N		1
O		2
	1/4" X 1/2"	

5



6



7

