

NLCSPFW1WH

NLC Wireless Integrated Low-Voltage PIR/Daylight Sensor

Product Description

The NLCSPFW1WH is an integrated low-voltage Bluetooth wireless PIR/Daylight sensor. It provides 360° coverage at heights ranging from 15 to 18ft with a coverage area extending out to 32ft (when mounted at a 18ft height). The NLCSPFW1WH comes factory installed on mid-range luminaires. Pair it with the NLCPS1 as a power supply/fixture controller (integral to luminaire from factory). Setup and commissioning requires the NICOR NLC mobile app (iOS and Android compatible).

Construction

- Housing material is made of UL94-5VA
- IP20

Network Technology

- Bluetooth Low Energy (BLE) 4.2 with mesh networking
- Bluetooth range: up to 100ft (line of sight)
- Commissioned via NICOR NLC app (iOS **and** Android compatible)
- UL1376 Cyber Security Certification

Electrical

- Input voltage: 12V DC 12mA 0.15W
- Rated current: 25mA
- Operating temperature rating: -40°F to 131°F (-40°C to 55°C)
- Operating humidity: 0 - 80%

Product Compatibility

- TGL & TGLS
- T7C & T7CS

Listings

- cULus Recognized Component LED Controller E504054
- UL8750
- RoHS

Project _____

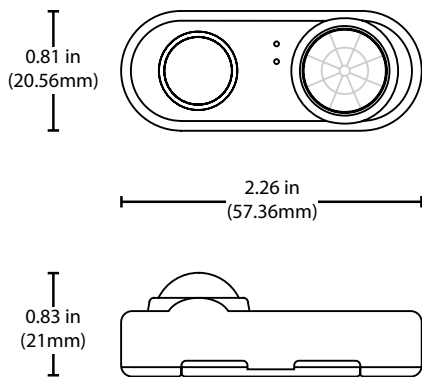
Catalog _____

Type _____

Date _____



Dimensions



Ordering Information

Example: NLCSPFW1WH

Series	Product	Sensor Type	Mounting Type	Connector Type	Version	Finish
NLC	S (Sensor)	P (PIR)	F (Frame Mount)	W (Wired)	1	WH (White)

Specifications and dimensions subject to change without notice.

NLCSPFW1WH

NLC Wireless Integrated Low-Voltage PIR/Daylight Sensor

Performance Data

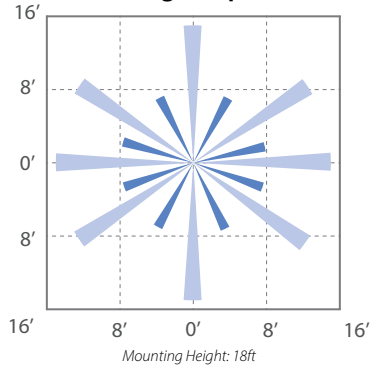
NLCSPFW1WH - Medium Mount

Mounting Height: **15ft to 18ft**

Designed for mounting height between 15ft and 18 ft, with coverage area upto 32ft in diameter when mounted at 18ft.

Application: 360° coverage, suitable for open area and aisleway coverage in high bay application.

Coverage: Top View



Coverage: Side View

