

DGD2

2" Gimbal Recessed LED Downlight

Product Description

The DGD LED Downlight Gimbal Series offers a line of gimbal downlights that simplify installing tailored lighting in challenging locations. The high performing light engine with off-board driver allows for more flexible installations and increased lifetime with improved thermal management. The DGD fixture uses a plenum-rated cable connector to link the downlight module to the remote driver box and then pops into place with its adjustable, spring-loaded retention tabs for a secure fit, eliminating the need for a J-box or recessed housing. Adding directional lighting for architectural accent in areas such as living rooms, hallways, stairways and corridors is now easier than ever.

Construction

- Cast aluminum trim routes heat away from electrical components
- Adjustable, spring loaded retention tabs ensure secure fixture retention
- Certified for direct contact with insulation

Optical System

- COB with greater than 90 CRI and an R9 greater than 50
- TIR optic provides smooth, uniform light with a 41° beam angle
- 32° Tilt with 360° rotation

Electrical

- Off-board driver minimizes installation height and maximizes fixture life through improved heat management
- 120V input to driver
- Dimmable to less than 5% with compatible TRIAC dimmers
- Operating temperature rating of 0°F to 120°F (-18°C to 49°C)
- Lifetime rated for greater than 54,000 hours
- LM-79, LM-80 testing performed in accordance with IESNA standards

Finish

- Exterior white powder coat finish
- Also available in Black, Oil-Rubbed Bronze, and Nickel

Installation

- Spring loaded retention arms allow for easy installation into ceilings up to 5/8" thick with no need for a recessed housing
- Off-board driver/junction box includes three 1/2" KOs and three-port poke-in connectors
- Extension power cables (10', 20') available
- Suitable for wet locations

Warranty

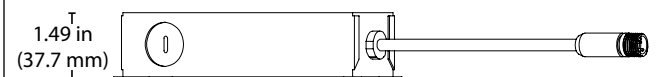
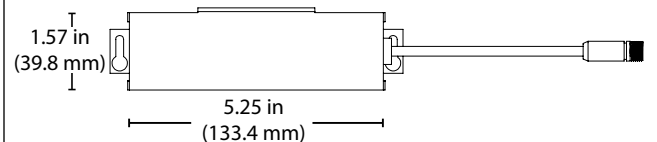
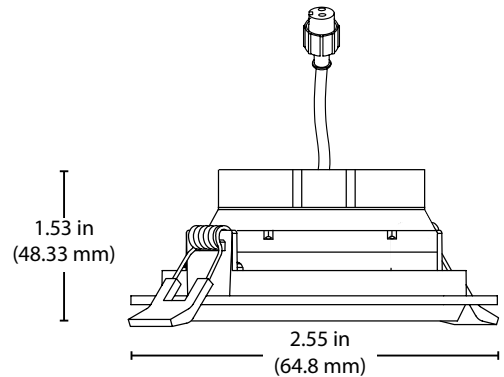
- 5-year limited system warranty standard
- Warranty does not cover product failure due to an overvoltage event (power surge)
- For installations where power surge may be possible, NICOR recommends installing additional surge protection at the electrical distribution panel

Project

Catalog

Type

Date

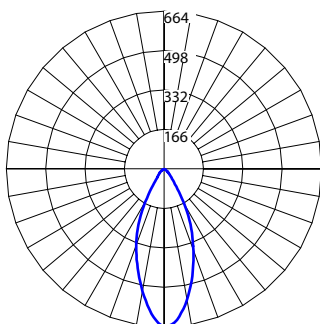


* T24 not available in 5000K

Photometric Data

DGD2 2700K

Input Voltage (VAC)	120V
System Level Power (W)	4.8
Delivered Lumens (Lm)	356
System Efficacy (Lm/W)	74
Correlated Color Temp (K)	2716
Color Rendering Index (CRI)	90
Beam Angle	41°
Spacing Criteria	0.62



Intensity Summary (Candle Power)

Angle	Mean CP
0	664
5	647
15	490
25	216
35	58
45	17
55	7
65	3
75	2
85	0
90	0

CCT Data Multiplier

DGD211203KRD	1.029
DGD211204KRD	1.056
DGD211205KRD	1.078

Cone of Light Tabulation

Mounted height (Feet)	Footcandles Beam Center	Diameter (Feet)
4	41.5	3.0
6	18.4	4.5
8	10.4	6.0
10	6.6	7.5
12	4.6	9.0
14	3.4	10.5
16	2.6	12.0

Zonal Lumen Summary

Zone	Lumens	% of Luminaire
0-30	293	82.3%
0-40	331	93.0%
0-60	351	98.5%
0-90	356	100.0%
90-180	0	0.0%
0-180	356	100.0%

Performance Data - Round

Model Number	Lumens	Watts	Lumens/Watt
DGD211202KRD	356	4.8	74.2
DGD211203KRD	366	4.8	76.3
DGD211204KRD	376	4.8	78.3
DGD211205KRD	384	4.8	80.0

Recommended Dimmers*

**Not a complete list.
Check compatibility before installation.*

Legrand Adorne sofTap 3411108
Lutron Maestro MACL-153M
Lutron Skylark SCL-153P
Lutron CASETA PD-10XN
Lutron DIVA DVCL-153P
Lutron RADIO RA RRD-6CL
Cooper E95219
GE ZW3005

Ordering Information

Example: DGD21203KRDWH

Series	Version	Housing Input Voltage	CCT's	Shape	Trim Color
DGD2	1 (Version 1)	120 (V)	2K (2700K)	RD (Round)	WH (White)
			3K (3000K)		BK (Black)
			4K (4000K)		NK (Nickel)
			5K (5000K)		OB (Oil-Rubbed Bronze)

Specifications and dimensions subject to change without notice.

Accessories

10' Extension Cable	DRIVER-EXTCABLE-10
20' Extension Cable	DRIVER-EXTCABLE-20