

PART NO.	FINISH
597-12-52	WHITE
597-12CR-52	CHROME

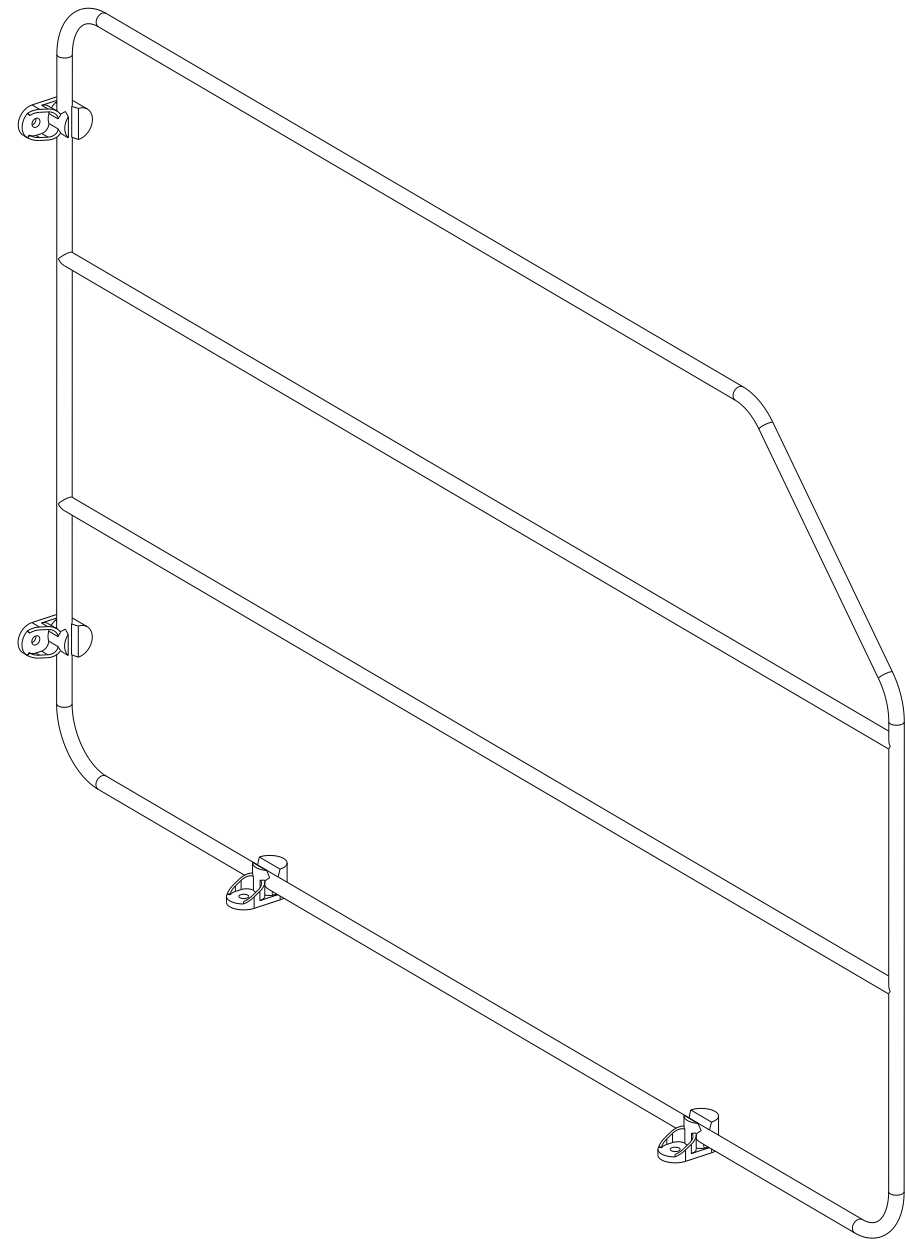
NOTE: FEET CAN BE PLACED ANYWHERE ALONG WIRE AS NEEDED FOR CUSTOMER APPLICATION.

CUSTOMER DRAWING

This drawing is the property of Rev-A-Shelf (RAS) and is disclosed in confidence to the extent its subject matter is original to RAS. Any vendor receiving this drawing from RAS shall hold and use this drawing for the sole benefit of RAS and shall not disclose it to, or use or reproduce it for any third party, or perform any act adverse to the interest of RAS with respect to this drawing without the express written permission of RAS. Vendors shall not revise any physical, dimensional or performance characteristic unless authorized by Rev-A-Shelf Engineering.

REV.	DATE	BY	DESCRIPTION OF CHANGE

INCH [MM]	AMERICAN PROJECTION	DRAWN	BY	DATE	REV-A-SHELF, INC.
		LCS		8/01/22	
TOLERANCES		MATERIAL	DRAWING NO.		SCALE
MAT.	DEC.		597-12**-52		
(WOOD)	.XX ±.03 [.8mm]	FINISH	PART NO.		SHEET OF
(OTHER)	.XX ±.02 [.5mm]		597-12**-52		
(ALL)	.XXX ±.005 [.13 mm]				
FRACTIONS	±1/32 [.8 mm]				



PART NO.	FINISH
597-12-52	WHITE
597-12CR-52	CHROME

This drawing is the property of Rev-A-Shelf (RAS) and is disclosed in confidence to the extent its subject matter is original to RAS. Any vendor receiving this drawing from RAS shall hold and use this drawing for the sole benefit of RAS and shall not disclose it to, or use or reproduce it for any third party, or perform any act adverse to the interest of RAS with respect to this drawing without the express written permission of RAS. Vendors shall not revise any physical, dimensional or performance characteristic unless authorized by Rev-A-Shelf Engineering.

PART DIMENSIONS	
WIDTH	0.93 [23,7]
DEPTH	19.66 [499,4]
HEIGHT	12.16 [304,8]

MIN CABINET OPENING				
	FACE FRAME	FRAMELESS	INSET FACE FRAME	INSET FRAMELESS
WIDTH	3.00 [76,2]	3.00 [76,2]	3.00 [76,2]	3.00 [76,2]
DEPTH	19.75 [502]	19.75 [502]	20.50 [521]	20.50 [521]
HEIGHT	12.25 [311]	12.25 [311]	12.25 [311]	12.25 [311]

SLIDE SPECIFICATIONS				
SLIDE MANUFACTURER	N/A			
SLIDE PART NUMBER	N/A	RELEASE PART NUMBER	N/A	
SLIDE TYPE	N/A	SLIDE EXTENSION	N/A	MAX WEIGHT RATING
SLIDE CLOSING	N/A	SLIDE LENGTH	N/A	
SLIDE MOUNTING	N/A	SLIDE FINISH	N/A	N/A

CUSTOMER DRAWING

REV.	DATE	BY	DESCRIPTION OF CHANGE	INCH [MM]	AMERICAN PROJECTION	DRAWN	BY	DATE	REV-A-SHELF, INC.	
							LCS	8/01/22	SIZE B	12" TRAY DIVIDER W/ CLIPS
				TOLERANCES					DRAWING NO.	SCALE
				MAT. DEC. (WOOD) .XX ±.03 [.8mm] (OTHER) .XX ±.02 [.5mm] (ALL) .XXX ±.005 [.13 mm] FRACTIONS ±1/32 [.8 mm]		ANGLES ±1/2°			597-12**-52	0.375
									PART NO.	SHEET OF
									597-12**-52	2 OF 2