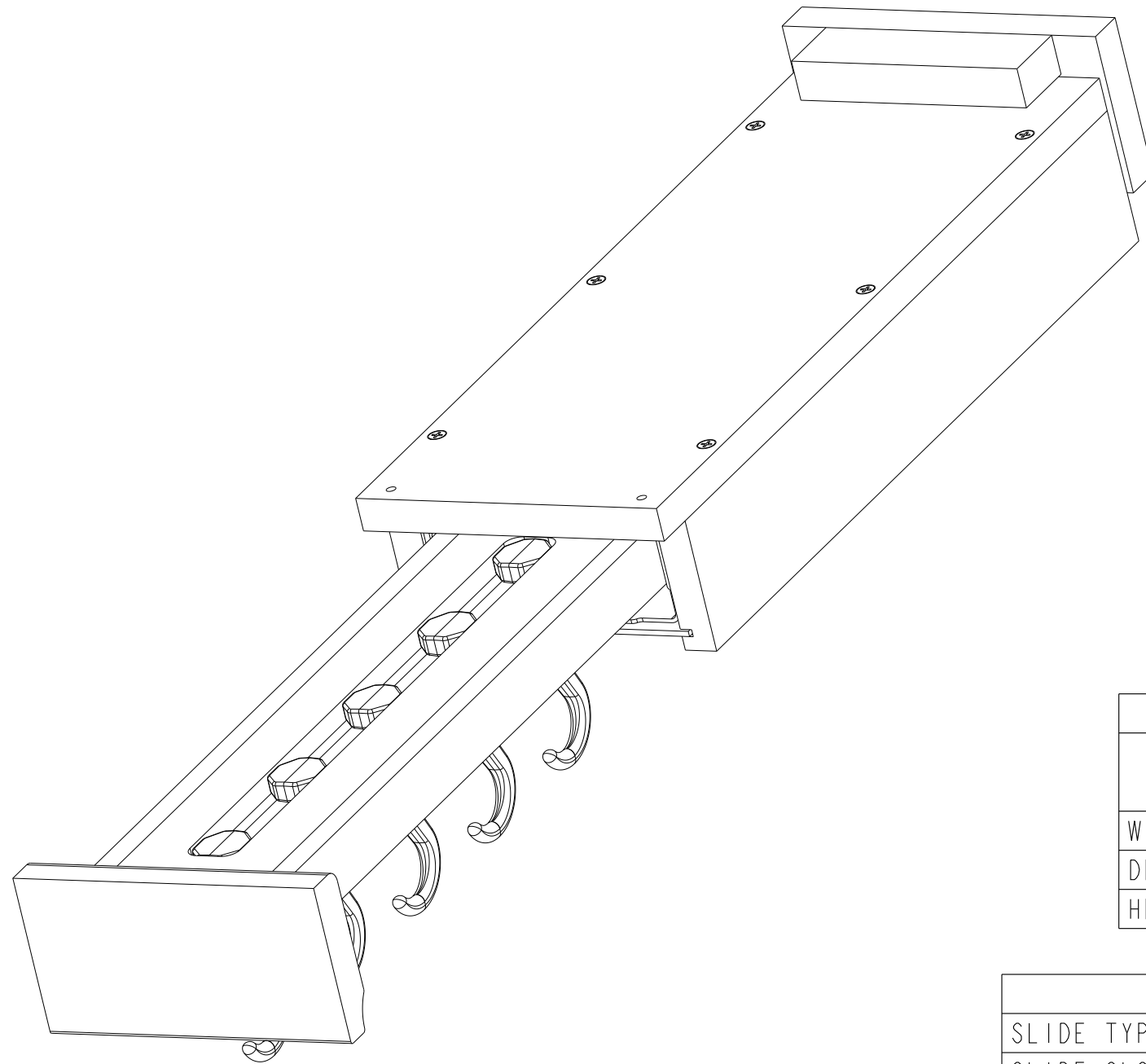


CUSTOMER DRAWING

This drawing is the property of Rev-A-Shelf (RAS) and is disclosed in confidence to the extent its subject matter is original to RAS. Any vendor receiving this drawing from RAS shall hold and use this drawing for the sole benefit of RAS and shall not disclose it to, or use or reproduce it for any third party, or perform any act adverse to the interest of RAS with respect to this drawing without the express written permission of RAS. Vendors shall not revise any physical, dimensional or performance characteristic unless authorized by Rev-A-Shelf Engineering.

REV.	DATE	BY	DESCRIPTION OF CHANGE

INCH [MM]	AMERICAN PROJECTION	BY	DATE	REV-A-SHELF, INC.	
		JMW	9/25/17		
TOLERANCES		DRAWN	MATERIAL	SIZE	GLIDEWARE BLUM SOFT CLOSE 16"
MAT.	DEC.			FINISH	DRAWING NO.
(WOOD)	.XX ±.03 [.8mm]	ANGLES ±1/2°	PART NO.	GLD-W16-BC-5_CUST	0.325
(OTHER)	.XX ±.02 [.5mm]			GLD-W16-BC-5_CUST	SHEET OF
(ALL)	.XXX ±.005 [.13 mm]			1	2
FRACTIONS	±1/32 [.8 mm]				



PART DIMENSIONS		
	MIN	MAX *
WIDTH	6.00 [152,4]	6.25 [158,8]
DEPTH	16.00 [406,4]	16.71 [424,4]
HEIGHT	5.04 [128]	5.84 [148,3]
WEIGHT	9 LB	
DIAMETER	N/A	
RADIUS	N/A	

* MAX INCLUDES OPTIONAL REAR MOUNTING BRACKET

MIN CABINET OPENING				
	FACE FRAME	FRAMELESS	INSET FACE FRAME	INSET FRAMELESS
WIDTH	N/A	N/A	N/A	N/A
DEPTH	16.71 [424,4]	16.00 [406,4]	17.46 [443,5]	16.75 [425,5]
HEIGHT	N/A	N/A	N/A	N/A

SLIDE SPECIFICATIONS				
SLIDE TYPE	BLUM UNDERMOUNT	SLIDE EXTENSION	FULL	MAX WEIGHT RATING
SLIDE CLOSING	SOFT-CLOSE	SLIDE LENGTH	13.77" [350MM]	
SLIDE MOUNTING	SIDE	SLIDE FINISH	ZINC	100 LB

NOTE: MCO DIMENSIONS ARE DEPENDENT ON WHAT ACCESSORIES YOU INTEND ON HANGING ON PRODUCT

CUSTOMER DRAWING

This drawing is the property of Rev-A-Shelf (RAS) and is disclosed in confidence to the extent its subject matter is original to RAS. Any vendor receiving this drawing from RAS shall hold and use this drawing for the sole benefit of RAS and shall not disclose it to, or use or reproduce it for any third party, or perform any act adverse to the interest of RAS with respect to this drawing without the express written permission of RAS. Vendors shall not revise any physical, dimensional or performance characteristic unless authorized by Rev-A-Shelf Engineering.

REV.	DATE	BY	DESCRIPTION OF CHANGE

INCH [MM]	AMERICAN PROJECTION	DRAWN	BY	DATE	REV-A-SHELF, INC.
			JMW	9/25/17	
			SIZE	GLIDEWARE BLUM SOFT CLOSE 16"	
			MATERIAL	DRAWING NO.	SCALE
			FINISH	GLD-W16-BC-5-CUST	0.375
				PART NO.	SHEET 2 OF 2
				GLD-W16-BC-5-CUST	

TOLERANCES
 MAT. DEC.
 (WOOD) .XX ±.03 [.8mm]
 (OTHER) .XX ±.02 [.5mm]
 (ALL) .XXX ±.005 [.13 mm]
 FRACTIONS ±1/32 [.8 mm]

ANGLES
 ±1/2°