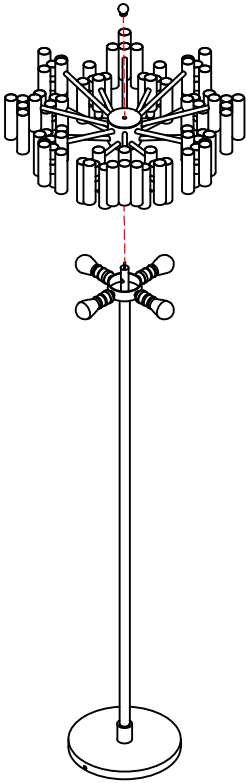


THE ROYAL MAROC FLOOR LAMP

FIGURE 1:





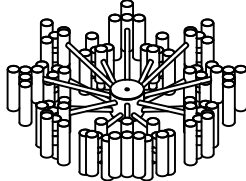

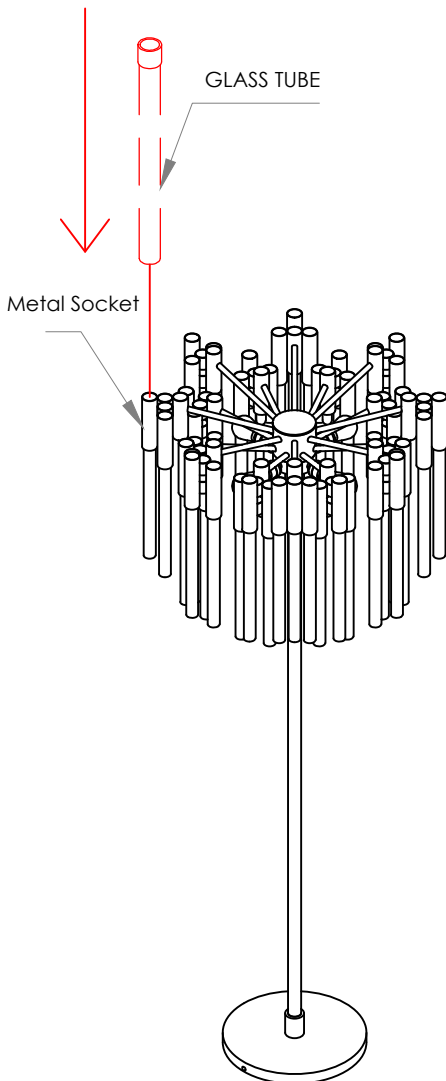
A		FINIAL
B		LAMP BASE
C		TOP DECO
D		GLASS TUBE 48 PCS

FIGURE 2:



INSTRUCTIONS

1. Align and insert the Top deco spider ring into the threaded nipple of the harp and secure these with the finial FIGURE 1.
2. Install Type A 14-W fluorescent bulb into the lamp-holder. Insert the glass tubes into the metal sockets FIGURE 2 .Note: Adjust glass tube vertical direction

CARE INSTRUCTIONS:

Avoid the use of all polishers, cleaners, and abrasives, as they will damage the finish of your lamp. To remove dust or fingerprints, wipe gently with a soft, clean cloth.