

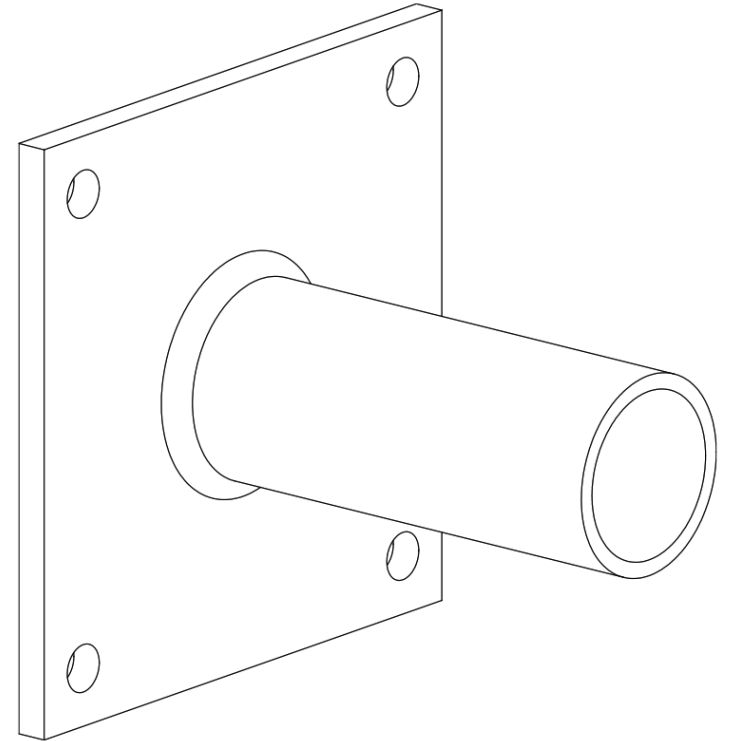
GE **current**

a Daintree company

Wall Mount Bracket (WMB) Install Guide



Please read these instructions completely and carefully before installation



Warnings/Cautions

WARNING

Risk of electrical shock or fire. To reduce risk of electric shock or fire disconnect the wiring from supply circuit before installation.

CAUTION

Risk of injury. Wear safety glasses and gloves during installation.

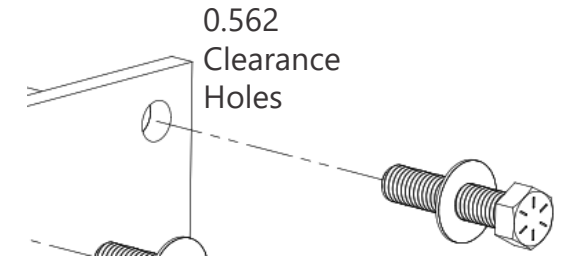
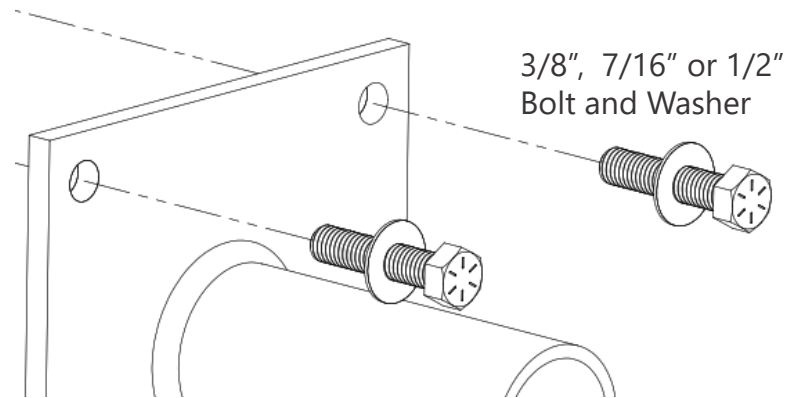
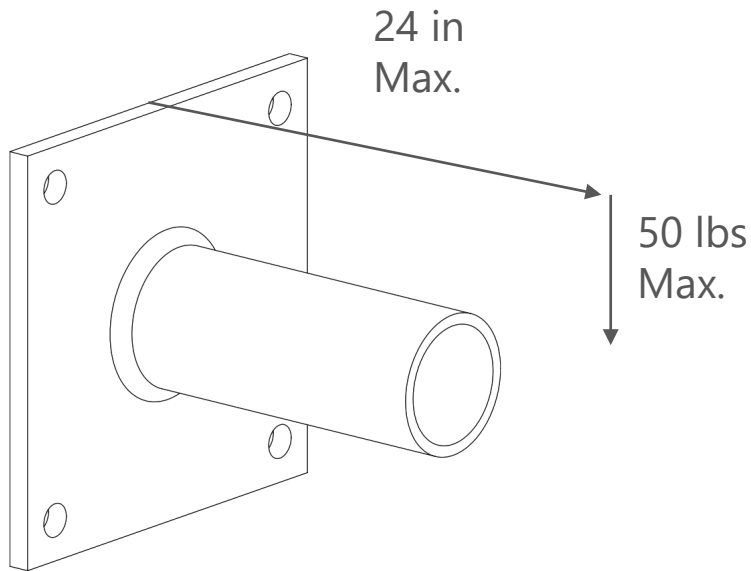
WARNING

Risk of injury or damage. Unit will fall if not installed properly. Follow installation instructions.

WARNING

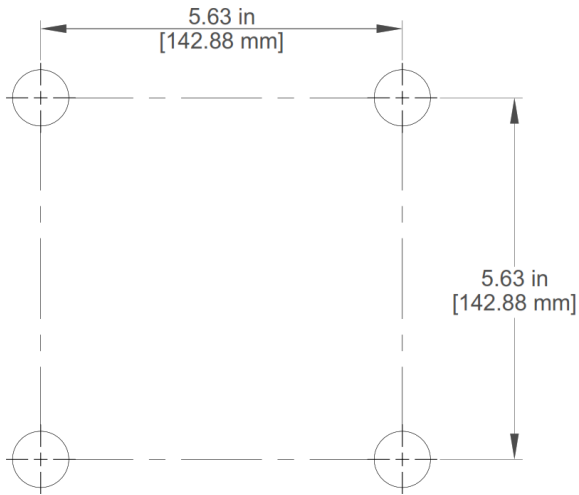
Risk of Injury or Damage: Select user-supplied wall anchors and anchor fasteners suitable for the wall construction and the bracket's mounting hole diameters. Ensure a minimum per-anchor pull-out-strength of 10 times (10X) the combined bracket and fixture weight and install the anchors per the manufacturer's instructions.

Mounting Steps

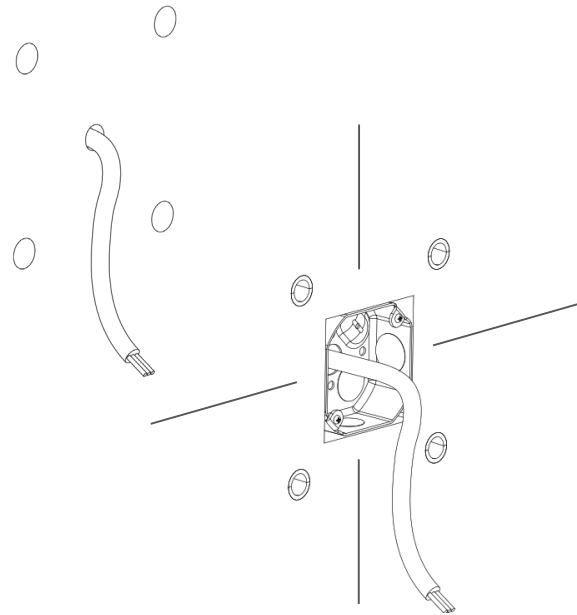


- 1** Maximum fixture load 50 lbs at less than or equal to 24" from mounting plane
- 2** Select user-supplied anchors with 3/8", 7/16" or 1/2" bolt diameter to work with the bracket's clearance hole diameter
- 3** Ensure anchor bolt head diameter and washer will retain bracket with 0.562" diameter clearance holes.

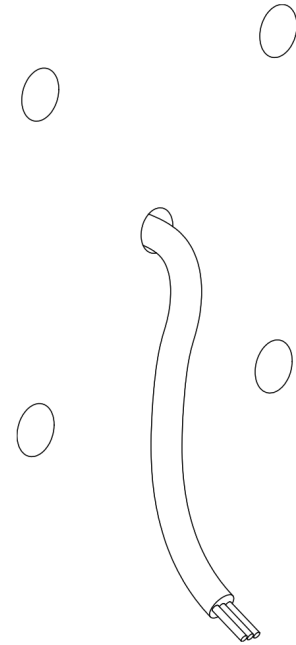
Mounting Steps



4 Verify mounting hole pattern will work on intended wall surface and wiring exit

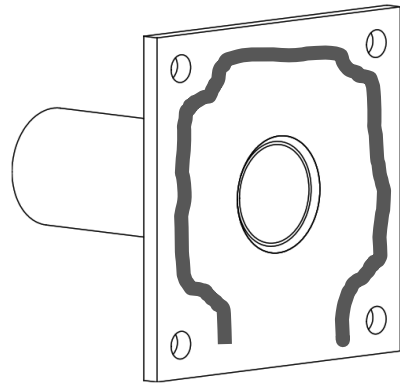


5 Center bolt pattern on wiring or wiring box position and mark hole positions

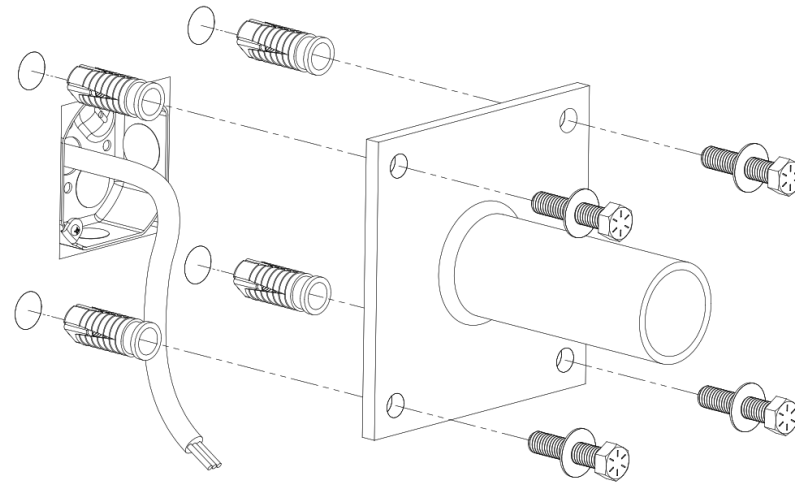


6 Drill holes in wall surface according to recommended diameter for user-supplied anchors

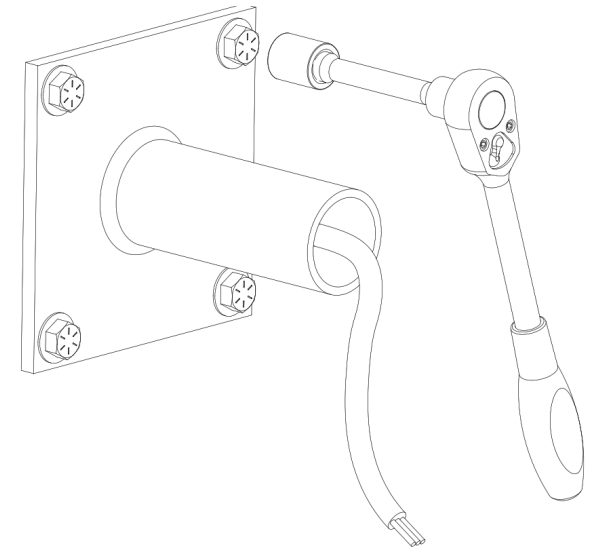
Mounting Steps



- 7** Apply a heavy caulk bead in pattern indicated to seal bracket and electrical box from water intrusion.



- 8** Insert user-supplied anchors into mounting surface and mount bracket using anchor fasteners and washers



- 9** Tighten user-supplied fasteners to torque recommended by anchor manufacturer to develop full retention strength

Contact



© 2020 Current Lighting Solutions, LLC. All rights reserved. GE and the GE monogram are trademarks of the General Electric Company and are used under license. Information provided is subject to change without notice. All values are design or typical values when measured under laboratory conditions.

www.GECurrent.com | Enovia A-1025548 Rev 1 | 99008421 (04/06/20)