

# SONDER

LIVING

LOUIS DINING TABLE  
- DIAMETER 48" , W MARBLE TOP

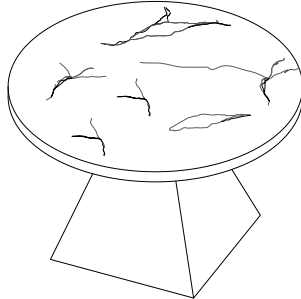
Thank you for choosing this quality product. Be sure to check all packaging materials carefully for small parts that may have become loose during shipment and place all parts on a non-abrasive surface.

**IMPORTANT :** These parts can be cumbersome and heavy to some people, therefore the assistance of two or more people is recommended in order to prevent personal injury and ensure the furniture is not damaged during the assembly Process.

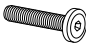



## PART LIST

A [1] TABLETOP

B [1] TABLEBASE

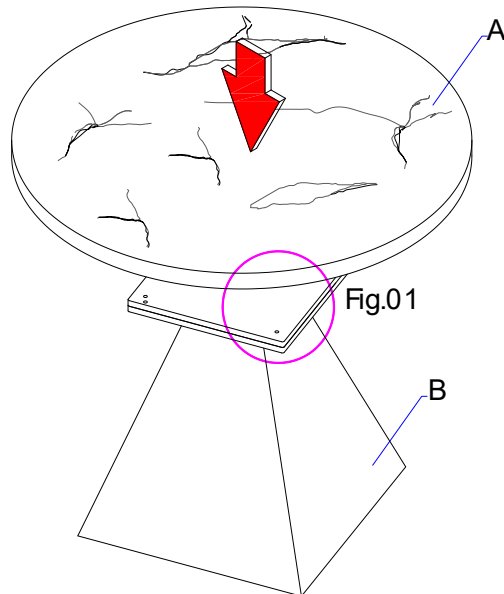


## HARDWARE LIST

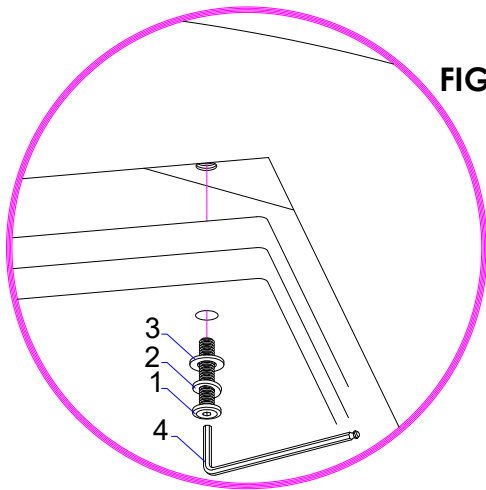
NO	DESCRIPTION	QTY
1	 ALLEN HEAD BOLT	4
2	 LOCK WASHER	4
3	 PLAIN WASHER	4
4	 ALLEN WRENCH	1

## INSTRUCTIONS

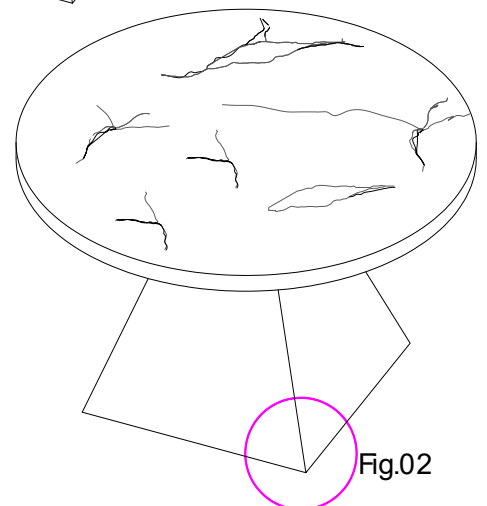
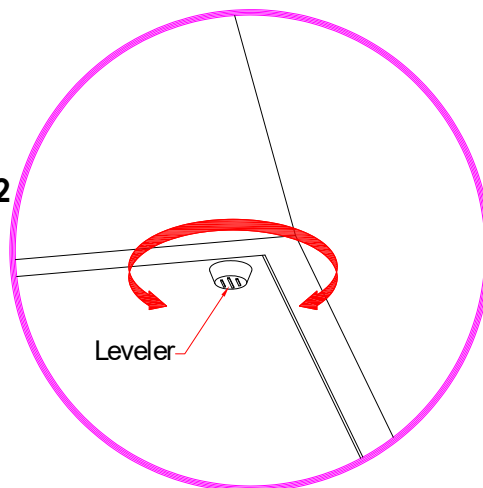
1. Bring the table top (A) and set it on the base (C). Align the fixed nuts at the bottom of the top to the holes on top of the base. Insert Allen bolts (1) through to Lock washers (2) and Flat washers (3) into each fixed nuts through the holes on top of the base, then tighten them by using Allen key (4). **DO NOT OVERTIGHTEN.** Refer to **FIGURE 01**.
2. Check the table leveling, and adjust the levelers at the bottom of the base if necessary. See **FIGURE 02**.



**FIGURE 01**



**FIGURE 02**



## CARE INSTRUCTIONS

1. Dust often using a clean, soft, dry and lint-free cloth.
2. Blot spills immediately and wipe with a clean, damp, cloth.
3. We do not recommend the use of chemical cleansers, abrasives or furniture polish on our lacquered finish.