

# NLCSPEJ1WH-LHW

## NLC Wireless External-Mount PIR/Daylight Sensor w/Lens

### Product Description

The NLCSPEJ1WH-LHW is a low-voltage Bluetooth wireless PIR/Daylight sensor. The integrated 3.5mm jack is designed for easy installation with socket sensor enabled luminaires. It provides 360° coverage at heights ranging from 20-40ft with the standard -LHW lens (high bay, wide pattern). Setup and commissioning requires the NICOR NLC mobile app (iOS and Android). Additional lens options are available, see Optic Accessories section.

### Construction

- Made of fire retardant plastic (UL 94-5VA)
- IP40

### Network Technology

- Bluetooth Low Energy (BLE) 5.0 with mesh networking
- Bluetooth range: up to 100 ft (line of sight)
- Commissioned via NICOR NLC app (iOS and Android compatible)
- UL1376 Cyber Security Certification

### Electrical

- Input voltage: 12V DC
- Rated current: 50mA
- Input power: 0.6W
- Output voltage: 10V DC
- Output current: 10mA Max
- Output power: 0.1W
- Dimming: Class 2, 0-10V DC, 10mA Max
- Operating temperature rating: -22°F to 131°F (-30°C to 55°C)

### Listings

- cULus Listed LED Controller
- UL8750
- RoHS compliant
- DLC NLC5 listed

### Warranty

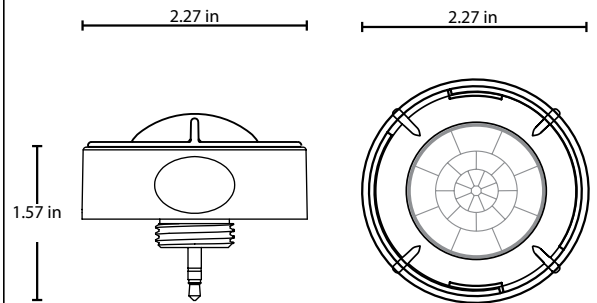
- 5-year limited system warranty standard
- Warranty does not cover product failure due to an overvoltage event (power surge)

Project \_\_\_\_\_

Catalog \_\_\_\_\_

Type \_\_\_\_\_

Date \_\_\_\_\_



### Ordering Information

Example: NLCSPEJ1WH-LHW

Series	Product	Sensor Type	Mounting Type	Connector Type	Version	Finish	Lens
NLC	S (Sensor)	P (PIR)	E (External Mount)	J (3.5mm Jack)	1	WH (White)	LHW (high bay, wide)

Specifications and dimensions subject to change without notice.

# NLCSPEJ1WH-LHW

## NLC Wireless External-Mount PIR/Daylight Sensor w/Lens

### Optic Accessories

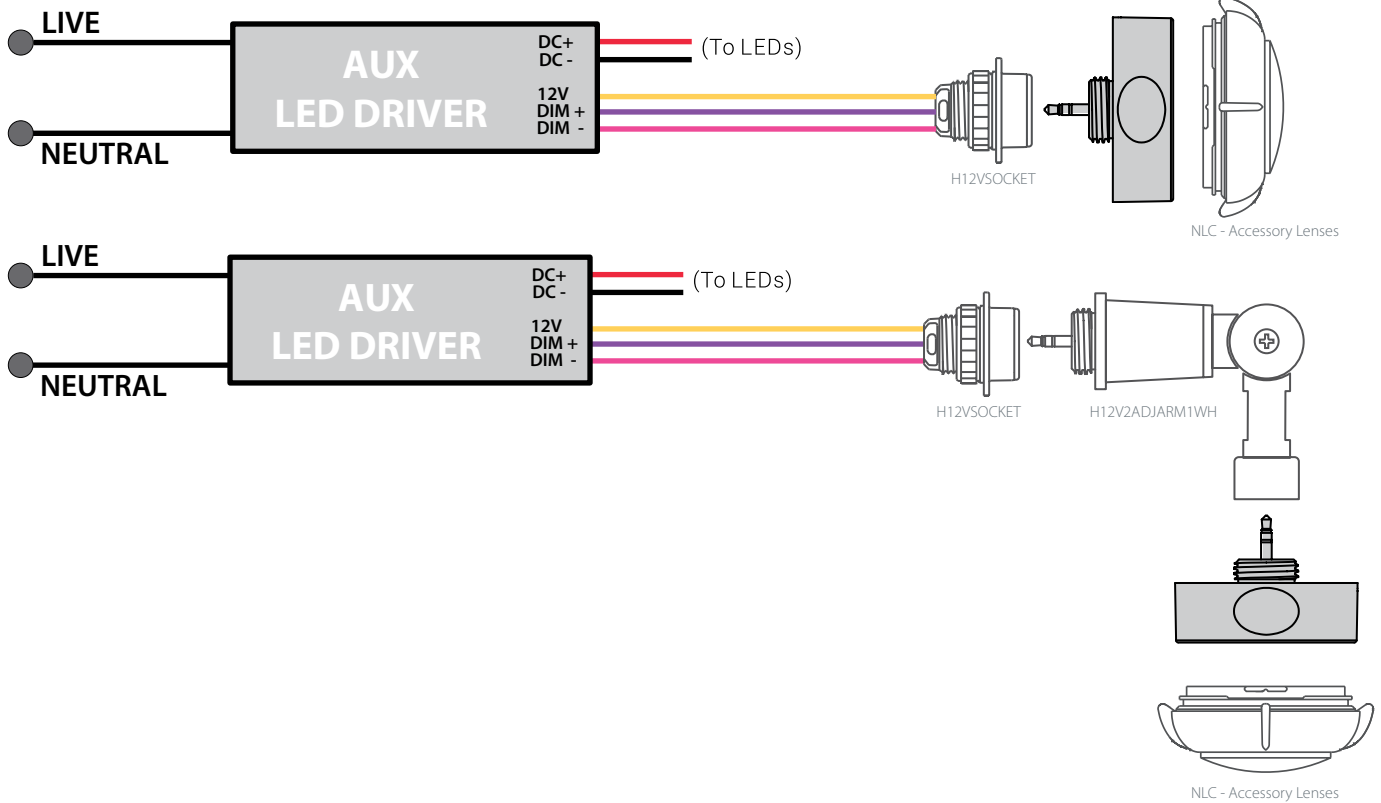
Optic Accessories	Model	Mounting Height
90° High Mount, Wide Lens	NLCLHW1WH (included standard)	20-40ft
77° High Mount, Narrow Lens	NLCLHN1WH	20-40ft
103° Medium Mount, Wide Lens	NLCLMW1WH	8-20ft

### Motion Sensor Accessories

Low-Voltage Socket	H12VSOCKET
Low-Voltage Adjustable Arm	H12V2ADJARM1WH

\*accessories sold separately

### Wiring Diagram



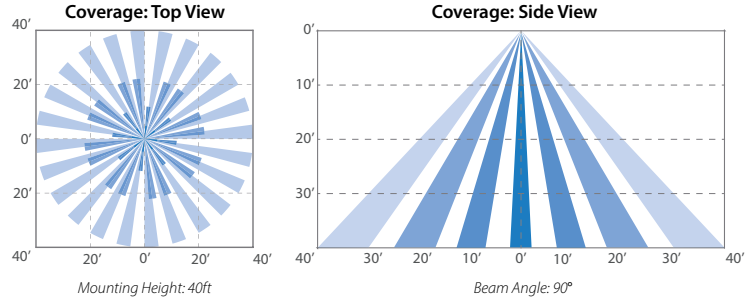
# NLCSPEJ1WH-LHW

## NLC Wireless External-Mount PIR/Daylight Sensor w/Lens

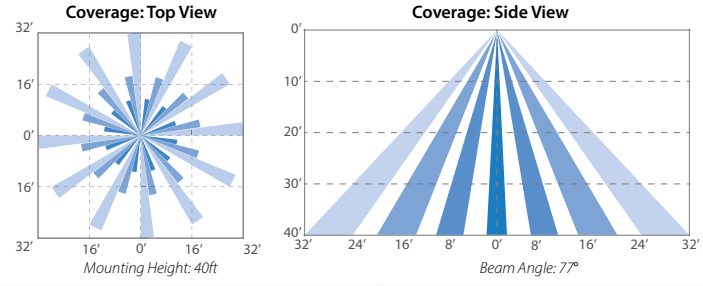
### Performance Data

Default Factory Settings	
Motion Mode	Occupancy
Motion sensor	ON
Photo sensor	OFF
Hold time	20 min
Standby time	1 min
Dim level	50%
Sensitivity	100%
High Trim	100%

### -LHW - High Mount, Wide Lens Mounting Height: 20ft to 40ft



### NLCLHN1WH - High Mount, Narrow Lens Mounting Height: 20ft to 40ft



### NLCLMW1WH - Medium Mount, Wide Lens Mounting Height: 8ft to 20ft

