

Thank you for choosing this quality product. Be sure to check all packaging materials carefully for small parts that may have become loose during shipment and place all parts on a non-abrasive surface.

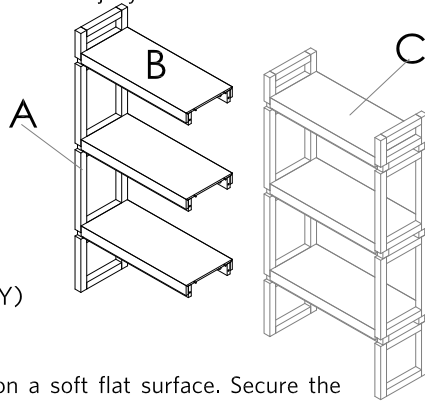
IMPORTANT :These parts can be cumbersome and heavy to some people, therefore the assistance of two or more people is recommended in order to prevent personal injury and insure the furniture is not damaged during the assembly Process.

PART LIST




- A. [1] SIDE FRAME
- B. [3] SHELF FRAME

PART REQUIRED

- C. [1] SHELF (SOLD SEPARATELY)

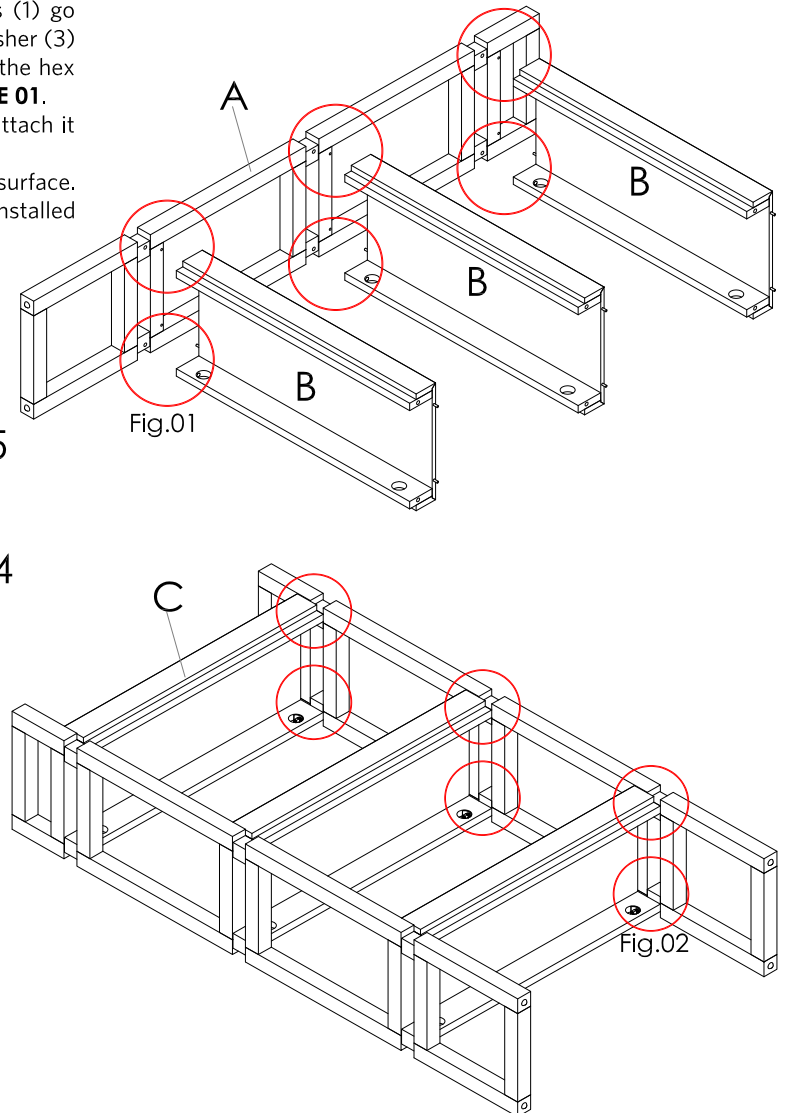
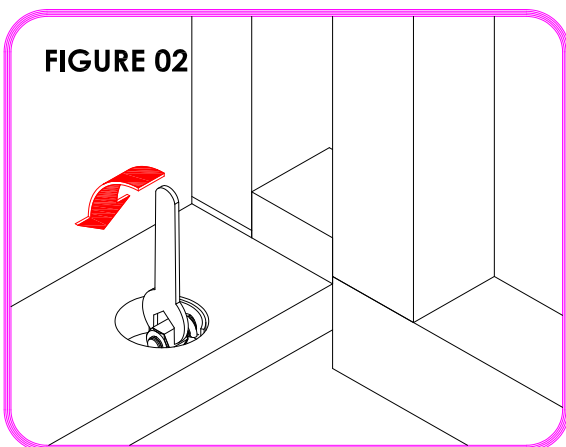
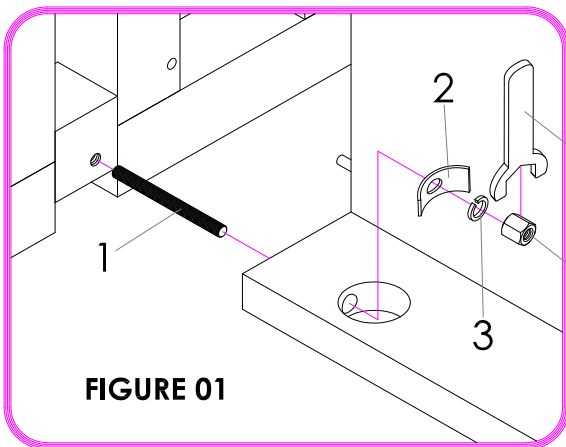


HARDWARE INCLUDED

NO	DESCRIPTION	QTY
1	 THREADED ROD	12
2	 CURVED WASHER	12
3	 LOCK WASHER	12
4	 HEXAGONAL NUT	12
5	 SPANNER WRENCH	1

INSTRUCTIONS

- Place the back of side frame on a soft flat surface. Secure the threaded rod (1) to the fixed nut in the Side frame (A) by simply turning it manually. Raise the Shelf (B) up and place the rod (1) to align with the bore holes on the end of the shelf (B). Put the shelf (B) up against the side frame (A) so the threaded rods (1) go through the bore holes. Insert curved washer (2), lock washer (3) and place hex nuts (4) on threaded rod (1) then tighten the hex nuts (4) with wrench (5) provided, as illustrated in **FIGURE 01**.
- Repeat the above procedure with the other shelf (B) to attach it to the side frame (A).
- Place the back of the shelf (sold separately) on a soft flat surface. Remove the Right frame of the shelf by loosening all nut installed on the shelf frame, as illustrated in **FIGURE 02**.



3. Secure the threaded rod (1) to the fixed nut on the remaining edge of the Side frame (A) by simply turning it manually. Raise the Shelf (C) up and place the rod (1) to align with the bore holes on the end of the shelf. Put the shelf up against the side frame (A) so the threaded rods (1) go through the bore holes. Insert curved washer (2), lock washer (3) and place hex nuts (4) on threaded rod (1) then tighten the hex nuts (4) with wrench (5) provided, as illustrated in **FIGURE 03**.
4. Repeat the above procedure with the shelf (B) to attach it to the side frame removed at step 2.
5. After assembly, turn the shelf upright on your desired location.

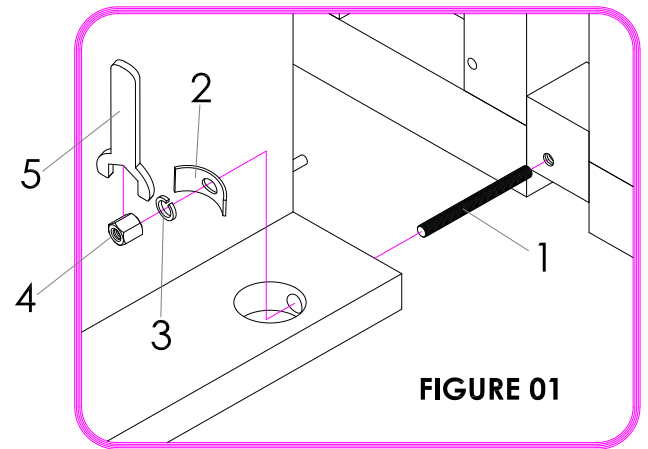
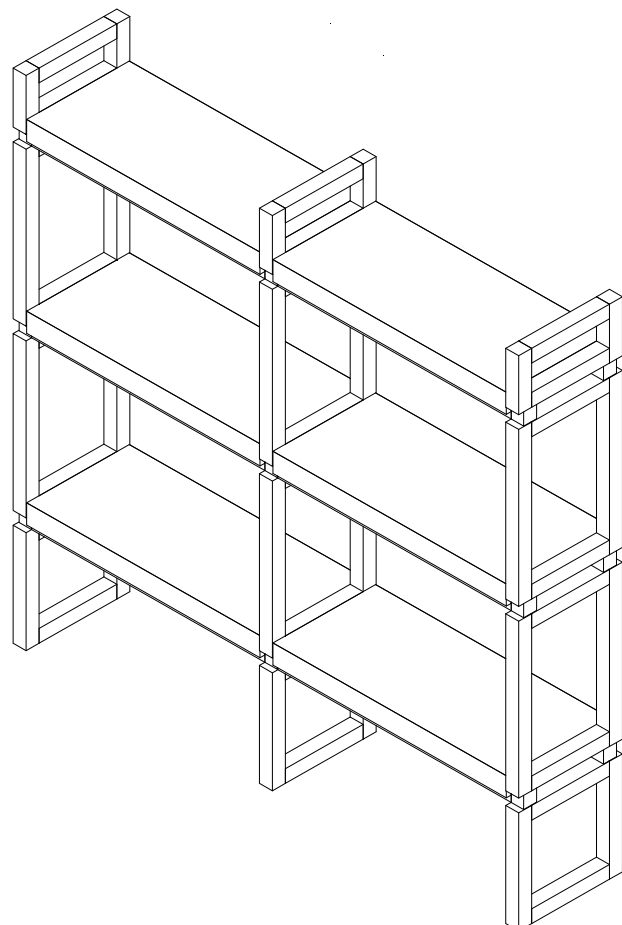
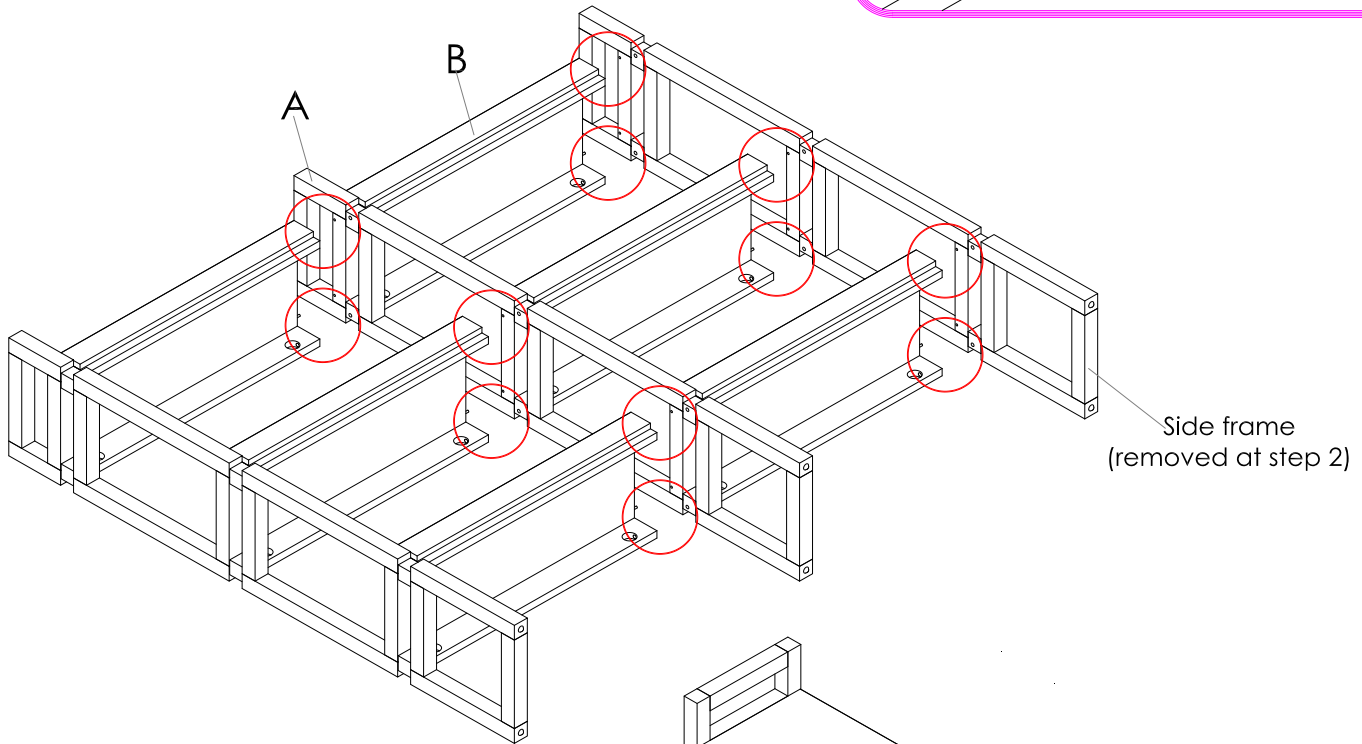


FIGURE 01



CARE INSTRUCTIONS

1. Dust often using a clean, soft, dry and lint-free cloth.
2. Blot spills immediately and wipe with a clean, damp cloth.
3. We do not recommend the use of chemical cleansers, abrasives or furniture polish on our lacquered finish.

IMPORTANT SAFETY INSTRUCTIONS

1. Please read all instructions carefully before assembling.
2. Keep instructions for future use.
3. Use only vendor supplied hardware to assemble. Using unauthorized hardware could jeopardize the structural integrity of the item.