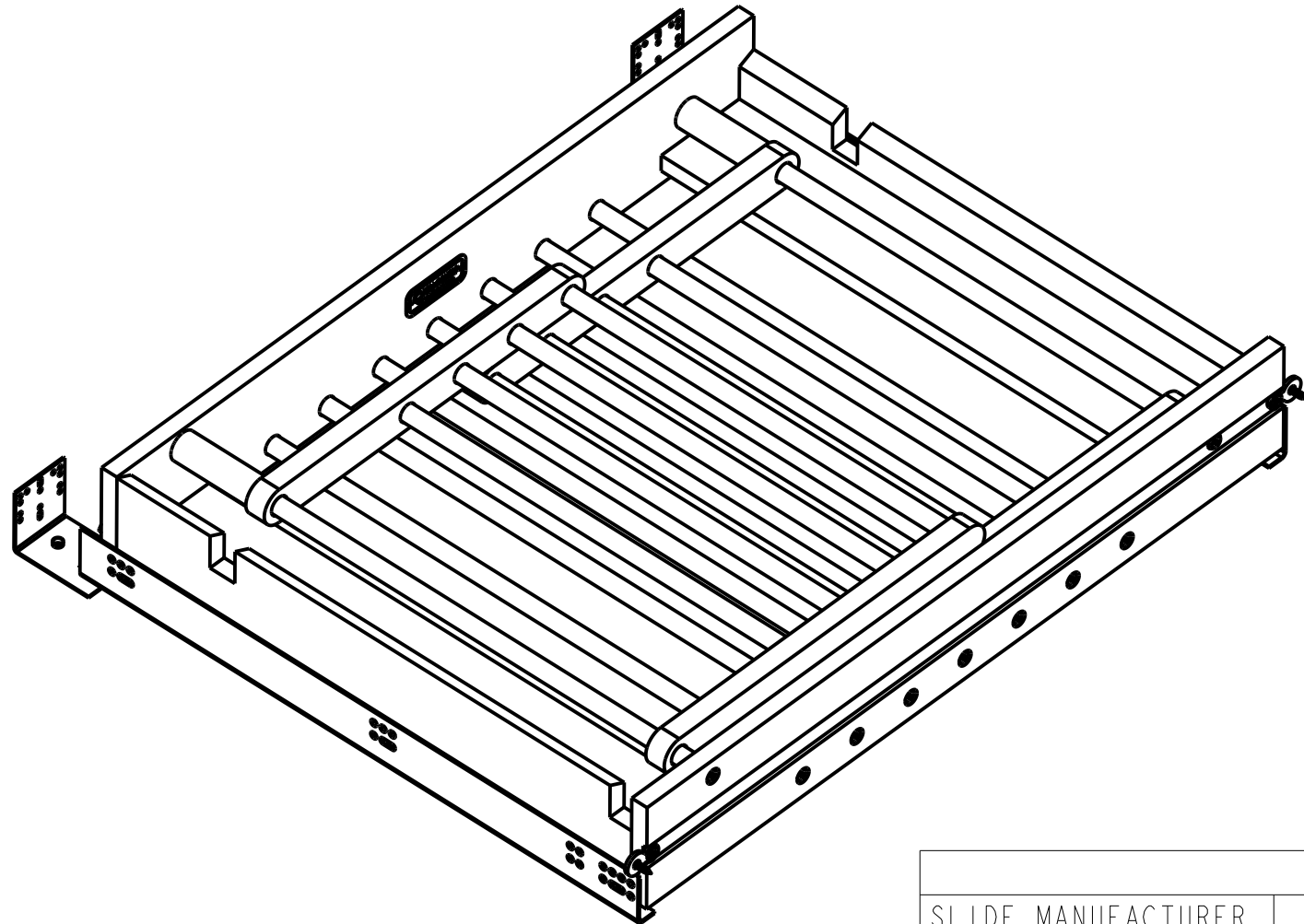


CUSTOMER DRAWING

This drawing is the property of Rev-A-Shelf (RAS) and is disclosed in confidence to the extent its subject matter is original to RAS. Any vendor receiving this drawing from RAS shall hold and use this drawing for the sole benefit of RAS and shall not disclose it to, or use or reproduce it for any third party, or perform any act adverse to the interest of RAS with respect to this drawing without the express written permission of RAS. Vendors shall not revise any physical, dimensional or performance characteristic unless authorized by Rev-A-Shelf Engineering.

REV.	DATE	BY	DESCRIPTION OF CHANGE

INCH [MM]	AMERICAN PROJECTION	BY	DATE	<b>REV-A-SHELF, Inc.</b> SIZE B WOOD DRYING RACK WITH SLIDES FOR 30 INCH CABINET DRAWING NO. 4WDR-30HSC-1 SCALE 0.200 PART NO. 4WDR-30HSC-1 SHEET OF 1 3
		DRAWN	JAB 10/17/23	
TOLERANCES MAT. DEC. (WOOD) .XX ±.03 [.8mm] (OTHER) .XX ±.02 [.5mm] (ALL) .XXX ±.005 [.13 mm] FRACTIONS ±1/32 [.8 mm]		ANGLES	±1/2°	MATERIAL
		FINISH		



PART DIMENSIONS		
	MIN	MAX
WIDTH	27.00	27.00
DEPTH	21.75	23.75
HEIGHT	4.42	4.42
CONTAINER CAPACITY		
CONTAINER UOM		

MIN CABINET OPENING				
	FACE FRAME	FRAMELESS	INSET FACE FRAME	INSET FRAMELESS
WIDTH	27	27	27	27
DEPTH	21.75	21.75	22.50	22.50
HEIGHT	4.75	4.75	4.75	4.75

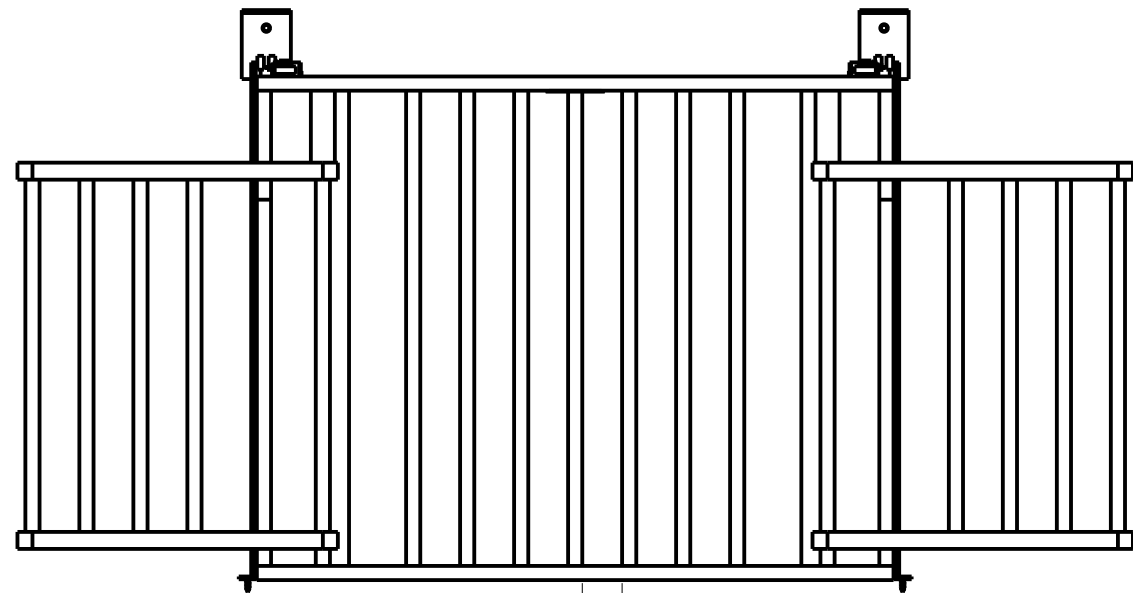
SLIDE SPECIFICATIONS				
SLIDE MANUFACTURER	BLUM			
SLIDE PART NUMBER	563H5330B	RELEASE PART NUMBER	T51-1801	
SLIDE TYPE	UNDERMOUNT	SLIDE EXTENSION	FULL	MAX WEIGHT RATING
SLIDE CLOSING	SOFT	SLIDE LENGTH	21.65 [550 MM]	
SLIDE MOUNTING	SIDE	SLIDE FINISH	ZINC	90 LB

CUSTOMER DRAWING

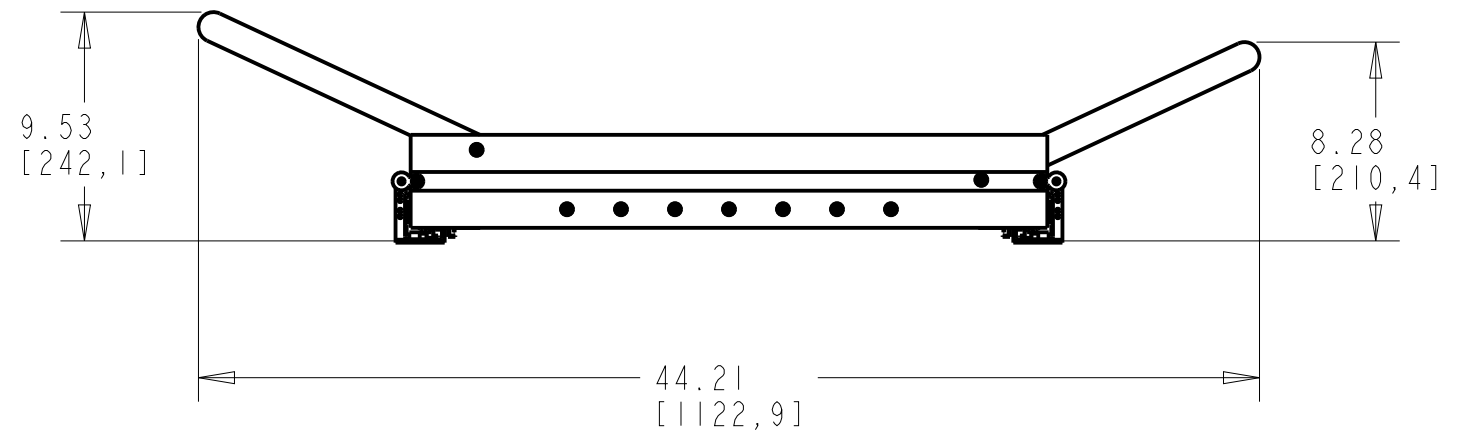
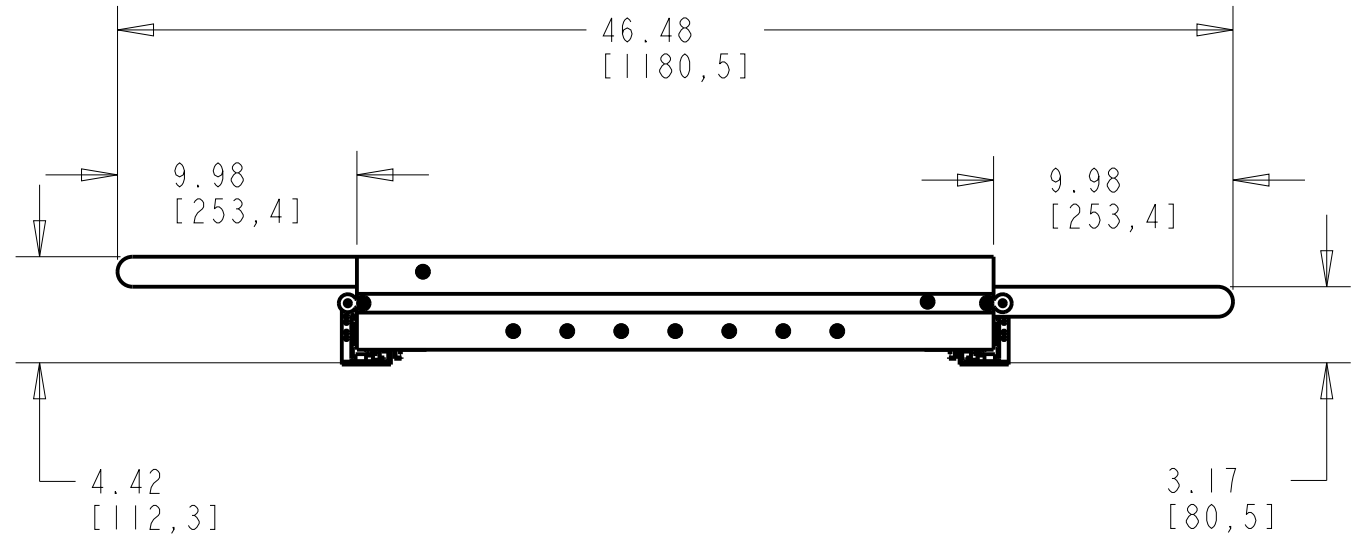
This drawing is the property of Rev-A-Shelf (RAS) and is disclosed in confidence to the extent its subject matter is original to RAS. Any vendor receiving this drawing from RAS shall hold and use this drawing for the sole benefit of RAS and shall not disclose it to, or use or reproduce it for any third party, or perform any act adverse to the interest of RAS with respect to this drawing without the express written permission of RAS. Vendors shall not revise any physical, dimensional or performance characteristic unless authorized by Rev-A-Shelf Engineering.

REV.	DATE	BY	DESCRIPTION OF CHANGE

INCH [MM]	AMERICAN PROJECTION	DRAWN	BY	DATE	
			JAB	10/17/23	
TOLERANCES		MATERIAL		DRAWING NO.	SCALE
MAT.	DEC.	FINISH		4WDR-30HSC-1	0.200
(WOOD) .XX ±.03 [.8mm]				PART NO.	SHEET OF
(OTHER) .XX ±.02 [.5mm]	ANGLES ±1/2°			4WDR-30HSC-1	2 OF 3
(ALL) .XXX ±.005 [.13 mm]					
FRACTIONS ±1/32 [.8 mm]					



1.66  
[42, 2]  
TYP



CUSTOMER DRAWING

This drawing is the property of Rev-A-Shelf (RAS) and is disclosed in confidence to the extent its subject matter is original to RAS. Any vendor receiving this drawing from RAS shall hold and use this drawing for the sole benefit of RAS and shall not disclose it to, or use or reproduce it for any third party, or perform any act adverse to the interest of RAS with respect to this drawing without the express written permission of RAS. Vendors shall not revise any physical, dimensional or performance characteristic unless authorized by Rev-A-Shelf Engineering.

REV.	DATE	BY	DESCRIPTION OF CHANGE

INCH [MM]	AMERICAN PROJECTION	BY	DATE	REV-A-SHELF, INC.
		JAB	10/17/23	
TOLERANCES				SIZE
MAT.	DEC.	ANGLES	MATERIAL	B
(WOOD)	.XX ±.03 [8mm]	±1/2°	FINISH	WOOD DRYING RACK WITH SLIDES FOR 30 INCH CABINET
(OTHER)	.XX ±.02 [5mm]			DRAWING NO.
(ALL)	.XXX ±.005 [13 mm]			4WDR-30HSC-1
FRACTIONS	±1/32 [8 mm]			SCALE
				0.200
				PART NO.
				4WDR-30HSC-1
				SHEET OF
				3 OF 3