

Economy Series

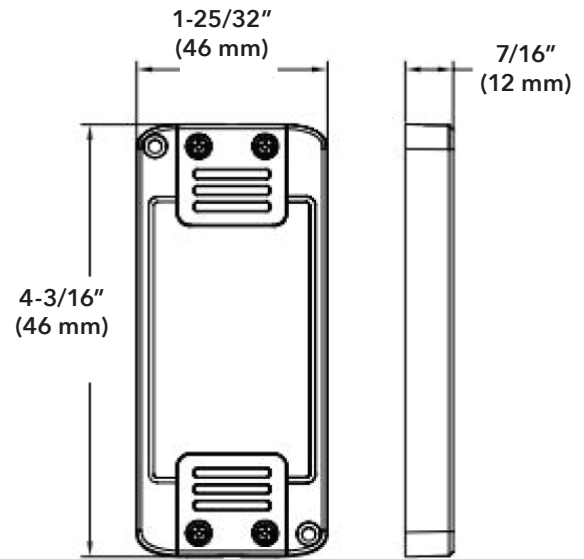
EquiLine Receiver

12VDC
24VDC

FREEDiM
WIRELESS CONTROL

Features:

- 60W capacity (12VDC); 96W capacity (24VDC)
- Install inline between power supply and lights
- Power failure memory (retains last dim setting)
- 5" (127 mm) input and output cord attached
- Compatible with EquiLine FREEDiM Series Wireless Dimmer and Wireless Dimmer with Motion
- Simple one button pairing with EquiLine FREEDiM Series dimmers
- One receiver per dimmer required, receiver cannot be programmed to multiple dimmers
- 2-year warranty



EquiLine Wireless Dimmer
L-EQW-1DIM-BL-1



EquiLine Receiver
L-EQW-1REC-1

Universal 12VDC Power Supply

Economy Series

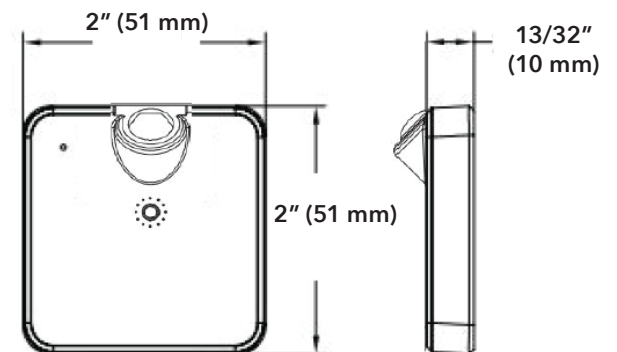
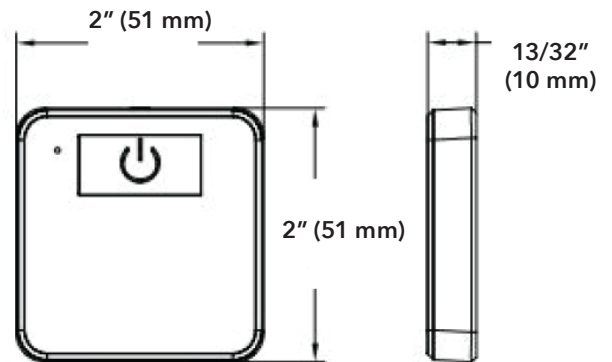
EquiLine Wireless Dimmers

Features:

- Available in a motion sensor + dimmer or dimmer only
- Black or nickel finish
- Controls all Tresco® 12/24VDC single color dimmable low voltage lights
- Easy to replace, long life lithium CR2032 battery (included)
- Simple one button pairing with receiver (L-EQW-1REC-1)
- No cumbersome, messy wires for easy installation
- Surface mount using magnet backed with 3M™ tape or screw (included)

12VDC
24VDC

FREEDiM
WIRELESS CONTROL



Wireless Dimmer

- Short touch to switch ON/OFF
- Long touch to dim from 10% - 100%
- Maximum Remote Range: up to 33' (10 m)

Wireless Dimmer with Motion

- Turns on light when motion is detected
- Turns off light 45 seconds after movement is no longer detected
- Long touch to dim from 10% - 100%
- Maximum Remote Range: up to 33' (10 m)
- Motion Range: 3-10' (1-3 m)

Part #	Description
L-EQW-KITD-**-1	12/24VDC 60W/96W EquiLine Receiver and Wireless Dimmer
L-EQW-KITMD-**-1	12/24VDC 60W/96W EquiLine Receiver and Wireless Dimmer w/ Motion

**Insert (BL) for Black and (NI) for Nickel

Only one receiver and one dimmer can be paired and are sold together as a kit. You cannot program multiple dimmers to one receiver. If individual parts are needed, please contact Tresco® customer service.