

EVOLVE

Pendant EPPE Series

LED Post Top Lighting



Project Name _____

Date _____ Type _____

Notes _____

GLI Brands Utility Roadway Representatives Exclusively

- Reliable, uniform, glare free illumination
- Type I, Type II, Type III, Type IV Wide, Type V Square, and Type V Wide distributions
- 3000K, 4000K, 5000K CCT
- 0-10V dimming ready

CONSTRUCTION

Housing:	Aluminum 360 alloy
Lens:	LED engine, TIR optics, gasket and bezel plate
Paint:	Cast Aluminum, Black, Dark Bronze, RAL & Customer colors available
Weight:	24lbs. (10.9kg)

OPTICAL SYSTEM

Lumens:	5,000 – 18,500
Distribution:	Type I, Type II, Type III, Type IV Wide, Type IV Square & Type V Wide
Efficacy:	95-142 LPW
CCT:	Amber, 3000K, 4000K & 5000K
CRI (Min):	70

ELECTRICAL

Input Voltage:	120-277V, 347V, 480V
Input Frequency:	50-60Hz Nom. (+/- 10%)
Power Factor:	>0.95 @ Full Load 120-277V
Total Harmonic Distortion:	<20% @ Full Load 120-277V

SURGE PROTECTION*

Standard	Optional
10kV/5kA	20kV/10kA

*Per ANSI C136.2-2015

WARRANTY

5 Year (Standard)

10 Year (Optional)

LUMEN MAINTENANCE

Projected Lxx per IES TM-21 at 25°C

SKU	LXX(10K) @ Hours		
	25,000 HR	50,000 HR	60,000 HR
EPPE	L98	L96	L94

Note: Projected LXX based on LM80 (> 10,000 hour testing). Accepted Industry tolerances apply to initial luminous flux and lumen maintenance measurements.

AMBIENT TEMPERATURE FACTOR

Ambient Temp (°C)	Initial Flux Factor	Ambient Temp (°C)	Initial Flux Factor
10	1.02	30	0.99
20	1.01	40	0.98
25	1.00		

RATINGS

Operating Temperature:	-40°C to 40°C
Vibration:	Available upon request
LM-79:	Available upon request
EPA:	1.19

CONTROLS

Dimming:	Standard 0-10V
Sensors:	Integral in fixture bezel or Pole Mounted

EPPE 02

PROD. ID	GEN	VOLTAGE	LUMEN OUTPUT	DIST.	CCT	LENS	MOUNTING ARM	COLOR	OPTIONS
E = Evolve	02 = 2nd Gen	0 = 120-277V	225 = 5939 - 6840 Clear Drop Lens, 5010 - 5558 Diffused Drop Lens	A = Type I	30 = 3000K	CL = Clear Drop Lens	SA8 = Single Arm	BLCK = Black	HS = House Side Shield
P = Post Top		D = 347V	345 = 8443 - 10399 Clear Drop Lens, 7277 - 8073 Diffused Drop Lens	B = Type II	40 = 4000K	DL = Diffused Drop Lens	TA8 = Twin Arm	DKBZ = Dark Bronze	Y = Coastal
PE = Pendant		5 = 480V	700 = 15168 - 18575 Clear Drop Lens, 12973 - 14613 Diffused Drop Lens	C = Type III*	50 = 5000K				XXX = Special Options
				E = Type IV, Wide					R = Secondary 10kV/5kA SPD
				F = Type V, Square					T = Secondary 20kV/10kA SPD
				G = Type V, Wide*					

*Diffused lens only offered in C and G (DISTRIBUTION)

PERFORMANCE DATA

LUMEN OUTPUT	REFRACTOR		TYPICAL INITIAL LUMENS			BUG RATINGS		
	DIST CODE	CODE	3000K	4000K	5000K	3000K	4000K	5000K
225	A	CL	6643	6861	7118	B1-U3-G1	B1-U3-G1	B1-U3-G2
225	B		6097	6298	6534	B1-U3-G2	B1-U3-G2	B1-U3-G2
225	C		6017	6215	6448	B1-U3-G2	B1-U3-G2	B1-U3-G2
225	E		5939	6134	6364	B1-U3-G2	B1-U3-G2	B1-U3-G3
225	F		6383	6593	6840	B2-U3-G1	B2-U3-G1	B2-U3-G1
225	G		5813	6004	6229	B3-U3-G2	B3-U3-G2	B3-U3-G2
225	C	DL	5186	5357	5558	B1-U3-G3	B1-U3-G3	B1-U3-G3
225	G		5010	5175	5368	B2-U3-G2	B2-U3-G2	B2-U3-G2
345	A	CL	8378	8654	8978	B1-U0-G1	B1-U0-G1	B1-U0-G2
345	B		7689	7942	8239	B2-U0-G2	B2-U0-G2	B2-U0-G2
345	C		7582	7831	8125	B1-U0-G2	B1-U0-G2	B2-U0-G2
345	E		7478	7725	8014	B1-U0-G3	B1-U0-G3	B1-U0-G3
345	F		8044	8309	8620	B3-U0-G1	B3-U0-G1	B3-U0-G1
345	G		7323	7564	7847	B3-U0-G2	B3-U0-G2	B3-U0-G2
345	C	DL	7533	7781	8073	B2-U3-G3	B2-U3-G3	B2-U3-G3
345	G		7277	7516	7798	B3-U3-G3	B3-U3-G3	B3-U3-G3
700	A	CL	15052	15547	16128	B2-U0-G2	B2-U0-G2	B2-U0-G2
700	B		13812	14267	14801	B2-U0-G2	B2-U0-G2	B3-U0-G3
700	C		14083	14545	15090	B2-U0-G2	B2-U0-G2	B2-U0-G2
700	E		13435	13877	14397	B2-U0-G3	B2-U0-G3	B2-U0-G4
700	F		14451	14926	15485	B3-U0-G2	B3-U0-G2	B3-U0-G2
700	G		13155	13588	14097	B4-U0-G3	B4-U0-G3	B4-U0-G3
700	C	DL	13637	14085	14613	B3-U4-G5	B3-U4-G5	B3-U4-G5
700	G		12973	13400	13902	B3-U4-G4	B3-U4-G4	B3-U4-G4

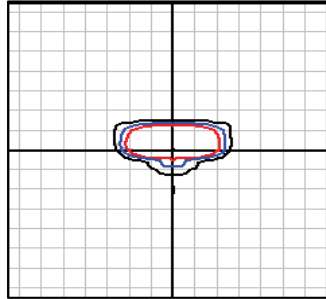
For additional information on EPPE IES files, please click the following link:

[EPPE IES Files](#)

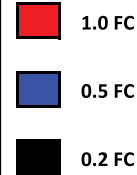
EPPE-02-0-700-A-40-CL

LUMINAIRE DATA

Description	4000 Kelvin, 70CRI
Delivered Lumens	17904
Watts	159.6
Efficacy	112
IES Type	I
BUG Rating	B2-U3-G3
Mounting Height	20 ft
Grid Scale	20 ft



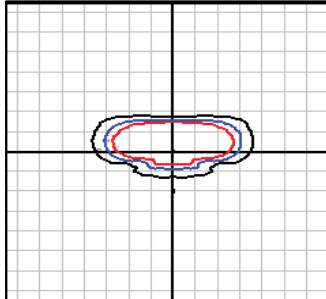
20' Mounting Height



EPPE-02-0-700-B-40-CL

LUMINAIRE DATA

Description	4000 Kelvin, 70CRI
Delivered Lumens	16434
Watts	159.6
Efficacy	103
IES Type	II
BUG Rating	B3-U3-G3
Mounting Height	20 ft
Grid Scale	20 ft



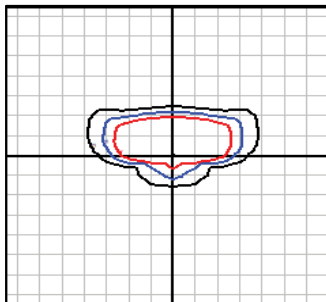
20' Mounting Height



EPPE-02-0-700-C-40-CL

LUMINAIRE DATA

Description	4000 Kelvin, 70CRI
Delivered Lumens	16220
Watts	159.6
Efficacy	102
IES Type	III
BUG Rating	B2-U3-G3
Mounting Height	20 ft
Grid Scale	20 ft



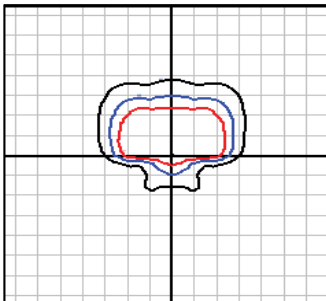
20' Mounting Height



EPPE-02-0-700-E-40-CL

LUMINAIRE DATA

Description	4000 Kelvin, 70CRI
Delivered Lumens	16006
Watts	159.6
Efficacy	100
IES Type	IV
BUG Rating	B2-U3-G4
Mounting Height	20 ft
Grid Scale	20 ft



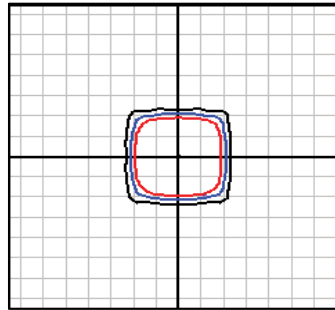
20' Mounting Height



EPPE-02-0-700-F-40-CL

LUMINAIRE DATA

Description	4000 Kelvin, 70CRI
Delivered Lumens	17205
Watts	159.6
Efficacy	108
IES Type	VS-Square
BUG Rating	B4-U3-G3
Mounting Height	20 ft
Grid Scale	20 ft



20' Mounting Height

1.0 FC

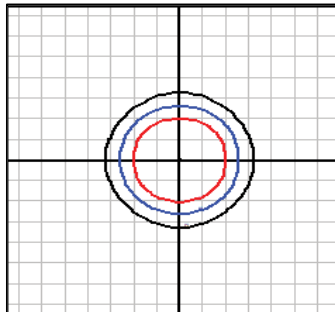
0.5 FC

0.2 FC

EPPE-02-0-700-G-40-CL

LUMINAIRE DATA

Description	4000 Kelvin, 70CRI
Delivered Lumens	15667
Watts	159.6
Efficacy	98
IES Type	VS-Wide
BUG Rating	B4-U3-G3
Mounting Height	20 ft
Grid Scale	20 ft



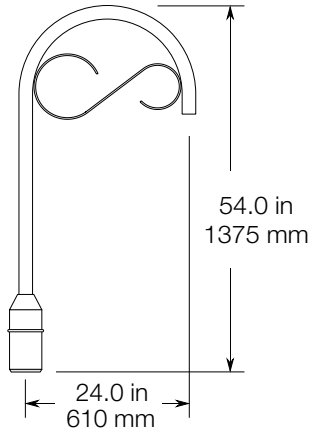
20' Mounting Height

1.0 FC

0.5 FC

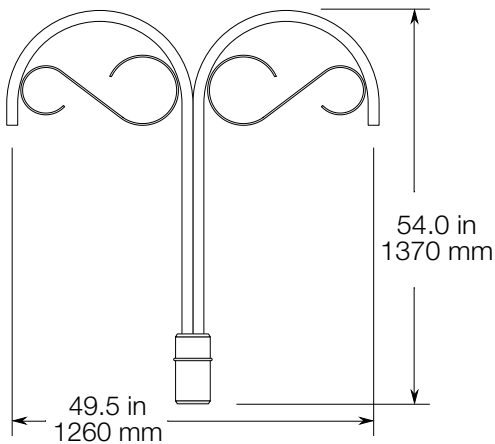
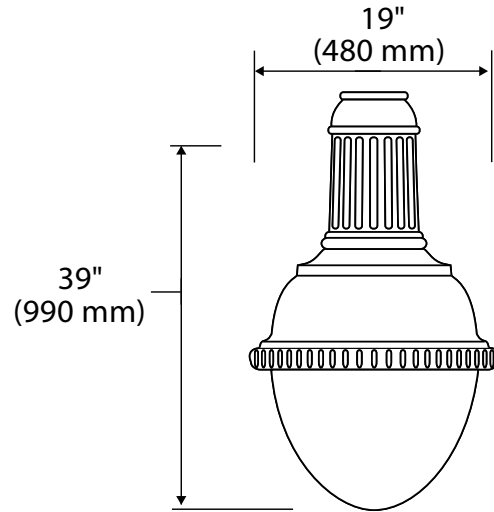
0.2 FC

MOUNTING



Single - SA8

DIMENSIONS



Double - TA8