



Tetra[®] Slim EdgeStrip

CABINET SIGN LIGHTING SYSTEMS

The cutting edge of uniform brightness.

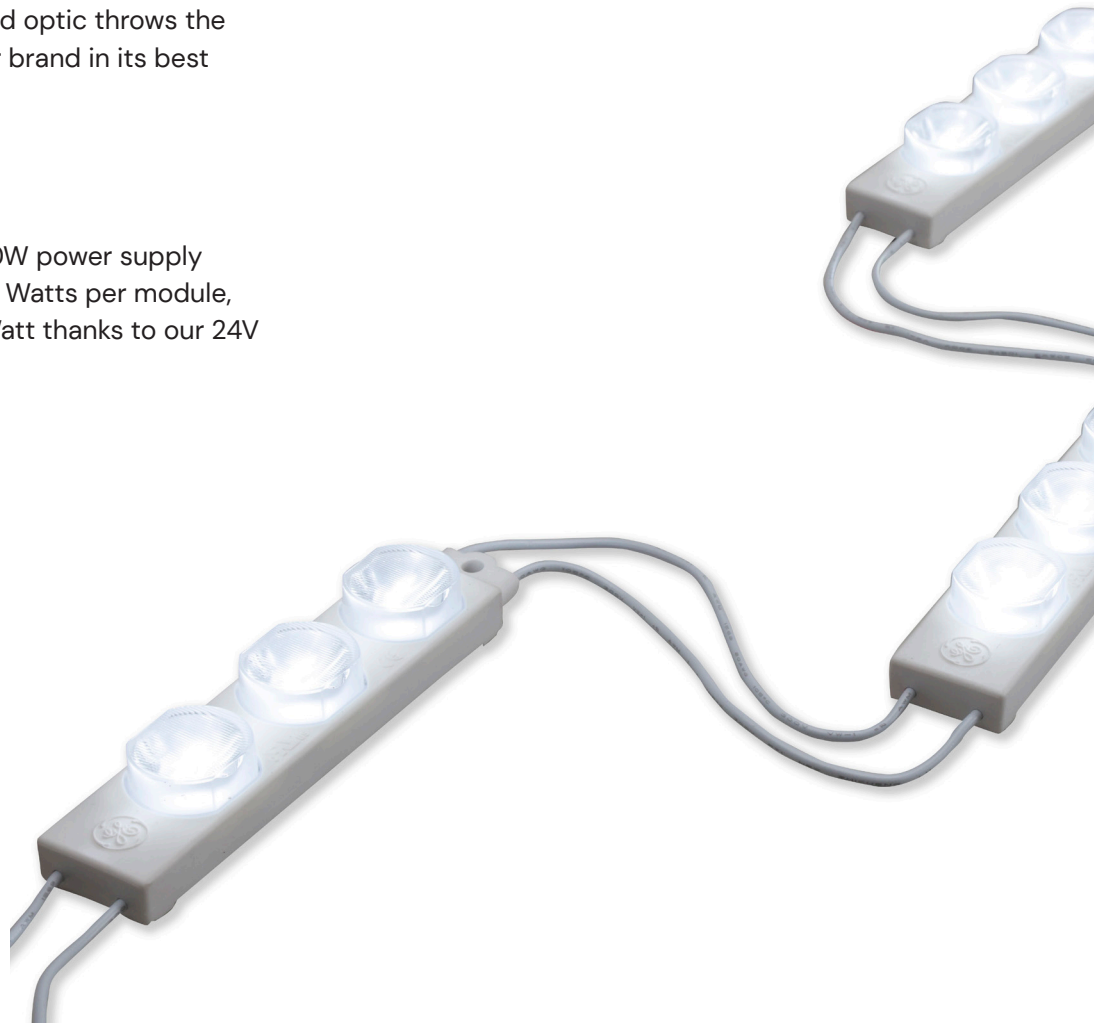
Tetra[®] Slim EdgeStrip is engineered to install easily around the edge of shallow to medium depth signs—as low as 50mm deep. Ideal for single or double-sided signs, as well as acrylic or fabric faces, Tetra[®] Slim EdgeStrip delivers money-saving advantages over competitive LED solutions, while producing outstanding visual performance that enhances end-user brand image.

Brighter Than Ever

Tetra® Slim EdgeStrip pumps out a maximum 235 lumens per module, and our focused optic throws the light where it matters, showing your brand in its best light.

Increased Loading

Load up to 57 modules per 24V 100W power supply. Tetra® Slim EdgeStrip uses only 1.44 Watts per module, for an efficacy of 109 lumens per Watt thanks to our 24V platform.



Tetra® Slim EdgeStrip Features

- Targeted 15°x35° beam angle
- Improved luminous intensity
- Efficacy: 97-109 lm/W
- 24 Volt DC, Class 2 (UL), Class III (IEC)
- UL Damp Rated & IP66
- 10-year limited warranty

Module Dimensions

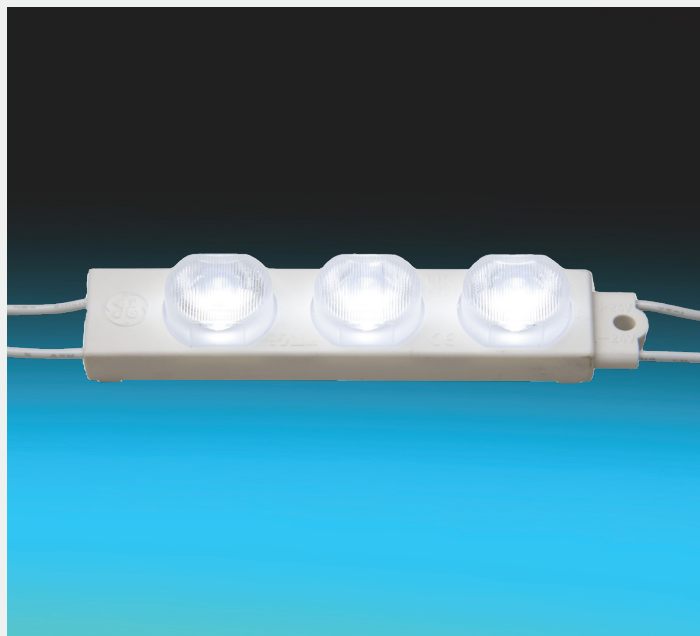
Length	Width	Height
3.76" / 96mm	0.79" / 20mm	0.56" / 14mm

Tetra® Slim EdgeStrip Spacing

Modules/ft	Can Depth	Coverage (1 side)	Coverage (2 sides)
2.5 (8.2 m)	2" (51 mm)	2 ft (609 mm)	4 ft (1219 mm)
2 (6.6 m)	3" (76 mm)	2 ft (609 mm)	4 ft (1219 mm)
	≥ 4" (102 mm)		

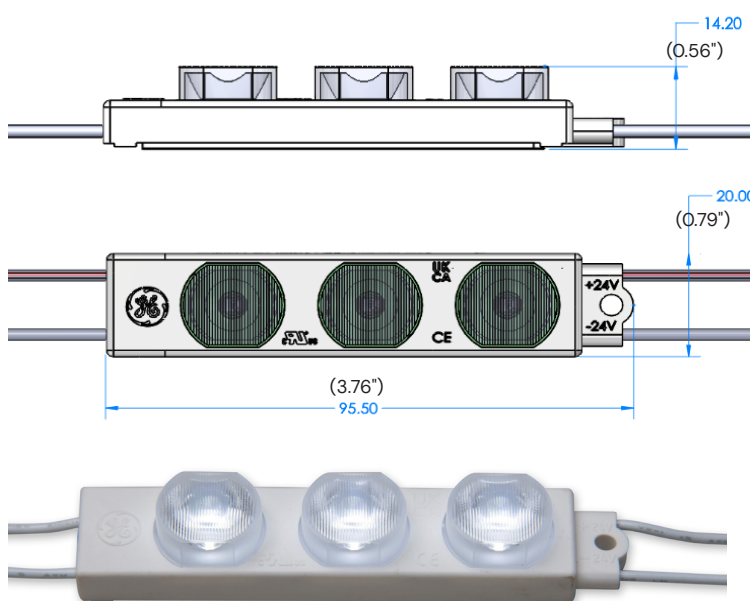
Cover any angle or curved shape with uniform LED light.

Tetra® Slim EdgeStrip's low-profile is designed to fit into the frame of shallow cabinet signs, meaning that curved, angular or custom shaped signs can now benefit from LED technology! Unlike fluorescent tubes, that are hard to fit into unique signs and create shadows and striping, Tetra® Slim EdgeStrip can tightly follow the contour of the sign's frame and distribute uniform light to every inch of the sign face. Protect the brand image of your business by using Tetra® Slim EdgeStrip LED lighting system in your sign.

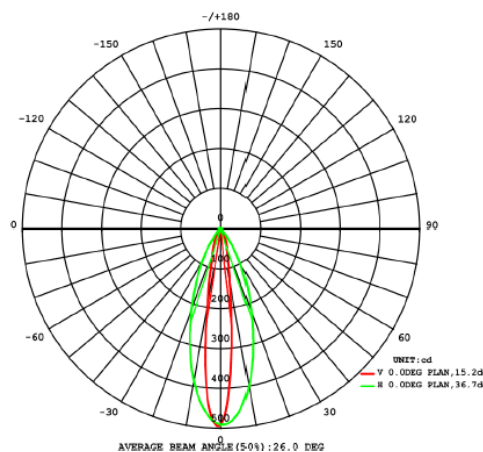


Mechanical Outline

Dimensions in mm. Metric equivalent in (inches)



Viewing Angle



Tetra® EdgeStrip Features

Optical design maximizes the area of light coverage by creating a narrow, uniform viewing angle

3M VHB™ industrial grade mounting tape allows for greater convenience when installing

Continuous wire through LED module uses IDC connectors for maximum strain relief

Robust, overmolded design protects against moisture, dust and damage

Can be cut on wires between modules

Pre-drilled holes make mounting easy

10-year limited warranty

Components

SKU	Order Code	Description	Color	Strip Quantity	Box Quantity
93145540	GEBI71-S2	Tetra Slim EdgeStrip 7100K	White	30 modules per strip, 1 strip per bag	5 bags (150 modules) per box
93145561	GEBI65-S2	Tetra Slim EdgeStrip 6500K	Warm White	30 modules per strip, 1 strip per bag	5 bags (150 modules) per box
93145563	GEBI50-S2	Tetra Slim EdgeStrip 5000K	Warm White	30 modules per strip, 1 strip per bag	5 bags (150 modules) per box
93145564	GEBI41-S2	Tetra Slim EdgeStrip 4100K	Warm White	30 modules per strip, 1 strip per bag	5 bags (150 modules) per box
93145565	GEBI32-S2	Tetra Slim EdgeStrip 3200K	Warm White	30 modules per strip, 1 strip per bag	5 bags (150 modules) per box
93145534	GEBIH71-S2	Tetra Slim EdgeStrip HO 7100K	White	30 modules per strip, 1 strip per bag	5 bags (150 modules) per box
93145535	GEBIH65-S2	Tetra Slim EdgeStrip HO 6500K	Warm White	30 modules per strip, 1 strip per bag	5 bags (150 modules) per box
93145537	GEBIH50-S2	Tetra Slim EdgeStrip HO 5000K	Warm White	30 modules per strip, 1 strip per bag	5 bags (150 modules) per box
93145538	GEBIH41-S2	Tetra Slim EdgeStrip HO 4100K	Warm White	30 modules per strip, 1 strip per bag	5 bags (150 modules) per box
93145539	GEBIH32-S2	Tetra Slim EdgeStrip HO 3200K	Warm White	30 modules per strip, 1 strip per bag	5 bags (150 modules) per box

*Other CCTs are available on a special order basis. Please reach out to your Current sales manager for details.

Technical Specifications

Product	CCT	Typical Brightness* Lumens/module	LEDs/ Module	Energy Consumption* Module Wattage	Energy Consumption* System Wattage	100W GLX Power Supply Loading**	Viewing Angle
Tetra Slim EdgeStrip	7100K, 6500K, 5000K, 4100K	157	3	1.44W/module	1.69W/module	57 Modules (11.4 m)	15° x 35°
Tetra Slim EdgeStrip	3200K	140	3	1.44W/module	1.69W/module	57 Modules (11.4 m)	15° x 35°
Tetra Slim EdgeStrip High Output	7100K, 6500K, 5000K, 4100K	235	3	2.16W/module	2.54W/module	38 Modules (7.6 m)	15° x 35°
Tetra Slim EdgeStrip High Output	3200K	210	3	2.16W/module	2.54W/module	38 Modules (7.6 m)	15° x 35°

*Typical performance at 25C +/- 10%

Additional Specifications

Specification Item	Specification				
Voltage	24VDC				
Dimmable	Yes (with dimmable power supply)				
Cutting Resolution	Cut on wire between every module				
Power Supply	GEPS24-25U Input: 100-305VAC; Output: 24VDC GEPS24-100U Input: 108-305VAC; Output: 24VDC GEPS24-150U Input: 176-305VAC; Output: 24VDC GEPS24-200U Input: 90-305VAC; Output: 24VDC GEPS24-300U Input: 108-305VAC; Output: 24VDC				
Maximum Remote Mounting Distance					
	25W Power Supply	18 AWG/0.82 mm ² Supply Wire	16 AWG/1.31 mm ² Supply Wire	14 AWG/2.08 mm ² Supply Wire	12 AWG/3.31 mm ² Supply Wire
	100W Power Supply	120 ft./36.6 m	-	-	-
	150W Power Supply	20 ft./6.1 m	25 ft./7.6 m	35 ft./10.6 m	40 ft./12.1 m
	200W Power Supply	20 ft./6.1 m	25 ft./7.6 m	35 ft./10.6 m	40 ft./12.1 m
	300W Power Supply	20 ft./6.1 m	25 ft./7.6 m	35 ft./10.6 m	40 ft./12.1 m
	Wiring to be installed in accordance with Article 725 of the National Electric Code (NEC).				
Operating Environment	-40 °C to +60 °C (-40 °F to +140 °F)				
Dimensions (L x W x H)	3.76"x0.79"x0.56" (95.5 x 20 x 14.2 mm)				
Warranty	Current offers a limited system warranty of up to ten (10) years				
System Certifications	UL Recognized #E219167, UL Classified #E229508, CE, UKCA, IP66 rated: separate enclosure required, damp location rated				

