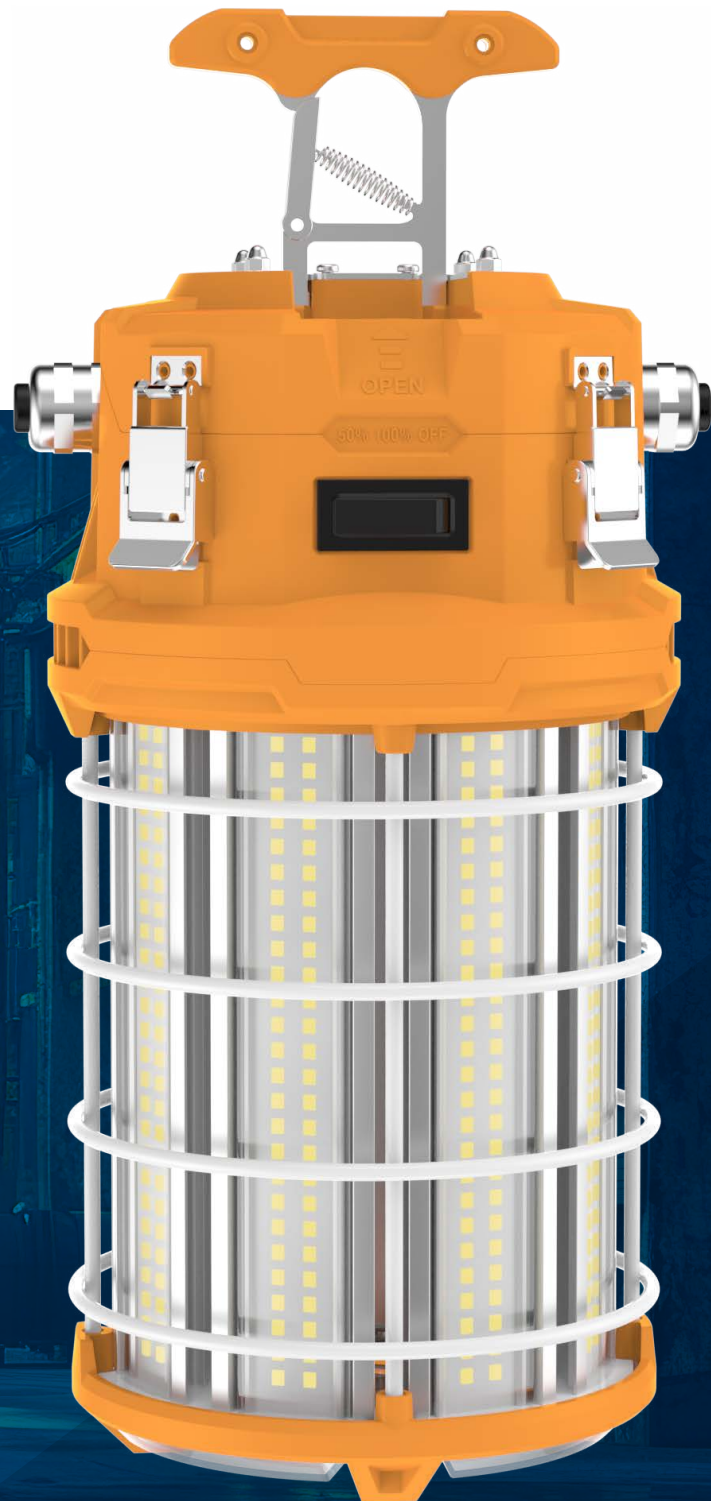


**NICOR<sup>®</sup>**

**UWL**

360° LED Work Light



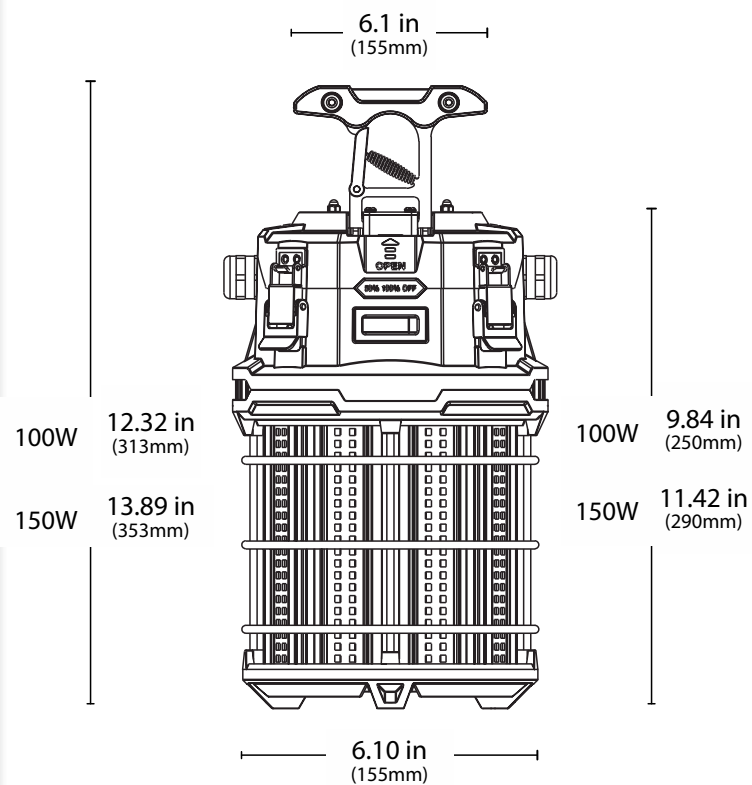


# UWL

## 360° Work Light

The NICOR UWL is a contractor-grade LED Work Light, designed as rugged temporary lighting for construction sites, outdoor projects, or other unfinished locations. Built with a rugged, easy access housing, this light is engineered to withstand the demands of professional work. The integrated hook allows for easy hanging or positioning in a variety of setups. Lightweight, portable, and built for tough conditions, this work light is the perfect tool to help you get the job done safely and efficiently.

### Dimensions



## FEATURES

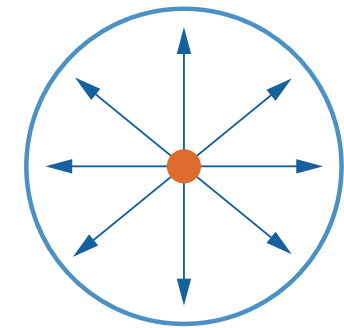
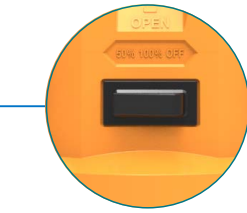


### Convenient Mounting Hook

The integrated, foldable hook enables easy hanging anywhere, providing flexibility in any workspace.

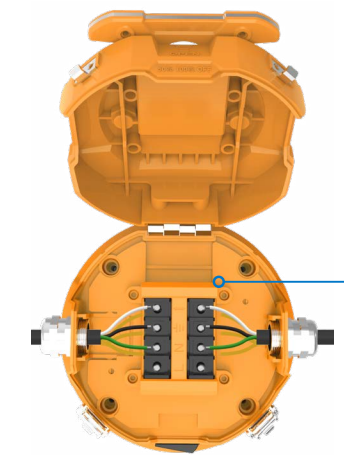
### Three-Option Switch

Non-dimmable with a 3-option switch (50%, 100%, Off) for adjustable brightness, essential for powering off hardwired fixtures.



### 360° Coverage

The UWL's 360° light and up/down arrays provide broad coverage and visibility, ideal for job sites or large areas.

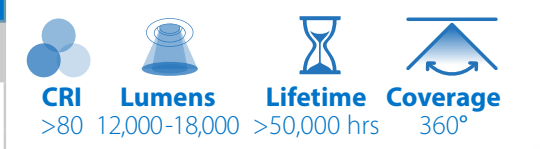


### Quick Access Wiring Compartment

Open-top design with secure latches allows for easy wiring access and maintenance.

Ordering Information		Example: UWL1150U58OR				
Series	Version	Wattage	Input Voltage	CCT	CRI	Finish Color
UWL	1	100 (100W)	U (120-277V)	5 (5000K)	8 (80+)	OR (Orange)
		150 (150W)				

Specifications and dimensions subject to change without notice. Please refer to the website for the most up-to-date information.



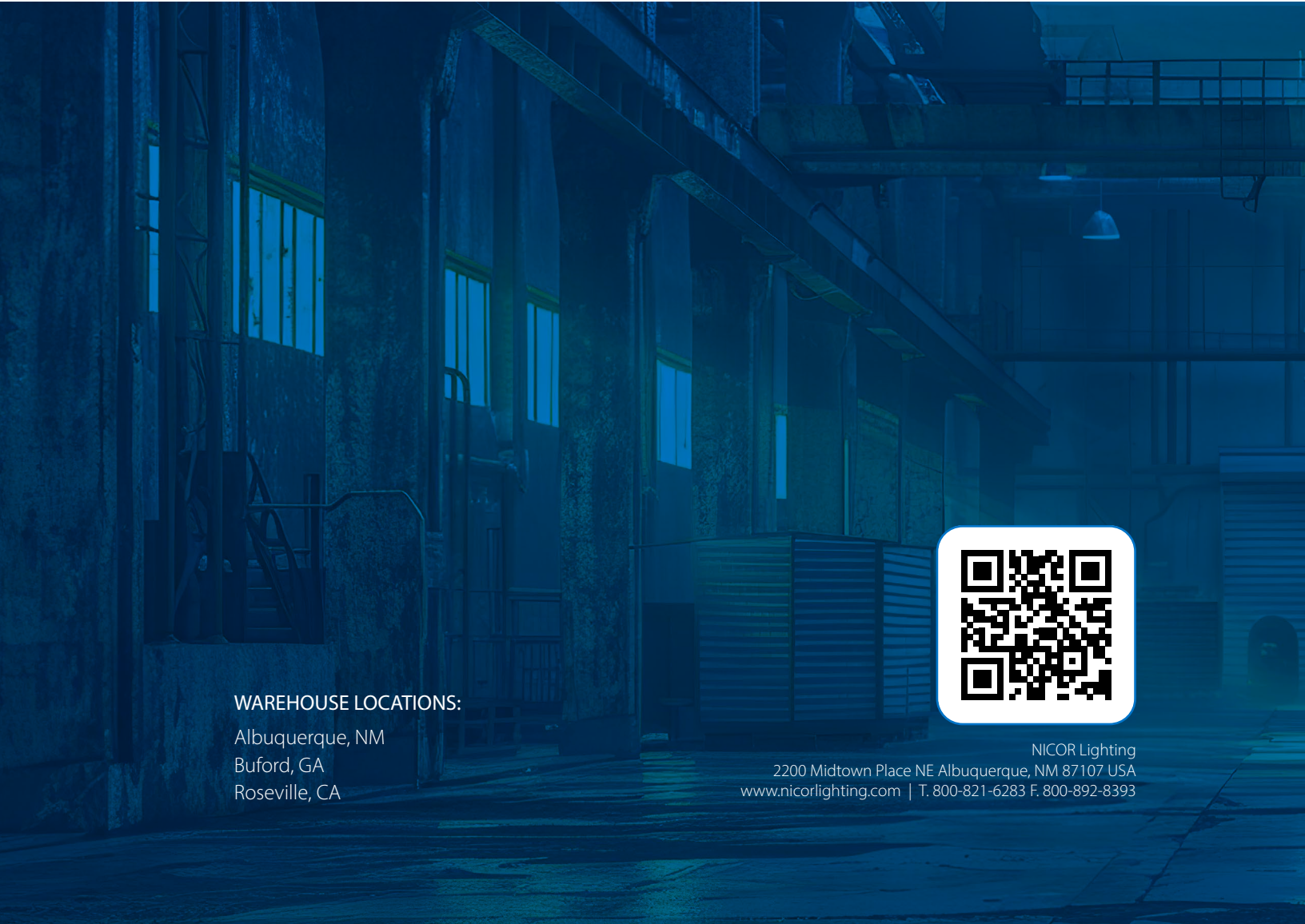
### Accessories (sold separately)



UWL1FLOORSTANDOR | Floorstand - Orange



UWL1MOUNTBRKTBK | Mounting Bracket - Black



**WAREHOUSE LOCATIONS:**

Albuquerque, NM  
Buford, GA  
Roseville, CA



NICOR Lighting  
2200 Midtown Place NE Albuquerque, NM 87107 USA  
[www.nicorlighting.com](http://www.nicorlighting.com) | T. 800-821-6283 F. 800-892-8393