



CUSTOMER NAME _____

Project Name _____

Date _____ Type _____

Catalog Number _____

DECAUX SMALL

2in Aperture Downlight

Decaux Small architectural downlights pack endless features into a true 2 inch aperture. Available in fixed and adjustable, the Decaux Series is versatile for nearly any downlight and wall wash application. Multiple bezel options, spec-grade finishes and an advanced optical design featuring Current's "Visual Comfort" lens brings your design to life without stealing the spotlight.

CONSTRUCTION

| | |
|--------------------------|--|
| Housing: | All metal construction with aluminum trim |
| Lens: | Silicone |
| Paint: | Powder coat painted in white, black or silver |
| Weight: | 5 lbs (2.7kg) total system |
| Optical Assembly: | High beam intensity, smooth beams with no color separation or pixelation |

CONTROLS

| | |
|-----------------|--|
| Dimming: | Standard 0–10V, Lutron PEQ Hi-lume 0.1% EcoSystem® |
| Sensors: | Daintree® Compatible w/ Controls Kit (see Ordering for additional info) |

CONTROLS

| | |
|--------------------------------|--|
| Lumens: | 1000–2000lm |
| Distribution: | Spot (16°), Narrow Flood (20°), Flood (25°), Wide Flood (35°) |
| Efficacy: | Up to 109 LPW |
| CCT: | 3000K, 3500K, 4000K |
| Adjustability Features: | 360° rotations and 35° tilt |
| CRI (Min): | 90 CRI |

LUMEN AMBIENT TEMPERATURE

| Product ID | OPERATING TEMPERATURE |
|------------|-----------------------|
| LDXB2 | -10° to +35° C |

LUMEN MAINTENANCE

| |
|---|
| Projected Lxx per IES TM-21 at max 25°C |
| LXX(10K) @ Hours |
| 50,000 HR |
| L85 |

ELECTRICAL

| | |
|--|--|
| Input Voltage: | 120–277V, 347V |
| Input Frequency: | 50/60Hz |
| Standard Dimming Control: | 0–10V, 1% Lutron hi-lume 0.1% Ecosystem |
| Power Factor (PF)*: | >0.9% |
| Total Harmonic Distortion (THD)*: | <20% |

* System PF and THD specified at rated watts

MOUNTING

- Retrofit to existing frame
- New construction, utilizing FRAME2R or FRAME2S option (Includes adjustable hanger bars)

DESIGN LIFE & WARRANTY

- Damp Location rated
- Current's ENERGY STAR® Limited 5-year Warranty: Please refer to document [IND599](#) for more information.



1. CATALOG LOGIC

LDXB2

0

9

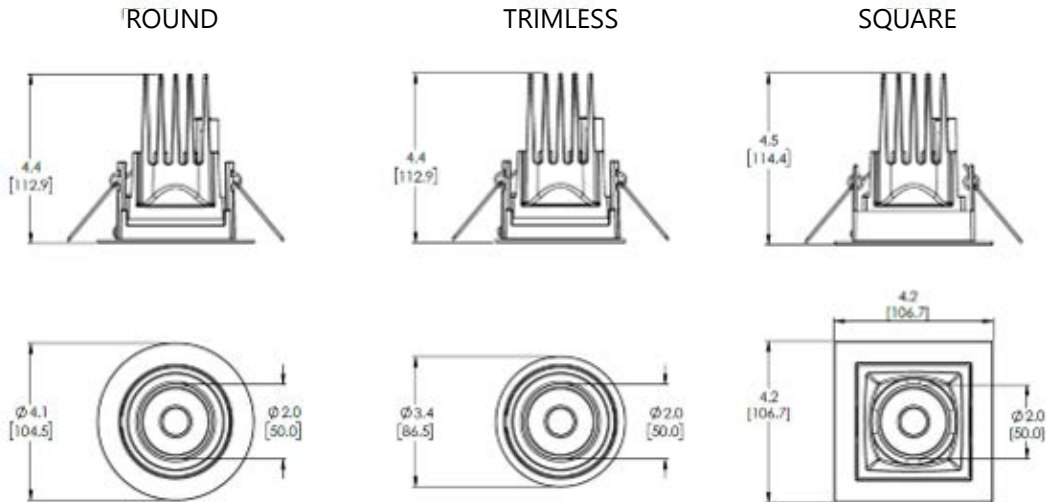
| FAMILY | FIXTURE TYPE | VOLTAGE | NOMINAL LUMEN | DISTRIBUTION | CRI | CCT | CONTROLS | FINISH | OPTIONS |
|---|--|----------------------|--|---|-------------------|---|--|--|--|
| LDXB2 = Lumination® Downlight, 2 inch Small Aperture | RA = Round Adjustable RF = Round Fixed SA = Square Adjustable SF = Square Fixed | 0 = 120-77VAC | 10 = 1000LM 15 = 1500LM 20 = 2000LM | SP = Spot (16°) NF = Narrow Flood (20°) FL = Flood (25°) WF = Wide Flood (35°) | 9 = 90 CRI | 30 = 3000K 35 = 3500K 40 = 4000K | V1 = 0-10V 1% LE = Lutron PEQ Hi-lume 0.1% EcoSystem® | WHTE = White SLVR = Silver BLCK = Black | (BLANK) = None XT* = Trimless <small>*XT option only available in Fixture Type "R"</small> |

| CCT | SCALING FACTOR |
|--------------|----------------|
| 3000K | 0.95 |
| 3500K | 1 |
| 4000K | 1.04 |

| NOMINAL LUMEN | 1000 LM | 1500 LM | 2000 LM |
|-----------------------------------|---------|---------|---------|
| Fixture Deliverable Lumens | 1029 | 1522 | 1915 |
| System Input Power (W) | 9.5 | 14.3 | 18.7 |
| System Efficacy (LPW) | 108.91 | 106.31 | 102.5 |

*Table based on 3500K CCT using white finish

2. PRODUCT DIMENSIONS



| CONFIGURATION | HOLE SIZE (INCHES) | CEILING THICKNESS (INCHES) |
|-----------------|-----------------------|----------------------------|
| ROUND | 3.75-4.0 | 0.5-1.5 |
| SQUARE | 3.75 x 3.75-4.0 x 4.0 | 0.5-1.5 |
| TRIMLESS | 3.5 | 0.5-1.5 |

Refer to accessories page for more information on frame kits

CUSTOMER NAME

Project Name _____

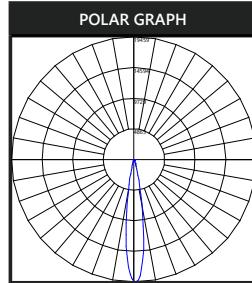
Date _____ Type _____

Catalog Number _____

PHOTOMETRIC DATA

2" Spot Distribution

LDXB2XX020SP935XX

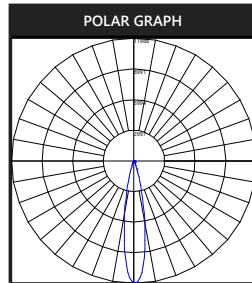


| Zone | Lumens |
|---------|---------|
| 0-10 | 1115.47 |
| 10-20 | 538.74 |
| 20-30 | 96.37 |
| 30-40 | 67.20 |
| 40-50 | 41.99 |
| 50-60 | 28.58 |
| 60-70 | 15.59 |
| 70-80 | 5.89 |
| 80-90 | 1.23 |
| 90-100 | 0.00 |
| 100-110 | 0.00 |
| 110-120 | 0.00 |
| 120-130 | 0.00 |
| 130-140 | 0.00 |
| 140-150 | 0.14 |
| 150-160 | 1.11 |
| 160-170 | 1.89 |
| 170-180 | 0.80 |

| Zone | Lumens | % of Fixture |
|----------------------------|---------|--------------|
| 0-20 | 1654.21 | 86.40 |
| 0-30 | 1750.58 | 91.40 |
| 0-40 | 1817.78 | 94.90 |
| 0-60 | 1888.35 | 98.60 |
| 0-80 | 1909.83 | 99.70 |
| 0-90 | 1911.06 | 99.80 |
| 10-90 | 795.59 | 41.50 |
| 20-40 | 163.57 | 8.50 |
| 20-50 | 205.56 | 10.70 |
| 40-70 | 86.16 | 4.50 |
| 60-80 | 21.48 | 1.10 |
| 70-80 | 5.89 | 0.30 |
| 80-90 | 1.23 | 0.10 |
| 90-110 | 0.00 | 0.00 |
| 90-120 | 0.00 | 0.00 |
| 90-130 | 0.00 | 0.00 |
| 90-150 | 0.14 | 0.00 |
| 90-180 | 3.94 | 0.20 |
| Total Luminaire Efficiency | 2.94 | N.A.% |
| 0-180 | 1915.00 | 100.00 |

2" Narrow Flood Distribution

LDXB2XX020NF935XX



| Zone | Lumens |
|---------|--------|
| 0-10 | 800.00 |
| 10-20 | 668.83 |
| 20-30 | 158.18 |
| 30-40 | 79.80 |
| 40-50 | 53.10 |
| 50-60 | 33.24 |
| 60-70 | 16.31 |
| 70-80 | 3.35 |
| 80-90 | 0.32 |
| 90-100 | 0.17 |
| 100-110 | 0.17 |
| 110-120 | 0.16 |
| 120-130 | 0.16 |
| 130-140 | 0.18 |
| 140-150 | 0.36 |
| 150-160 | 1.09 |
| 160-170 | 1.55 |
| 170-180 | 0.65 |

| Zone | Lumens | % of Fixture |
|---------|---------|--------------|
| 0-20 | 1468.83 | 80.80 |
| 0-30 | 1627.00 | 89.50 |
| 0-40 | 1706.8 | 93.90 |
| 0-60 | 1793.14 | 98.70 |
| 0-80 | 1812.79 | 99.70 |
| 0-90 | 1813.12 | 99.80 |
| 10-90 | 1013.12 | 55.70 |
| 20-40 | 237.98 | 13.10 |
| 20-50 | 291.07 | 16.00 |
| 40-70 | 102.65 | 5.60 |
| 60-80 | 19.65 | 1.10 |
| 70-80 | 3.35 | 0.20 |
| 80-90 | 0.32 | 0.00 |
| 90-110 | 0.34 | 0.00 |
| 90-120 | 0.50 | 0.00 |
| 90-130 | 0.66 | 0.00 |
| 90-150 | 1.20 | 0.10 |
| 90-180 | 4.49 | 0.20 |
| 110-180 | 4.15 | 0.20 |
| 0-180 | 1817.61 | 100.00 |

Total Luminaire Efficiency = N.A.%

CUSTOMER NAME

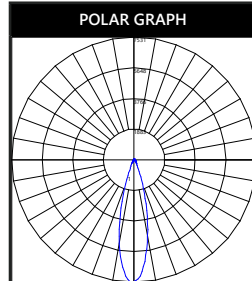
Project Name _____

Date _____ Type _____

Catalog Number _____

PHOTOMETRIC DATA

2" Flood Distribution LDXB2XX020FL935XX

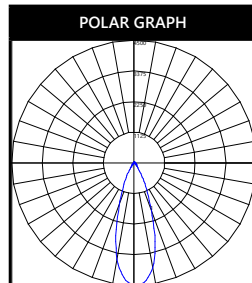


| ZONAL LUMEN SUMMARY | |
|---------------------|--------|
| Zone | Lumens |
| 0-10 | 584.96 |
| 10-20 | 785.16 |
| 20-30 | 272.35 |
| 30-40 | 122.54 |
| 40-50 | 72.97 |
| 50-60 | 44.56 |
| 60-70 | 21.52 |
| 70-80 | 5.77 |
| 80-90 | 1.03 |
| 90-100 | 0.00 |
| 100-110 | 0.00 |
| 110-120 | 0.00 |
| 120-130 | 0.00 |
| 130-140 | 0.02 |
| 140-150 | 0.42 |
| 150-160 | 1.26 |
| 160-170 | 1.68 |
| 170-180 | 0.74 |

| ZONAL LUMEN SUMMARY | | |
|---------------------|---------|--------------|
| Zone | Lumens | % of Fixture |
| 0-20 | 1370.13 | 71.50 |
| 0-30 | 1642.48 | 85.80 |
| 0-40 | 1765.02 | 92.20 |
| 0-60 | 1882.56 | 98.30 |
| 0-80 | 1909.84 | 99.70 |
| 0-90 | 1910.88 | 99.80 |
| 10-90 | 1325.91 | 69.20 |
| 20-40 | 394.90 | 20.60 |
| 20-50 | 467.87 | 24.40 |
| 40-70 | 139.05 | 7.30 |
| 60-80 | 27.29 | 1.40 |
| 70-80 | 5.77 | 0.30 |
| 80-90 | 1.03 | 0.10 |
| 90-110 | 0.00 | 0.00 |
| 90-120 | 0.00 | 0.00 |
| 90-130 | 0.00 | 0.00 |
| 90-150 | 0.44 | 0.00 |
| 90-180 | 4.12 | 0.20 |
| 110-180 | 4.12 | 0.20 |
| 0-180 | 1915.00 | 100.00 |

Total Luminaire Efficiency = N.A.%

2" Wide Flood Distribution LDXB2XX020WF935XX



| ZONAL LUMEN SUMMARY | |
|---------------------|--------|
| Zone | Lumens |
| 0-10 | 392.69 |
| 10-20 | 731.32 |
| 20-30 | 452.24 |
| 30-40 | 180.78 |
| 40-50 | 80.36 |
| 50-60 | 46.05 |
| 60-70 | 21.23 |
| 70-80 | 5.49 |
| 80-90 | 0.95 |
| 90-100 | 0.00 |
| 100-110 | 0.00 |
| 110-120 | 0.00 |
| 120-130 | 0.00 |
| 130-140 | 0.15 |
| 140-150 | 0.55 |
| 150-160 | 1.24 |
| 160-170 | 1.38 |
| 170-180 | 0.60 |

| ZONAL LUMEN SUMMARY | | |
|---------------------|---------|--------------|
| Zone | Lumens | % of Fixture |
| 0-20 | 1124.00 | 58.70 |
| 0-30 | 1576.24 | 82.30 |
| 0-40 | 1757.02 | 91.70 |
| 0-60 | 1883.43 | 98.40 |
| 0-80 | 1910.15 | 99.70 |
| 0-90 | 1911.1 | 99.80 |
| 10-90 | 1518.42 | 79.30 |
| 20-40 | 633.01 | 33.10 |
| 20-50 | 713.38 | 37.30 |
| 40-70 | 147.65 | 7.70 |
| 60-80 | 26.72 | 1.40 |
| 70-80 | 5.49 | 0.30 |
| 80-90 | 0.95 | 0.00 |
| 90-110 | 0.00 | 0.00 |
| 90-120 | 0.00 | 0.00 |
| 90-130 | 0.00 | 0.00 |
| 90-150 | 0.70 | 0.00 |
| 90-180 | 3.91 | 0.20 |
| 110-180 | 3.91 | 0.20 |
| 0-180 | 1915.02 | 100.00 |

Total Luminaire Efficiency = N.A.%

CUSTOMER NAME

Project Name _____

Date _____ Type _____

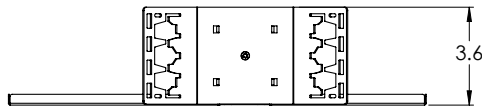
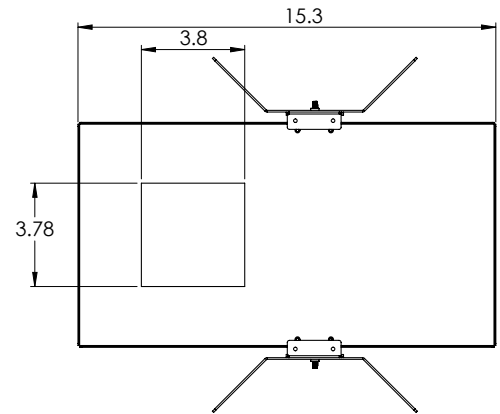
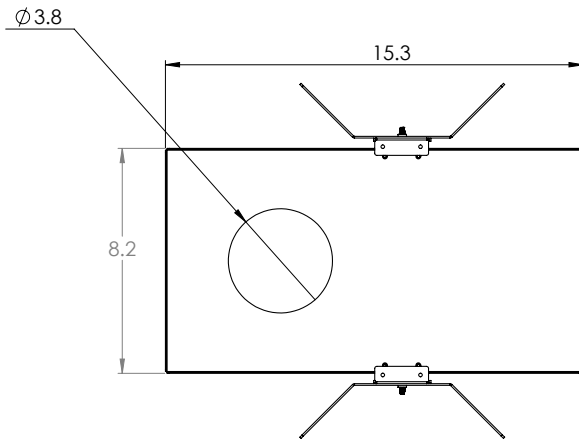
Catalog Number _____

ACCESSORIES

| PRODUCT DESCRIPTION | MATERIAL DESCRIPTION | MATERIAL | COMPATIBLE PRODUCTS |
|--|----------------------|----------|------------------------------------|
| C-CHANNEL – 25 1/4", HANGER BAR (BOXED PAIR) | BH3 | 93110306 | LDX, FRAME KITS |
| 347V KIT | LRX347V277 | 93036250 | 347V TRANSFORMER QUICK CONNECT KIT |

FRAME KIT

| PRODUCT DESCRIPTION | MATERIAL DESCRIPTION | MATERIAL | NOTES |
|--------------------------------------|----------------------------------|----------|---|
| 2" NEW CONSTRUCTION SQUARE FRAME KIT | LDXBSA-KIT-ROUGH-IN-PLATE-SQUARE | 93142594 | RECOMMENDED FOR NEW CONSTRUCTION APPLICATIONS; INCLUDES ADJUSTABLE HANGER BARS (BOXED PAIR) |
| 2" NEW CONSTRUCTION ROUND FRAME KIT | LDXBSA-KIT-ROUGH-IN-PLATE-ROUND | 93142595 | RECOMMENDED FOR NEW CONSTRUCTION APPLICATIONS; INCLUDES ADJUSTABLE HANGER BARS (BOXED PAIR) |



| CONFIGURATION | HOLE SIZE (INCHES) | DIMENSIONS (INCHES) |
|---------------|--------------------|---------------------|
| ROUND | 3.8 | 15.3 x 8.2 x 3.6 |
| SQUARE | 3.8 x 3.8 | |

DAINTREE CONTROLS

Daintree® Wireless Controls:

There is no one size fits all for wireless controls. Some networks want simple solutions that reduce energy consumption and meet code compliance while others are more ambitious, looking to capitalize on the LED and controls savings to fund a scalable, enterprise-grade, internet of things solution. The advantage of the Daintree® Wireless platform is it's ability to integrate into indoor, outdoor and high bay environments. The Daintree® Wireless Controls provide the infrastructure to future proof your buildings, easily upgrade to Networked solutions and provide the ability to integrate into IoT solutions that are right for your business.

- **Daintree® One:** Standalone Wireless Controls
- **Daintree® EZ Connect:** Room-Based Wireless Lighting Controls
- **Daintree® Networked:** Networked Lighting Controls for Smart Building & IoT Enablement

Daintree® Wireless Controls are already integrated in your favorite Current LED fixtures. Integrating the controls into the fixture cuts labor costs considerably since the sensors are already embedded in the lighting fixtures. There's no need to get above the ceiling plenum and install additional devices. Visit our website <https://products.gecurrent.com> for a complete list of LED Fixtures.

The LDX Series Architectural Luminaire will offer Daintree® Networked integral controls (Controls options TQ & TS). Integral sensors and IoT devices are not offered at this time.

LUTRON PEQ HI-LUME 0.1% ECOSYSTEM®

0.1% Dimming for virtually any LED fixture

Compatibility

- Available in two form factors
- Supports a wide range of current and voltage levels (up to 53 watts)

Unmatched performance

- Dims continuously from a 100% to 0.1% lighting level
- Precision microprocessor control and integral thermal management