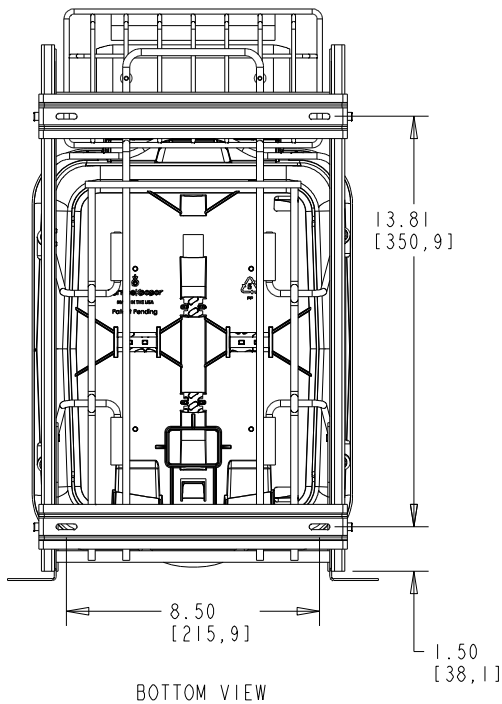
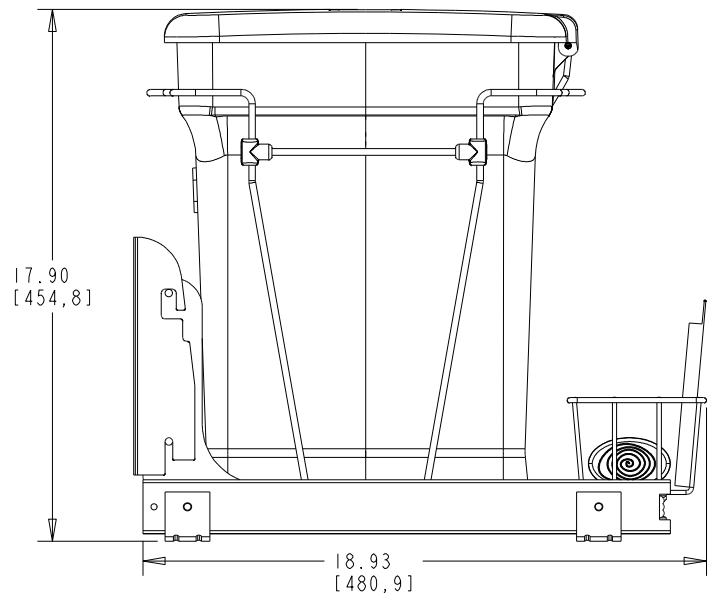
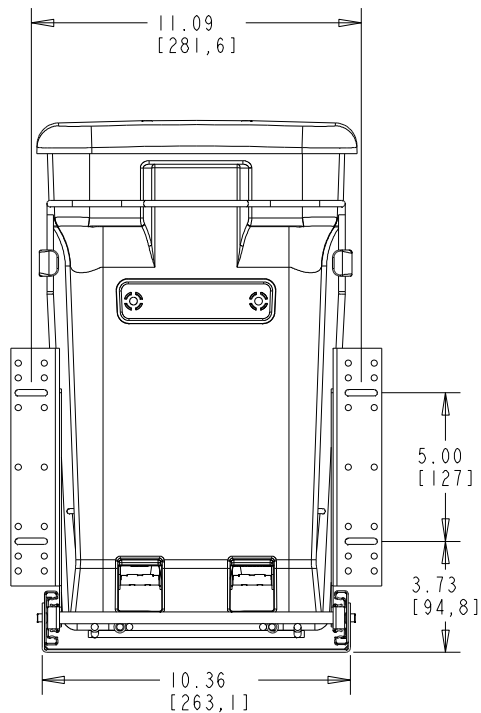
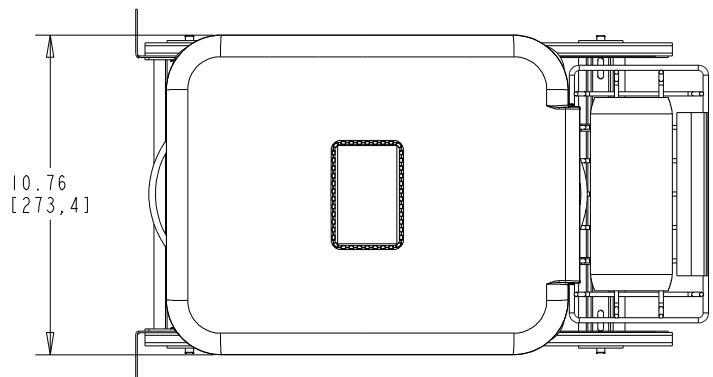


NOTE: SHOWN WITH BAGS AND BOX OF FILTERS IN BACK BASKET.



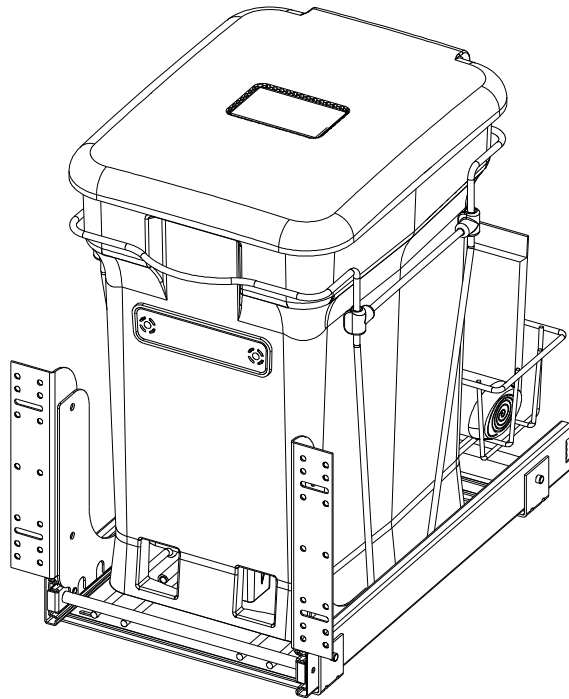
BOTTOM VIEW

CUSTOMER DRAWING

This drawing is the property of Rev-A-Shelf (RAS) and is disclosed in confidence to the extent its subject matter is original to RAS. Any vendor receiving this drawing from RAS shall hold and use this drawing for the sole benefit of RAS and shall not disclose it to, or use or reproduce it for any third party, or perform any act adverse to the interest of RAS with respect to this drawing without the express written permission of RAS. Vendors shall not revise any physical, dimensional or performance characteristic unless authorized by Rev-A-Shelf Engineering.

REV.	DATE	BY	DESCRIPTION OF CHANGE

INCH [MM]	AMERICAN PROJECTION	BY	DATE	REV-A-SHELF [®] , Inc.	
		DRAWN	KRR	11-01-19	SIZE
TOLERANCES		MATERIAL	DRAWING NO.	SCALE	
MAT. DEC.		FINISH	RV-12KD-CKxx-S	0.250	
(WOOD) .XX ±.03 [8mm]			PART NO.	RV-12KD-CKxx-S	SHEET
(OTHER) .XX ±.02 [5mm]				1	
(ALL) .XX ±.005 [1.3 mm]					
FRACTIONS ±1/32 [8 mm]					



PART DIMENSIONS		
	MIN	MAX
WIDTH	10.76	
DEPTH	18.93	
HEIGHT	17.90	
CONTAINER CAPACITY		
CONTAINER UOM		

MIN CABINET OPENING				
	FACE FRAME	FRAMELESS	INSET FACE FRAME	INSET FRAMELESS
WIDTH	11.00	11.00	11.00	11.00
DEPTH	19.00	19.00	19.75	19.75
HEIGHT	18.25	18.25	18.25	18.25

SLIDE SPECIFICATIONS				
SLIDE MANUFACTURER		RELEASE PART NUMBER		
SLIDE PART NUMBER		SLIDE TYPE	BALL BEARING	
SLIDE CLOSING	NORMAL	SLIDE EXTENSION	FULL	MAX WEIGHT RATING
SLIDE MOUNTING	BOTTOM	SLIDE LENGTH	17.75 [450]	
		SLIDE FINISH	ZINC	100 LB

CUSTOMER DRAWING

This drawing is the property of Rev-A-Shelf (RAS) and is disclosed in confidence to the extent its subject matter is original to RAS. Any vendor receiving this drawing from RAS shall hold and use this drawing for the sole benefit of RAS and shall not disclose it to, or use or reproduce it for any third party, or perform any act adverse to the interest of RAS with respect to this drawing without the express written permission of RAS. Vendors shall not revise any physical, dimensional or performance characteristic unless authorized by Rev-A-Shelf Engineering.

REV.	DATE	BY	DESCRIPTION OF CHANGE

INCH [MM]	AMERICAN PROJECTION	BY	DATE	REV-A-SHELF [®] , Inc.
		DRAWN	KRR	
MATERIAL				SIZE B
DRAWING NO.				RV12 COMPO
FINISH				SCALE 0.250
PART NO.				SHEET 2 OF 2
RV-12KD-CKxx-S				

TOLERANCES
 MAT. DEC.
 (WOOD) .XX ±.03 [.8mm]
 (OTHER) .XX ±.02 [.5mm]
 (ALL) .XX ±.005 [.13 mm]
 FRACTIONS ±1/32 [.8 mm]

ANGLES ±1/2°