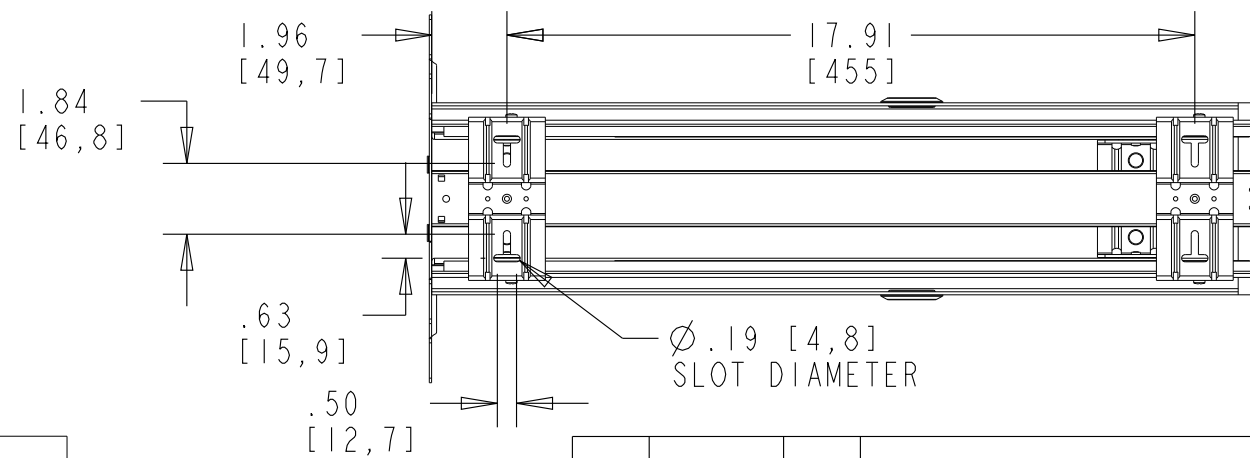
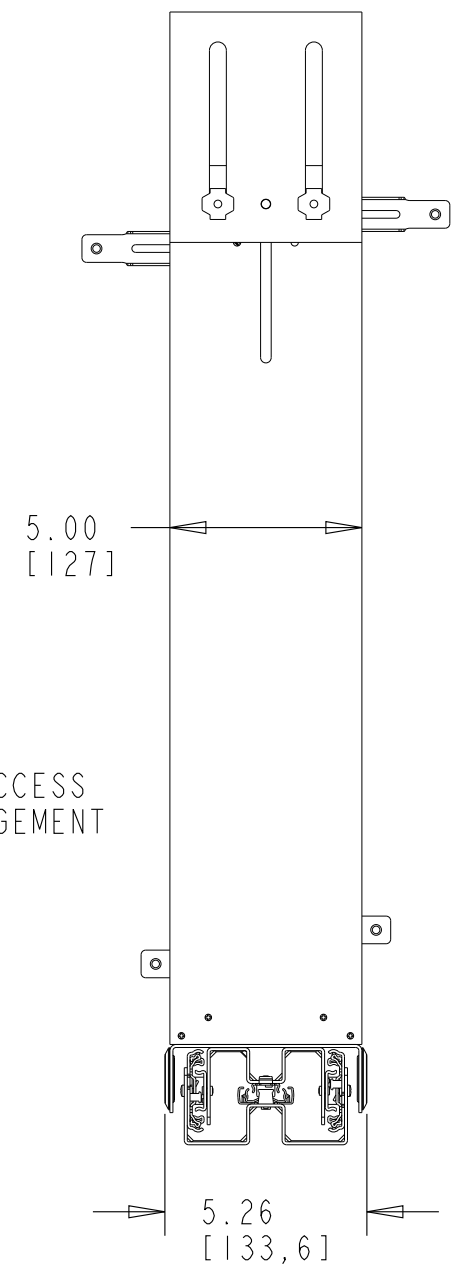


SNAP PLUG CAN BE REMOVED TO GAIN ACCESS FOR SLIDE DISENGAGEMENT (BOTH SIDES)

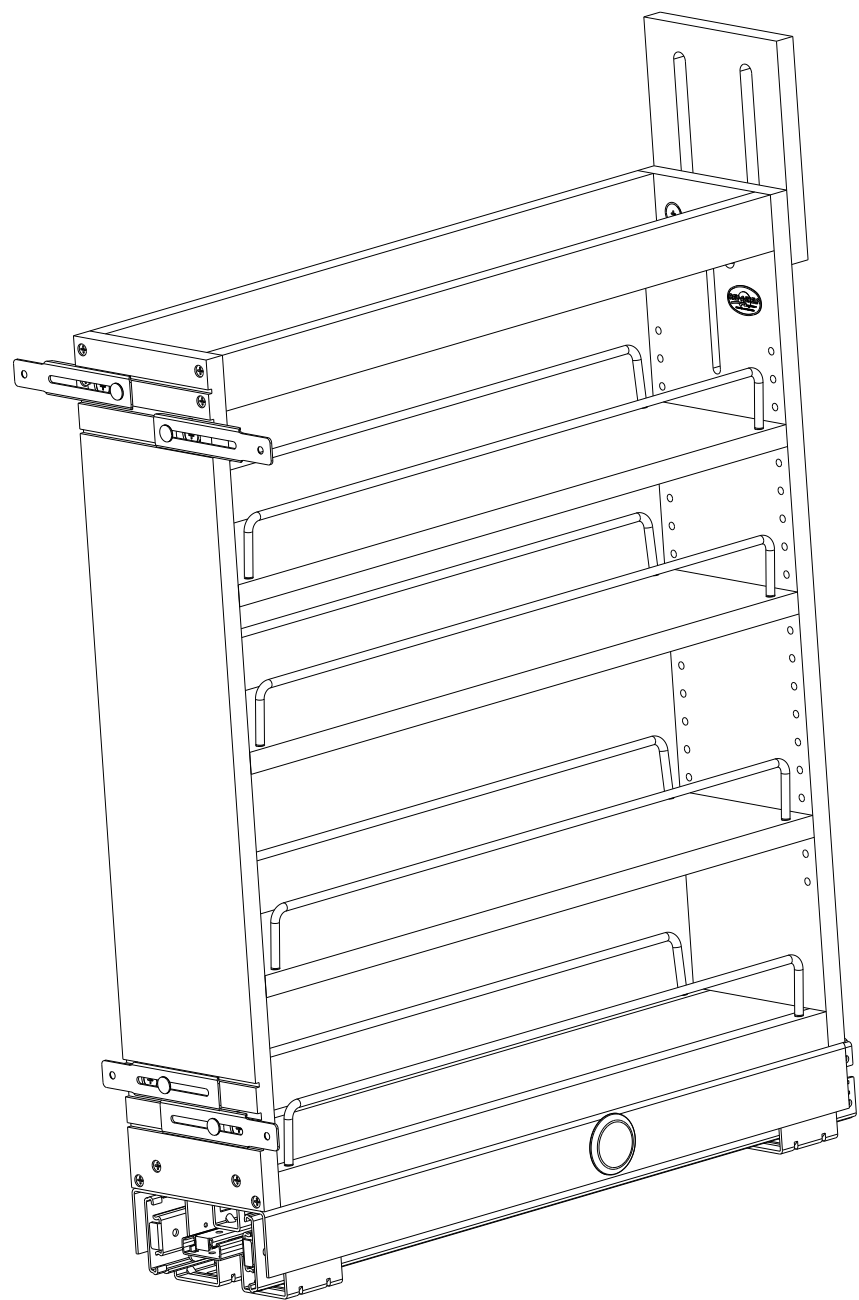


This drawing is the property of Rev-A-Shelf (RAS) and is disclosed in confidence to the extent its subject matter is original to RAS. Any vendor receiving this drawing from RAS shall hold and use this drawing for the sole benefit of RAS and shall not disclose it to, or use or reproduce it for any third party, or perform any act adverse to the interest of RAS with respect to this drawing without the express written permission of RAS. Vendors shall not revise any physical, dimensional or performance characteristic unless authorized by Rev-A-Shelf Engineering.

REV.	DATE	BY	DESCRIPTION OF CHANGE

INCH [MM]	AMERICAN PROJECTION 	BY	DATE	REV-A-SHELF, INC. 5" 448 PULLOUT WITH SOFT CLOSE BB SLIDES	
		DRAWN	PFC 4/19/12		
TOLERANCES		MATERIAL	DRAWING NO.	SCALE	
MAT. DEC. (WOOD) .XX ±.03 [.8mm] (OTHER) .XX ±.02 [.5mm] (ALL) .XXX ±.005 [.13 mm] FRACTIONS ±1/32 [.8 mm]		FINISH	448-BCBBSC-5C	0.200	
ANGLES ±1/2°		PART NO.		SHEET OF	
		448-BCBBSC-5C		1 2	

CUSTOMER DRAWING



PART DIMENSIONS		
	MIN	MAX
WIDTH	5.26 [133,6]	N/A
DEPTH	21.65 [550]	N/A
HEIGHT	25.50 [648]	29.50 [749,3]

MIN CABINET OPENING	
WIDTH	5.50 [140]
DEPTH	21.75 [552]
HEIGHT	25.75 [654]

SLIDE SPECIFICATIONS				
SLIDE TYPE	BALL BEARING	SLIDE EXTENSION	FULL	MAX WEIGHT RATING
SLIDE CLOSING	SELF/SOFT	SLIDE LENGTH	21.65 [550]	
SLIDE MOUNTING	TRI-SLIDE	SLIDE FINISH	ZINC	150 LB SLIDE

CUSTOMER DRAWING

This drawing is the property of Rev-A-Shelf (RAS) and is disclosed in confidence to the extent its subject matter is original to RAS. Any vendor receiving this drawing from RAS shall hold and use this drawing for the sole benefit of RAS and shall not disclose it to, or use or reproduce it for any third party, or perform any act adverse to the interest of RAS with respect to this drawing without the express written permission of RAS. Vendors shall not revise any physical, dimensional or performance characteristic unless authorized by Rev-A-Shelf Engineering.

REV.	DATE	BY	DESCRIPTION OF CHANGE

INCH [MM]	AMERICAN PROJECTION 	DRAWN	BY	DATE	REV-A-SHELF, INC.
			PFC	4/19/12	
TOLERANCES		ANGLES ±1/2°	MATERIAL	DRAWING NO.	SCALE
MAT.	DEC.		FINISH	448-BCBBSC-5C	0.200
(WOOD) .XX ±.03 [.8mm]	(OTHER) .XX ±.02 [.5mm]		PART NO.	448-BCBBSC-5C	SHEET OF
(ALL) .XXX ±.005 [.13 mm]	FRACTIONS ±1/32 [.8 mm]				2 OF 2