



# Tetra<sup>®</sup> EdgeLine

CANOPY LIGHTING SYSTEMS

Slim wall wash fixture for  
canopies and awnings

Tetra EdgeLine delivers brilliant performance in wall wash and canopy lighting applications. The EdgeLine's slim form factor is suitable for mounting in tight application spaces, and its symmetric optical design evenly distributes bright light exactly where you need it.

## Tetra® EdgeLine Features

- Maximizes coverage through wide, uniform symmetric light distribution, with no scalloping

- Extruded plastic design protects against moisture, dust and damage

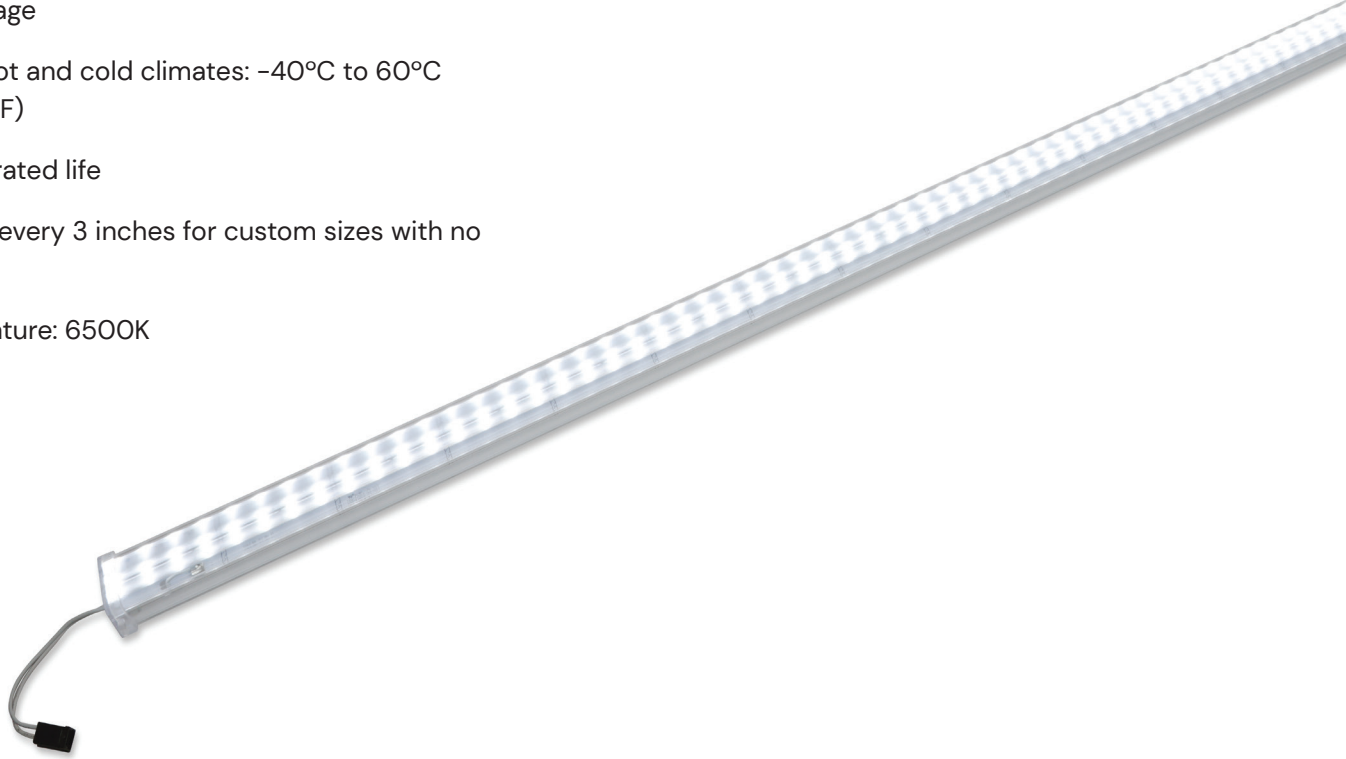
- Functions in hot and cold climates: -40°C to 60°C (-40°F to 140°F)

- 50,000-hour rated life

- Field cuttable every 3 inches for custom sizes with no waste

- Color Temperature: 6500K

- Size: 4 ft



## Tetra® EdgeLine Specifications

- Wide, symmetric beam angle

- Efficacy: 156 lm/W

- 24 Volt DC, Class 2 (UL), Class III (IEC)

- IP66 and Damp rated

- 10-year limited warranty

## Total Reliability

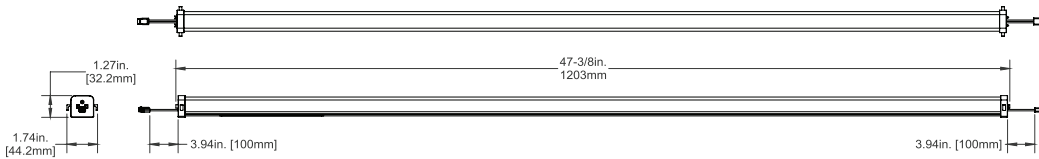
To ensure every Tetra® EdgeLine installation will operate brilliantly for years, we perform the most extensive, stringent testing in the industry. We test the LED, water and dust ingress protection, sub-system and complete system at our in-house and independent laboratories around the world. Validation of our designs, components, products and processes include high temperature, high humidity and accelerated life testing.



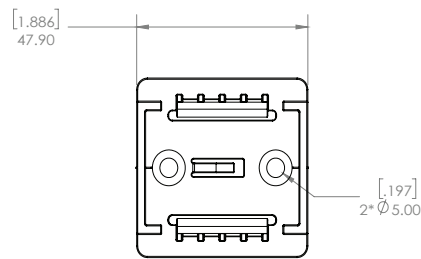
## Mechanical Outline

Dimensions in (inches). Metric equivalent mm

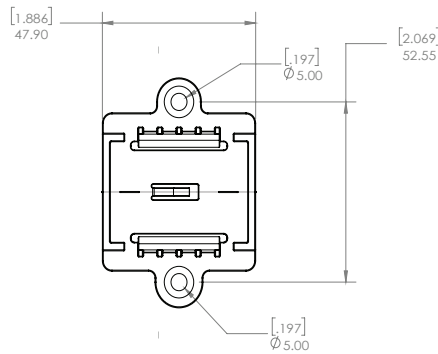
48inch Tetra Edgeline Cuttable Light Bar



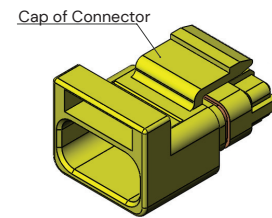
### Slim Straight Bracket



### Straight Bracket



### Sealed Connector Cover



## Accessories

SKU	Model Number	Description	Package Quantity
88818	Wet Clip-Std	Standard Mounting Clip	12 clips per bag
10734	Wet Clip-Slim	Slim Mounting Clip	12 clips per bag
93155837	Sealed Cap and gasket	Sealed cap and gasket for field cuts	20
93155838	Sealed Connector Cover	Cover to terminate the connector	50
93155625	GE-JC24IN-66M-66F	Jumper cable to add cable length between bars	50
93155627	GE-LC24IN-66F	24" (609 mm) leader cable with IP66 female connector	50
93155628	GE-LC24IN-66M	24" (609 mm) leader cable with IP66 male connector	50

# Components

SKU	Model	Details	Color	Quantity
93155556	GELW4865-1	48" Cuttable Wall Wash Linear Bar	White	10 bars per box

## Technical Specifications

Model	Wavelength/ CCT	Typical Brightness* Lumens/bar	Typical Wattage* (W)	25W Power Supply	80W Power Supply	100W GLX Power Supply	200W GLX Power Supply	300W GLX Power Supply	Maximum light bars in series connection (s)
GELW4865-1	6500K	2600	16.7	1 bar/ 3 ft. 11.4 in (1.2 m)	4 bars/ 15 ft. 9.5 in. (4.81m)	5 bars/ 19 ft. 9 in. (6.02 m)	5 bars/ 19 ft. 9 in. (6.02 m) per bank  10 bars/ 39 ft. 6 in. (12 m) per PS	5 bars/ 19 ft. 9 in. (6.02 m) per bank  15 bars/ 59 ft. 3 in. (18.06 m) per PS	3 bars/ 11 ft. 10-1/8 in. (3.61 m)

\*Typical performance at 25C +/- 10%

## Additional Specifications

Specification	Specification			
<b>Voltage</b>	24VDC			
<b>Cutting Resolution</b>	Can be cut every 3 inches (76 mm)			
<b>Dimmable</b>	Yes (with dimmable power supply)			
<b>Power Supply</b>	GESPS24-25U-NA GEP24D-80U GEP24-100U-GLX GEP24-100U-GLX2 GEP24-100U-TT GEP24-200U-GLX2 GEP24-300U-GLX2 USVI-100024FE USVI-100024FBA	Input: 100-305VAC; Output: 24VDC Input: 90-305VAC; Output: 24VDC Input: 108-305VAC; Output: 24VDC Input: 108-305VAC; Output: 24VDC Input: 108-305VAC; Output: 24VDC Input: 90-305VAC; Output: 24VDC Input: 108-305VAC; Output: 24VDC Input: 108-305VAC; Output: 24VDC Input: 108-305VAC; Output: 24VDC		
<b>Maximum Remote Mounting Distance</b>		<b>18 AWG/0.82 MM<sup>2</sup> Supply Wire</b>	<b>16 AWG/1.31 MM<sup>2</sup> Supply Wire</b>	<b>14 AWG/2.08 MM<sup>2</sup> Supply Wire</b>
	25W Power Supply	66 ft./20.1 m	-	-
	80W Power Supply	5 ft./1.5 m	8 ft./2.4 m	14 ft./4.3 m
	100W Power Supply	5 ft./1.5 m	8 ft./2.4 m	14 ft./4.3 m
	108W Power Supply	5 ft./1.5 m	8 ft./2.4 m	14 ft./4.3 m
	200W Power Supply	5 ft./1.5 m	8 ft./2.4 m	14 ft./4.3 m
300W Power Supply	5 ft./1.5 m	8 ft./2.4 m	14 ft./4.3 m	22 ft./6.7 m
<b>Operating Environment</b>	-40 °C to +60 °C (-40 °F to +140 °F)			
<b>Dimensions (L x W x H)</b>	47.37" x 1.74" x 1.27" (1203 mm x 44.2 mm x 32.2 mm)			
<b>Warranty</b>	Current offers a limited system warranty of up to ten (10) years			
<b>System Certifications</b>	UL Recognized (c-us) #E219167, UL Certified Retrofit Sign Conversion Kit (c-us) #E229508, CE, UKCA, ROHS, IP66, UL Damp Rated			