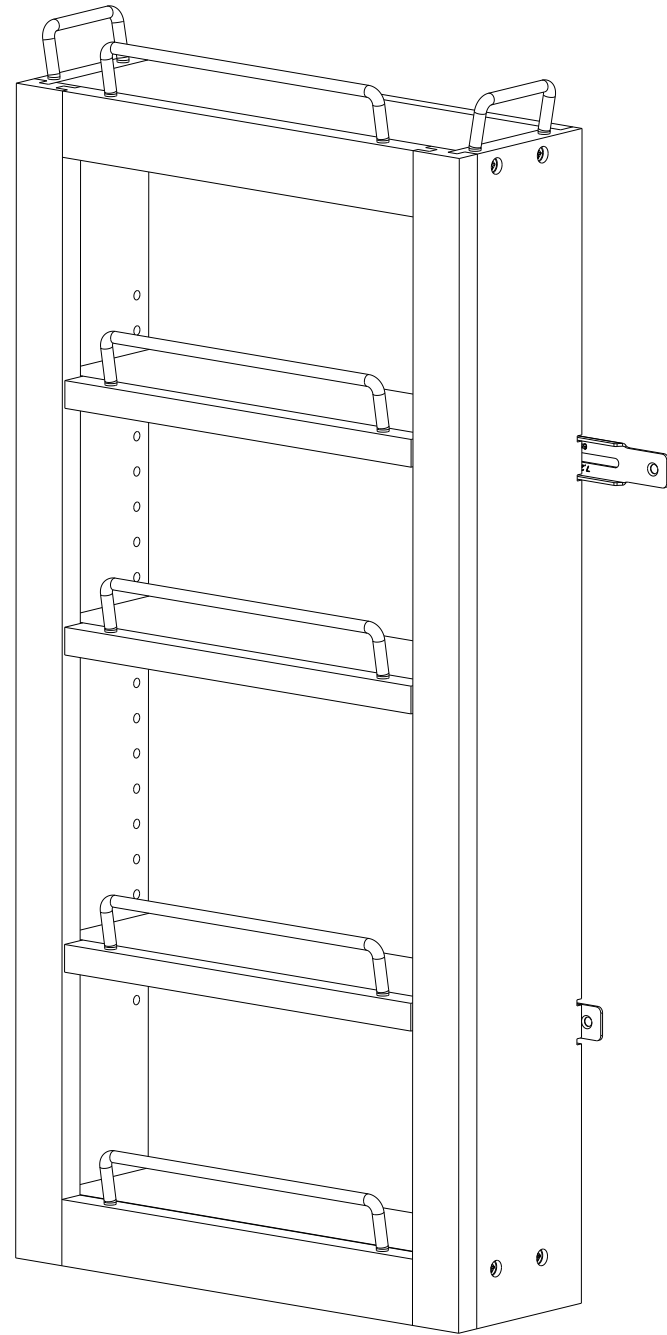


This drawing is the property of Rev-A-Shelf (RAS) and is disclosed in confidence to the extent its subject matter is original to RAS. Any vendor receiving this drawing from RAS shall hold and use this drawing for the sole benefit of RAS and shall not disclose it to, or use or reproduce it for any third party, or perform any act adverse to the interest of RAS with respect to this drawing without the express written permission of RAS. Vendors shall not revise any physical, dimensional or performance characteristic unless authorized by Rev-A-Shelf Engineering.

REV.	DATE	BY	DESCRIPTION OF CHANGE

INCH [MM]	AMERICAN PROJECTION	DRAWN	BY	DATE
			LKW	7-9-19
TOLERANCES		ANGLES ±1/2°	MATERIAL	DRAWING NO.
MAT.	DEC.		FINISH	PART NO.
(WOOD)	.XX ±.03 [8mm]			4WBDP18-25
(OTHER)	.XX ±.02 [5mm]			4WBDP18-25
(ALL)	.XXX ±.005 [13 mm]			
FRACTIONS	±1/32 [8 mm]			

CUSTOMER DRAWING			
REV-A-SHELF, INC.			
SIZE	25" PANTRY DOOR SINGLE WOOD UNIT WITH HARDWARE		
DRAWING NO.	4WBDP18-25		
SCALE	0.200		
PART NO.	4WBDP18-25		
SHEET OF	1 2		



PART DIMENSIONS	
WIDTH	12.00 [304,8]
DEPTH	4.00 [101,6]
HEIGHT *	25.00 [635]

* HEIGHT W/ TOP RAILS: 26.20 [665,4]

MIN CABINET OPENING				
	FACE FRAME	FRAMELESS	INSET FACE FRAME	INSET FRAMELESS
WIDTH	15.25 [387]	15.25 [387]	15.25 [387]	15.25 [387]
DEPTH	4.25 [108]	4.25 [108]	5.00 [127]	5.00 [127]
HEIGHT **	25.75 [654]	25.75 [654]	25.75 [654]	25.75 [654]

** IF USING TOP RAILS: 26.75 [679,5]

NOTES:

1. SLIDES: N/A
2. 3 SHELVES ARE ADJUSTABLE
3. BOTTOM SHELF NOT ADJUSTABLE

CUSTOMER DRAWING

This drawing is the property of Rev-A-Shelf (RAS) and is disclosed in confidence to the extent its subject matter is original to RAS. Any vendor receiving this drawing from RAS shall hold and use this drawing for the sole benefit of RAS and shall not disclose it to, or use or reproduce it for any third party, or perform any act adverse to the interest of RAS with respect to this drawing without the express written permission of RAS. Vendors shall not revise any physical, dimensional or performance characteristic unless authorized by Rev-A-Shelf Engineering.

REV.	DATE	BY	DESCRIPTION OF CHANGE

INCH [MM]	AMERICAN PROJECTION	DRAWN	BY	DATE	REV-A-SHELF, INC.
			LKW	7-9-19	
TOLERANCES		MATERIAL	DRAWING NO.		SCALE
MAT.	DEC.		FINISH	4WBDP18-25	
(WOOD) .XX ±.03 [8mm]	(OTHER) .XX ±.02 [5mm]	PART NO.		SHEET OF	
(ALL) .XXX ±.005 [13 mm]	FRACTIONS ±1/32 [8 mm]	4WBDP18-25		2 2	