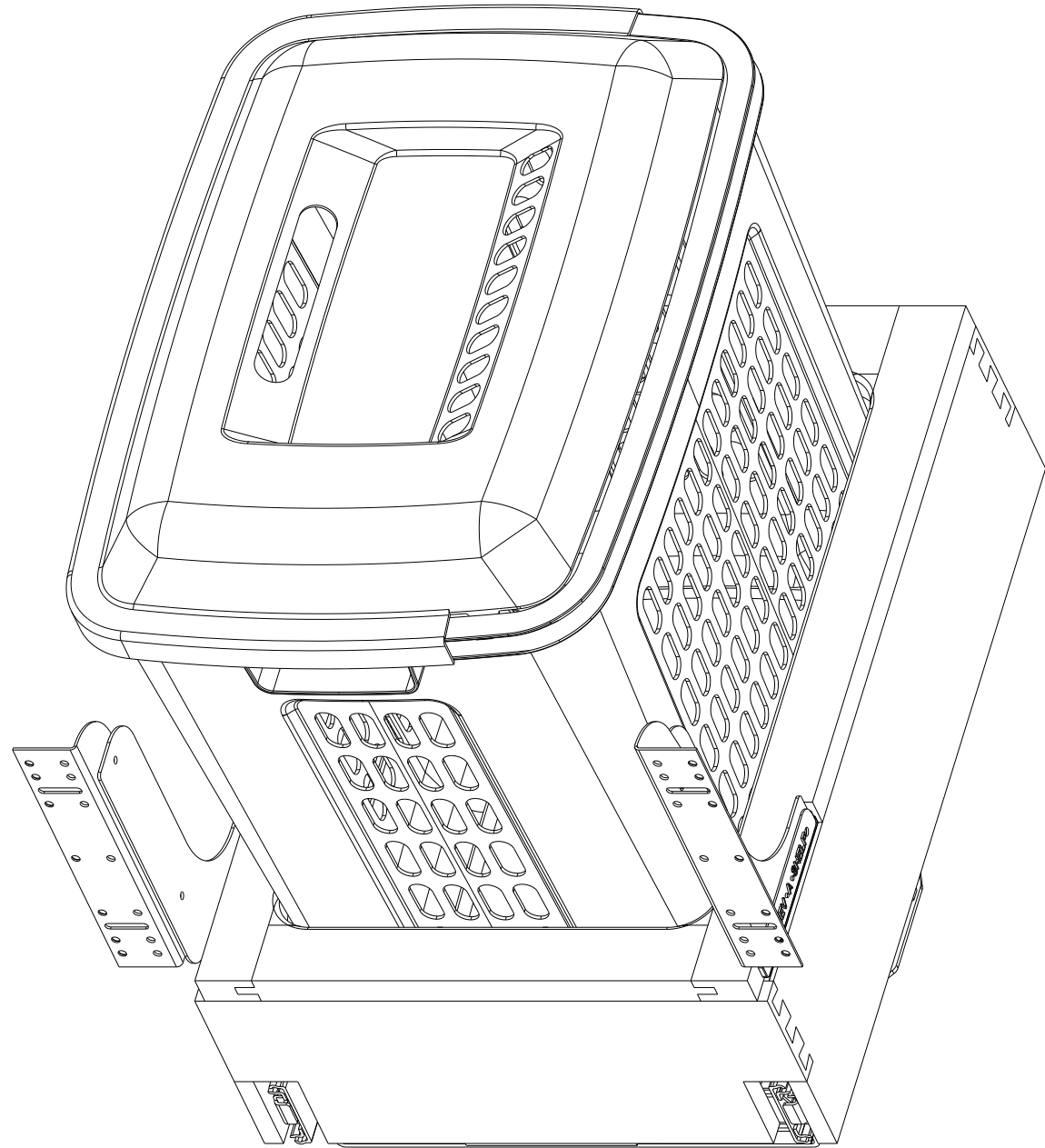


CUSTOMER DRAWING

This drawing is the property of Rev-A-Shelf (RAS) and is disclosed in confidence to the extent its subject matter is original to RAS. Any vendor receiving this drawing from RAS shall hold and use this drawing for the sole benefit of RAS and shall not disclose it to, or use or reproduce it for any third party, or perform any act adverse to the interest of RAS with respect to this drawing without the express written permission of RAS. Vendors shall not revise any physical, dimensional or performance characteristic unless authorized by Rev-A-Shelf Engineering.

REV.	DATE	BY	DESCRIPTION OF CHANGE
C	12/17/16	DKK	ECN16-087
C	9/28/16	DKK	ECN16-056
B	3/5/09	PFC	ECN09-020
A	2/13/09	PFC	ECN09-015

INCH [MM]	AMERICAN PROJECTION	BY	DATE	REV-A-SHELF, INC.
		DRAWN	PFC 11/10/08	
TOLERANCES				DRAWING NO. 4WH-RM-15DM-1-CUST
MAT.	DEC.	ANGLES ±1/2°		
(WOOD)	.XX ±.03 [.8mm]			SCALE 1:4
(OTHER)	.XX ±.02 [.5mm]			PART NO. 4WH-RM-15DM-1
(ALL)	.XXX ±.005 [.13 mm]			
FRACTIONS ±1/32 [.8 mm]				



PART DIMENSIONS	
WIDTH	14.25 [362]
DEPTH	19.75 [501,7]
HEIGHT	20.97 [532,8]
CONTAINER CAPACITY	1.5
CONTAINER UOM	BUSHEL

MIN CABINET OPENING				
	FACE FRAME	FRAMELESS	INSET FACE FRAME	INSET FRAMELESS
WIDTH	14.50 [368,3]	14.50 [368,3]	14.50 [368,3]	14.50 [368,3]
DEPTH	19.88 [504,8]	19.88 [504,8]	20.63 [523,9]	20.63 [523,9]
HEIGHT	21.25 [539,8]	21.25 [539,8]	21.25 [539,8]	21.25 [539,8]

SLIDE SPECIFICATIONS				
SLIDE TYPE	BALL BEARING	SLIDE EXTENSION	1 1/2" O.T.	MAX WEIGHT RATING
SLIDE CLOSING	REV-A-MOTION	SLIDE LENGTH	500 MM	
SLIDE MOUNTING	BOTTOM	SLIDE FINISH	ZINC	150 LB

CUSTOMER DRAWING

This drawing is the property of Rev-A-Shelf (RAS) and is disclosed in confidence to the extent its subject matter is original to RAS. Any vendor receiving this drawing from RAS shall hold and use this drawing for the sole benefit of RAS and shall not disclose it to, or use or reproduce it for any third party, or perform any act adverse to the interest of RAS with respect to this drawing without the express written permission of RAS. Vendors shall not revise any physical, dimensional or performance characteristic unless authorized by Rev-A-Shelf Engineering.

D	12/7/16	DKK	ECN16-087
C	9/28/16	DKK	ECN16-056
B	3/5/09	PFC	ECN09-020
A	2/13/09	PFC	ECN09-015
REV.	DATE	BY	DESCRIPTION OF CHANGE

INCH [MM]	AMERICAN PROJECTION	DRAWN	BY	DATE	REV-A-SHELF, INC.	
			PFC	11/10/08		
			MATERIAL	SIZE	SCALE	
			FINISH	B		1.5 BU REV-A-MOTION BOTTOM MOUNT HAMPER
TOLERANCES			ANGLES		DRAWING NO.	
MAT. DEC. (WOOD) .XX ±.03 [.8mm] (OTHER) .XX ±.02 [.5mm] (ALL) .XXX ±.005 [.13 mm] FRACTIONS ±1/32 [.8 mm]			±1/2°			4WH-RM-15DM-1_CUST
					PART NO.	SHEET
					4WH-RM-15DM-1	2 OF 2