

# MPL

## Opaline Shade Pendant Light

### Product Description

The MPL Series redefines elegance and functionality with its timeless design. From segmented pieces of metal for flexibility, each pendant light gracefully suspends a soft opaline glass shade, ensuring visual continuity. The MPL pendant light is compatible with both flat and sloped ceilings, ensuring your fixture hangs straight down. This series seamlessly combines fundamental design with clean details, making it perfect for illuminating kitchen countertops or enhancing the ambiance of bedroom spaces.

### Construction

- Steel canopy and stem
- Opaline glass shade
- Accommodates one type A bulb, E26 base 60W max incandescent bulb or one 9W LED bulb (not included)
- Features a standard tiltable downrod, perfect for sloped ceilings, ensuring your fixture hangs straight down.
- Additional downrods are included for customizable height at installation
- Canopy diameter: 5.1" (130mm)
- Fixture weight: 2.42 lbs (1.1 kg)
- Dimmable bulb recommended for use with dimmer switch
- Hardwired fixture; professional installation recommended
- Available in segmented stems: 6" (2pcs), 12" (1pc), 15" (2pcs)

### Maintenance

- Wipe with a soft cloth
- No abrasive cleaners

### Electrical

- Input Voltage: 120 VAC
- Input Wattage: 60W max or 9W LED max

### Listings

- cETLus listed
- cULus 1598 Classified for damp locations

### Warranty

- 1-year limited system warranty standard
- Warranty does not cover product failure due to an overvoltage event (power surge)

This device complies with part 15 of the FCC Rules. Operation is subject to the following two conditions: (1) This device may not cause harmful interference, and (2) this device must accept any interference received, including interference that may cause undesired operation.

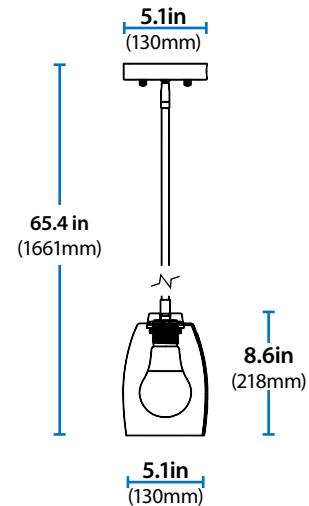
NOTE: This equipment has been tested and found to comply with the limits for a Class A digital device, pursuant to part 15 of the FCC Rules. These limits are designed to provide reasonable protection against harmful interference when the equipment is operated in a commercial environment. This equipment generates, uses, and can radiate radio frequency energy and, if not installed and used in accordance with the instruction manual, may cause harmful interference to radio communications. Operation of this equipment in a residential area is likely to cause harmful interference in which case the user will be required to correct the interference at his own expense.

Project

Catalog

Type

Date



### Ordering Information

Example: MPL1120OPBK

Series	Version	Voltage	Light Shade Finish	Stem Finish
MPL	1	120	OP (Opal)	BK (Black)
				NK (Nickel) <sup>1</sup>

Specifications and dimensions subject to change without notice. Please refer to the website for the most up-to-date information.

1. Contact factory for MOQ and lead times on NK finishes.

NICOR, Inc. 2200 Midtown Place NE, Albuquerque, NM 87107 P: 800.821.6283 F: 800.892.8393  
www.nicorlighting.com April 18, 2024 7:54 PM MPL Page 1

