

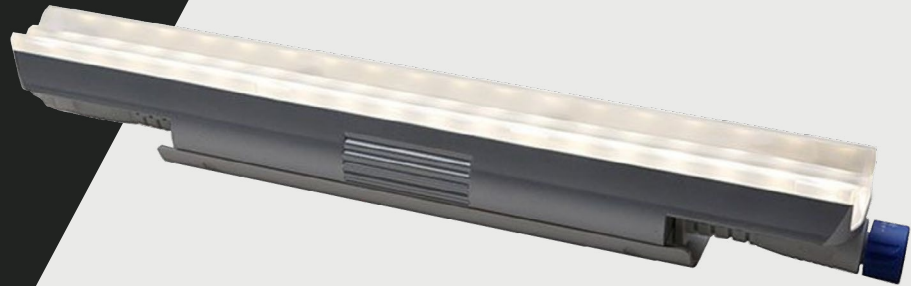
Lumination® LED Luminaires

LED Wall Washer System LW Series

Project Name _____

Date _____ Type _____

Notes _____



PRODUCT DESCRIPTION

Lumination® LW Series LED Wall Washer provides uniform light and draws attention to a large area & emphasizes textures on vertical surfaces. The Current LED Wall Washer is available with different optics to enhance the architectural design of three specific applications: Cove Lighting, Wall Washing, and Wall Grazing.

Cove Lighting

Evenly distribute light over the ceiling and the upper part of walls and ceiling. Typically mounted in a cove recess.

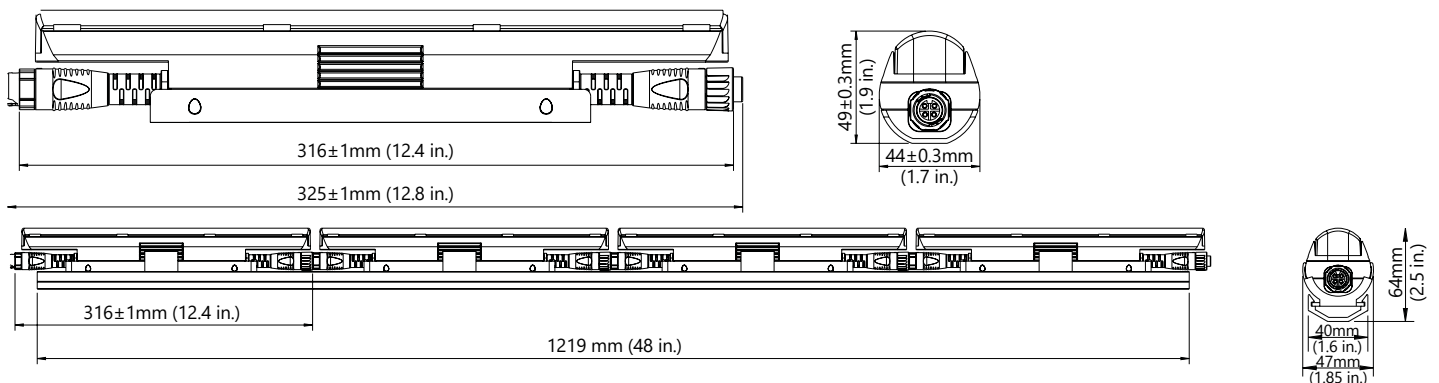
Wall Washing

Uniformly light vertical surfaces and hides imperfections on flat surfaces. These fixtures are typically mounted in a recess a few feet from the wall.

Wall Grazing

Heighten the architectural character of a space by highlighting and accenting textured surfaces. These fixtures are typically mounted less than a foot from the wall in a slot or recess.

PRODUCT DIMENSIONS



CERTIFIED BY



(For HO version only)

Please refer to the DLC QPL website for the latest and most complete information.
www.designlights.org/QPL

Lumination® LED Luminaires

LW Series

Catalog Logic

Project Name _____

Date _____ Type _____

Notes _____

ORDERING INFORMATION

For material estimations, take the length of the run in feet divided by 1.04 feet to get the quantity of fixtures needed. Take the run in feet divided by 4 feet to get the quantity of mounting tracks needed.

L	LW	B	0	8	V	Q	TM	WHITE					
MACRO	PRODUCT FAMILY	FIXTURE TYPE	GENERATION	VOLTAGE	NOMINAL LUMENS	DISTRIBUTION	CRI	CCT	DIMMING	CONTROLS	MOUNTING	FINISH	OPTIONS
L = Indoor	LW = Linear Washer	SO = 1' Standard Output	B = 2 nd Generation	0 = 120-277V (UL Version)	04 = 400	CV = Cove Lighting WW = Wall Washer GZ = Wall Grazer	8 = 80 CRI	27 = 2700 30 = 3000 35 = 3500 40 = 4000	V = 0-10V Dimming	Q = none	TM = Track Mounted	WHITE = White	Blank if no options
		HO = 1' High Output			07 = 700								

PRODUCT SPECIFICATIONS

Features & Benefits

- Precise use of light output and eliminates socket shadows that is common when using fluorescent fixtures
- 0-10V dimmable (as low as 3%)
- Consistent color with 3-step MacAdam ellipse color binning
- Available in a variety of optics to optimize architectural designs
- IP20, dry or damp location rated

Installation

- Field-adjustable mounting for precise fixture angle
- Connect up to 156 fixtures in series at 120 VAC
- Universal 120-277 VAC input design

LED Technology:

- L85 at 50,000 hours
- 5 year limited warranty
- No UV emissions

For more information and access to all of our resources, including our design tool visit: www.gecurrent.com

Lumination® LED Luminaires

LW Series

Component Sheet

Project Name _____

Date _____ Type _____

Notes _____

FIXTURES

APPLICATION	PRODUCT CODE	DESCRIPTION CODE	CCT	WATTAGE	LENS TYPE	LUMENS PER FIXTURE (FT/M)MIN	MIN LPW	MAXIMUM RUN LENGTH
Cove	10739	LLWSOB004CV827VQTMWHT	2700K	5.0W	110° Soft	380 (367/1203)	76	For 120 VAC: 156 Fixtures (~161.7 feet/49.30m) For 240 VAC: 305 Fixtures (~316.2 feet/96.38m) For 277 VAC: 340 Fixtures (~352.5 feet/107.44m)
Cove	10740	LLWSOB004CV830VQTMWHT	3000K	5.0W	110° Soft	420 (405/1329)	84	
Cove	10741	LLWSOB004CV835VQTMWHT	3500K	5.0W	110° Soft	420 (405/1329)	84	
Cove	10747	LLWSOB004CV840VQTMWHT	4000K	5.0W	110° Soft	430 (415/1361)	86	
Wall Washer	10785	LLWSOB004WW827VQTMWHT	2700K	5.0W	30° x 80°	380 (367/1203)	76	
Wall Washer	10787	LLWSOB004WW830VQTMWHT	3000K	5.0W	30° x 80°	420 (405/1329)	84	
Wall Washer	10789	LLWSOB004WW835VQTMWHT	3500K	5.0W	30° x 80°	420 (405/1329)	84	
Wall Washer	10801	LLWSOB004WW840VQTMWHT	4000K	5.0W	30° x 80°	430 (415/1361)	86	
Grazer	10868	LLWSOB004GZ827VQTMWHT	2700K	5.0W	15° x 80°	380 (367/1203)	76	
Grazer	10869	LLWSOB004GZ830VQTMWHT	3000K	5.0W	15° x 80°	420 (405/1329)	84	
Grazer	10888	LLWSOB004GZ835VQTMWHT	3500K	5.0W	15° x 80°	420 (405/1329)	84	
Grazer	10889	LLWSOB004GZ840VQTMWHT	4000K	5.0W	15° x 80°	430 (415/1361)	86	
Cove	10750	LLWHOB007CV827VQTMWHT	2700K	8.0W	110° Soft	650 (627/2057)	81	For 120 VAC: 97 Fixtures (~100.6 feet/30.65m) For 240 VAC: 185 Fixtures (~191.8 feet/58.46m) For 277 VAC: 205 Fixtures (~212.5 feet/64.78m)
Cove	10754	LLWHOB007CV830VQTMWHT	3000K	8.0W	110° Soft	730 (704/2310)	91	
Cove	10758	LLWHOB007CV835VQTMWHT	3500K	8.0W	110° Soft	730 (704/2310)	91	
Cove	10763	LLWHOB007CV840VQTMWHT	4000K	8.0W	110° Soft	750 (723/2373)	94	
Wall Washer	10861	LLWHOB007WW827VQTMWHT	2700K	8.0W	30° x 80°	650 (627/2057)	81	
Wall Washer	10862	LLWHOB007WW830VQTMWHT	3000K	8.0W	30° x 80°	730 (704/2310)	91	
Wall Washer	10864	LLWHOB007WW835VQTMWHT	3500K	8.0W	30° x 80°	730 (704/2310)	91	
Wall Washer	10867	LLWHOB007WW840VQTMWHT	4000K	8.0W	30° x 80°	750 (723/2373)	94	
Grazer	10892	LLWHOB007GZ827VQTMWHT	2700K	8.0W	15° x 80°	650 (627/2057)	81	
Grazer	10895	LLWHOB007GZ830VQTMWHT	3000K	8.0W	15° x 80°	730 (704/2310)	91	
Grazer	10899	LLWHOB007GZ835VQTMWHT	3500K	8.0W	15° x 80°	730 (704/2310)	91	
Grazer	10901	LLWHOB007GZ840VQTMWHT	4000K	8.0W	15° x 80°	750 (723/2373)	94	

COMPONENTS

PRODUCT CODE	DESCRIPTION CODE	PRODUCT DESCRIPTION	QUANTITY
10902	LLWB-LC2-120	120"/3.0m Leader Cable	1/PK
10903	LLWB-JC2-12	12"/0.3m Jumper Cable	1/PK
10904	LLWB-JC2-48	48"/1.2m Jumper Cable	1/PK
65467	LWW1-MT48/0	48" (1219mm) Mounting Track	10/PK

Lumination® LED Luminaires

LW Series

Photometric Data

Project Name _____

Date _____ Type _____

Notes _____

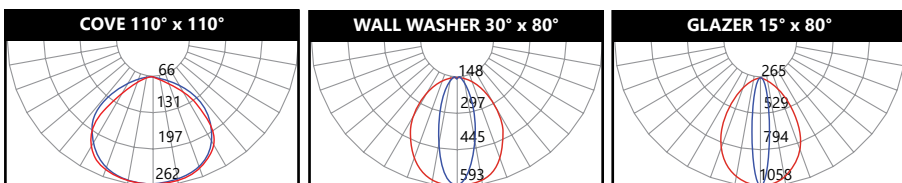
LLWHOB007CV830VQTMWHITE

Data based on High Output 3000K. Additional IES files are available on www.gecurrent.com

CANDELA (CD) MEASUREMENTS 110°x110°						
	110°x110°		30°x80°		15°x80°	
	V	H	V	H	V	H
0°	261.6	261.6	593.3	593.3	1058.2	1058.2
10°	260.1	258.1	444.7	574.6	479.3	1028.6
20°	251.6	246.0	243.0	520.1	174.4	935.9
30°	235.1	226.5	137.2	434.7	66.1	772.5
40°	207.2	197.2	78.6	330.7	36.8	558.2
50°	143.3	162.2	49.7	224.8	27.5	343.1
60°	66.1	115.4	36.6	134.4	22.8	172.9
70°	21.3	69.9	27.1	70.2	19.2	70.3
80°	9.8	31.0	20.8	27.2	11.3	20.9
90°	4.2	6.2	19.1	4.6	7.9	3.7

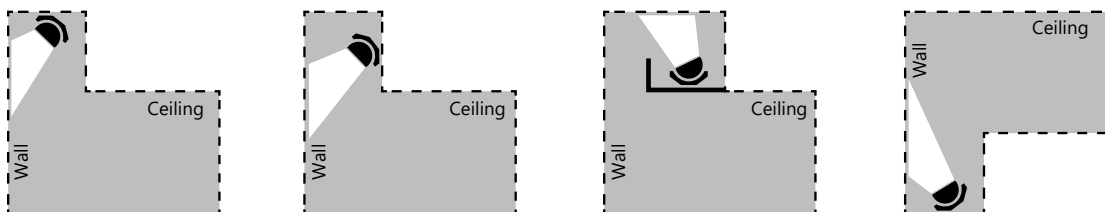
	VERTICAL & HORIZONTAL BEAM WIDTH (IN M)					
	110°x110°		30°x80°		15°x80°	
	V	H	V	H	V	H
0.5 ft. (0.15 m)	0.39	0.46	0.09	0.29	0.05	0.27
1.0 ft. (0.30 m)	0.78	0.93	0.18	0.57	0.10	0.54
1.5 ft. (0.46 m)	1.18	1.39	0.27	0.86	0.15	0.80
2.0 ft. (0.61 m)	1.57	1.85	0.37	1.14	0.20	1.07
2.5 ft. (0.76 m)	1.96	2.32	0.46	1.43	0.24	1.34
3.0 ft. (0.91 m)	2.35	2.78	0.55	1.71	0.29	1.61

CENTER BEAM ILLUMINANCE (IN LX)		
110°x110°	30°x80°	15°x80°
11263.0	25544.2	45562.7
2815.7	6386.1	11390.7
1251.4	2838.2	5062.5
703.9	1596.5	2847.7
450.5	1021.8	1822.5
312.9	709.6	1265.6



MOUNTING METHOD

Fixture mounting positions: It is recommended that the LED fixtures be installed into a space no smaller than 3 in. x 3 in. (76mm x 76mm) For additional mounting practices refer to application notes on our website (www.gecurrent.com)



Fixture rotation: Light can be directed from 0 to 50 degrees in 10 degree increments in both directions with the help of 1) the rotation angle of the fixture, and 2) the mounting edge of the fixture track.

