

TAC Select

Select Architectural LED Troffer

Product Description

The TACS Select Architectural LED Troffer is an economical lighting solution for commercial, educational, medical, and retail applications where general-purpose ambient lighting is required. With its contemporary center lens design, TACS provides a soft natural glow and even illumination that minimizes glare. The CCT Selectable design allows for easy adjustment to 3500K, 4000K, or 5000K and selectable wattage allows the ability to tailor the brightness to the space. Available in 2x2, or 2x4 configurations, the TACS is an easy-to-install upgrade from linear fluorescent lighting to a long-lasting, energy-efficient LED solution.

Construction

- Durable steel construction with matte white powder coat finish
- High efficiency, maintenance-free LED chamber
- Smooth formed sides for safe handling

Optical System

- Precision engineered polycarbonate (PC) diffuser
- No visible diodes, hot-spots, or shadows providing high uniformity, and reduced glare
- 80CRI for good color definition in public spaces

Electrical

- Input voltage of 120-277VAC
- CCT and Output selector switches accessible on junction box
- Full-range dimming via 0-10VDC (dim-to-off) controls
- Power factor > 0.9
- THD < 20%
- Operating temperature range: -4°F to 104°F (-20° to 40°C)

Mounting and installation

- Quick and easy single person installation
- Attached grid clip with wire-tie hole provided for seismic wire
- Surface mount installation with an optional adapter
- Drywall installation with an optional adaptor
- Emergency battery backup available (MTO and Quick Ship)
- For installations where power surge may be possible, NICOR recommends installing additional surge protection at the fixture or electrical distribution panel

Listings

- cULus1598 Listed for damp locations
- cULus 8750 Listed LEDs
- Certified for direct contact with insulation (IC)
- DLC 5.1 Standard listed
- RoHS Compliant
- Meets FCC Part 15, Subpart B, Class A standards for conducted and radiated emissions
- TM-21 Reported L70(9k) life >54,000 hours
- LM-79, LM-80 testing performed in accordance with IESNA standards

Warranty

- 5-year limited system warranty standard
- Warranty does not cover product failure due to an overvoltage event (power surge.)

Project

Catalog

Type

Date



TACS3
LED Architectural Troffer
2x2, 2x4
Selectable Wattage
Selectable CCT



TAC Select

Select Architectural LED Troffer

Ordering

Ordering Information						Example: TACS324U8
Series	CCT	Version	Size	Voltage	CRI	Emergency
TAC	S (Select: 35/40/50K)	3	22 (2' x 2')	U (120-277V)	8 (>80)	Blank (none)
			24 (2' x 4')			E1 (4.5W) ¹
						E2 (8W - MTO) ¹
						E3 (8W - QS) ²

Specifications and dimensions subject to change without notice.

1) Factory installation only - call factory for leadtime

2) Preinstalled - ready to ship

Accessories

Flange Kit - 2x2	TPE10FK22
Flange Kit - 2x4	TPE10FK24
Surface Kit - 2x2	SK22M10WH
Surface Kit - 2x4	SK24M10WH

Recommended Dimmers*

Lutron NTSTV
 Leviton IP710
 Cooper SF10P
 Legrand RH4FBL3PW

*Not a complete list. Check compatibility before installation.

Performance Data

Model	Output Setting	Performance Data				Emergency Pack Performance Data	
		Nominal CCT	Lumens	Watts	Efficiency	E1 Lumens	E2/E3 Lumens
TACS322	20W	3500	2408	19.5	123.4	555	987
		4000	2587	18.6	139.4	627	1115
		5000	2403	19.4	124.1	558	993
	30W	3500	3612	29.2	123.8	557	990
		4000	3883	27.7	139.9	630	1119
		5000	3602	29.0	124.4	560	995
	40W	3500	4835	38.8	124.6	561	997
		4000	5198	36.9	140.7	633	1126
		5000	4822	38.5	125.3	564	1002
TACS324	30W	3500	3599	30.4	118.4	533	947
		4000	3942	28.6	137.9	621	1103
		5000	3687	30.2	122.0	549	976
	40W	3500	4753	40.2	118.3	532	947
		4000	5256	37.8	139.1	626	1113
		5000	4916	39.9	123.1	554	985
	50W	3500	5978	50.4	118.7	534	950
		4000	6569	47.4	138.7	624	1110
		5000	6148	50.1	122.8	553	982

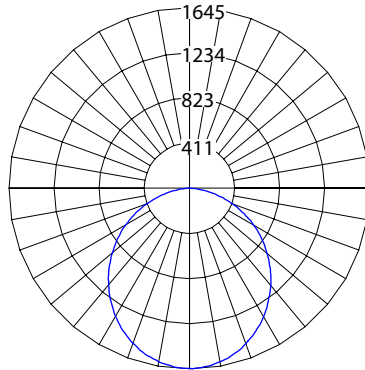
TAC Select

Select Architectural LED Troffer

Photometric Data

TACS322 3500K, 40W

Input Voltage (VAC)	120-277
System Level Power (W)	38.8
Delivered Lumens (Lm)	4835
System Efficacy (Lm/W)	124.6
Correlated Color Temp (K)	3547
Color Rendering Index (CRI)	85
Beam Angle (0)	118.5
Beam Angle (90)	107.5
Spacing Criteria (0)	1.24
Spacing Criteria (90)	1.28



Cone of Light Tabulation

Mounted height (Feet)	Footcandles Beam Center	Diameter (Feet)
8	25.6	26.9
10	16.4	33.6
12	11.4	40.3
14	8.3	47.1

Zonal Lumen Summary

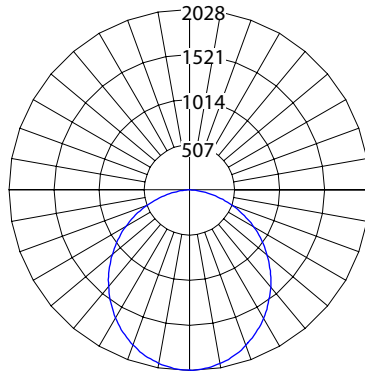
Zone	Lumens	% of Luminaire
0-30	1267	26.5%
0-40	2070	43.3%
0-60	3664	76.6%
0-90	4781	100%
90-180	0	0%
0-180	4781	100%

Data Multiplier

TACS322U8			
	35K	40K	50K
20W	0.498	0.535	0.497
30W	0.747	0.803	0.745
40W	1.000	1.075	0.997

TACS324 3500K, 50W

Input Voltage (VAC)	120-277
System Level Power (W)	50.4
Delivered Lumens (Lm)	5978
System Efficacy (Lm/W)	118.6
Correlated Color Temp (K)	3502
Color Rendering Index (CRI)	84
Beam Angle (0)	118.7
Beam Angle (90)	109.3
Spacing Criteria (0)	1.24
Spacing Criteria (90)	1.28



Cone of Light Tabulation

Mounted height (Feet)	Footcandles Beam Center	Diameter (Feet)
8	31.6	27.0
10	20.2	33.8
12	14.0	40.5
14	10.3	47.3

Zonal Lumen Summary

Zone	Lumens	% of Luminaire
0-30	1572	26.3%
0-40	2576	43.1%
0-60	4590	76.8%
0-90	5978	100%
90-180	0	0%
0-180	5978	100%

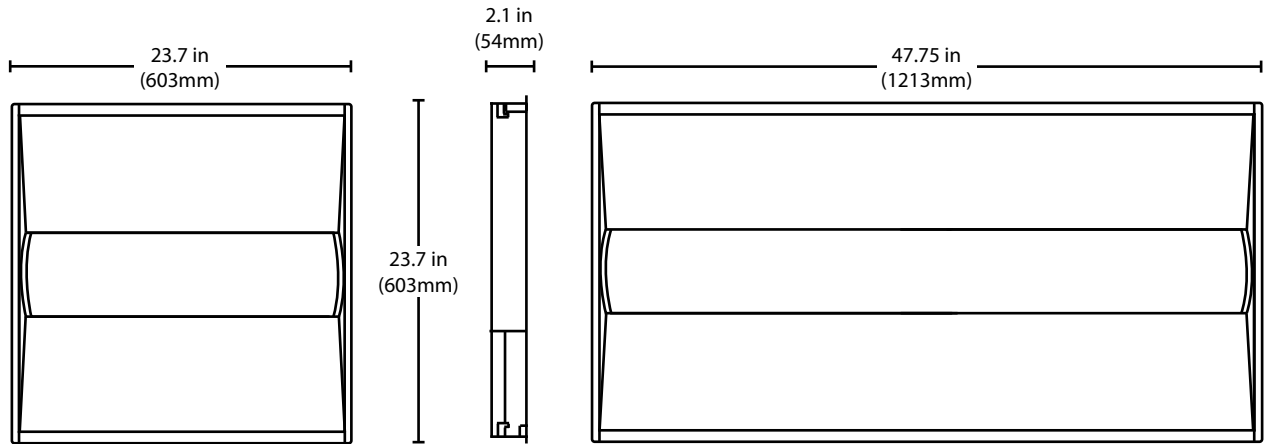
Data Multiplier

TAC324U8			
	35K	40K	50K
30W	0.602	0.659	0.617
40W	0.795	0.879	0.822
50W	1.000	1.099	1.028

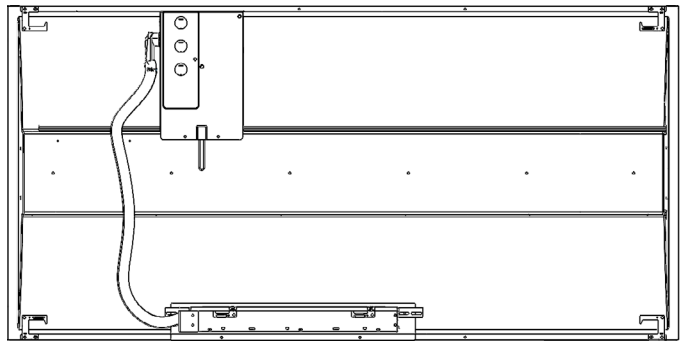
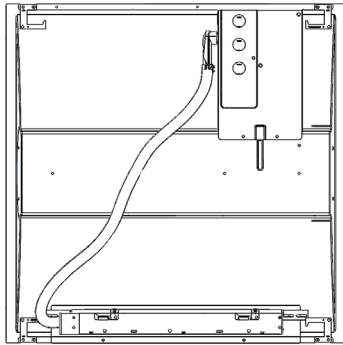
TAC Select

Select Architectural LED Troffer

Dimensions



View with EM pack installed



This device complies with part 15 of the FCC Rules. Operation is subject to the following two conditions: (1) This device may not cause harmful interference, and (2) this device must accept any interference received, including interference that may cause undesired operation.

NOTE: This equipment has been tested and found to comply with the limits for a Class A digital device, pursuant to part 15 of the FCC Rules. These limits are designed to provide reasonable protection against harmful interference when the equipment is operated in a commercial environment. This equipment generates, uses, and can radiate radio frequency energy and, if not installed and used in accordance with the instruction manual, may cause harmful interference to radio communications. Operation of this equipment in a residential area is likely to cause harmful interference in which case the user will be required to correct the interference at his own expense.