

SONDER

LIVING

COPELAND II SIDE TABLE

Thank you for choosing this quality product. Be sure to check all packaging materials carefully for small parts that may have loosened inside the carton during shipment and place on a non-abrasive surface.

IMPORTANT

These parts can be cumbersome and heavy to some people, therefore, the assistance of two or more people are recommended in order to prevent personal injury and ensure the furniture is not damaged during the assembly Process.

CARE INSTRUCTIONS

1. Dust often using a clean, soft, dry and lint-free cloth.
2. Blot spills immediately and wipe with a clean, damp, cloth.
3. We do not recommend the use of chemical cleansers, abrasives or furniture polish on our lacquered finish.

IMPORTANT SAFETY INSTRUCTIONS

1. Please read all instructions carefully before assembling.
2. Keep instructions for future use.
3. Use only vendor supplied hardware to assemble. Using unauthorized hardware could jeopardize the structural integrity of the item.


PART LIST

- A. [1] MARBLE TOP
B. [1] BASE

INSTRUCTIONS

1. Remove the drawer out of the cocktail table. see **FIGURE 01**.
2. Place the marble top (A) on the base (B). Align and insert Phillip Screws (1) to each hole under marble top through the hole on the stretcher of the base. Tighten with Phillips screwdriver (not included). see **FIGURE 02**.
3. Install the drawer . see **FIGURE 03**. Assembly is complete.

TOOLS NEEDED

- Phillips Screwdriver (not provided) 

HARDWARE LIST

NO	DESCRIPTION	QTY
1	 PHILLIP SCREW	4

FIGURE 01

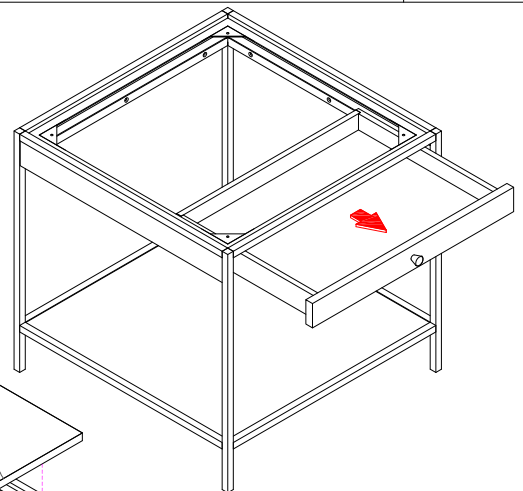


FIGURE 02

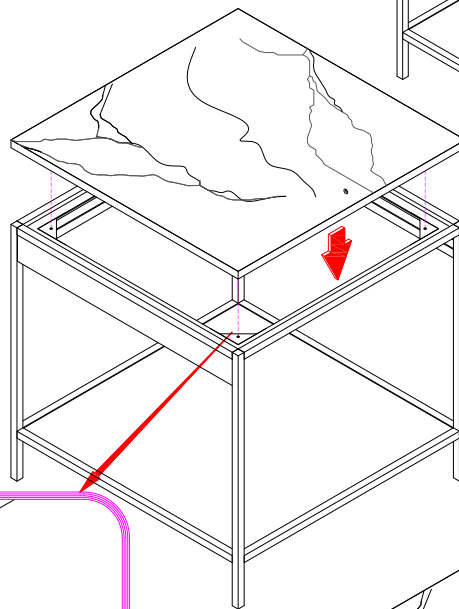
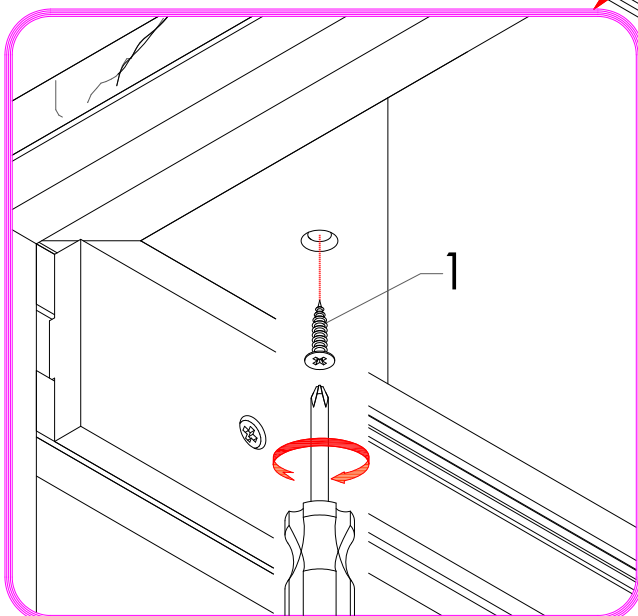


FIGURE 03

