

SONDER

LIVING

RINGO COFFEE TABLE - NESTING

Thank you for choosing this quality product. Be sure to check all packaging materials carefully for small parts that may have become loose during shipment and place all parts on a non-abrasive surface.

IMPORTANT :These parts can be cumbersome and heavy to some people, therefore the assistance of two or more people is recommended in order to prevent personal injury and ensure the furniture is not damaged during the assembly Process.


PART LIST

A [1] TABLE

B [1] TOPGLASS

C [1] TABLEBASE

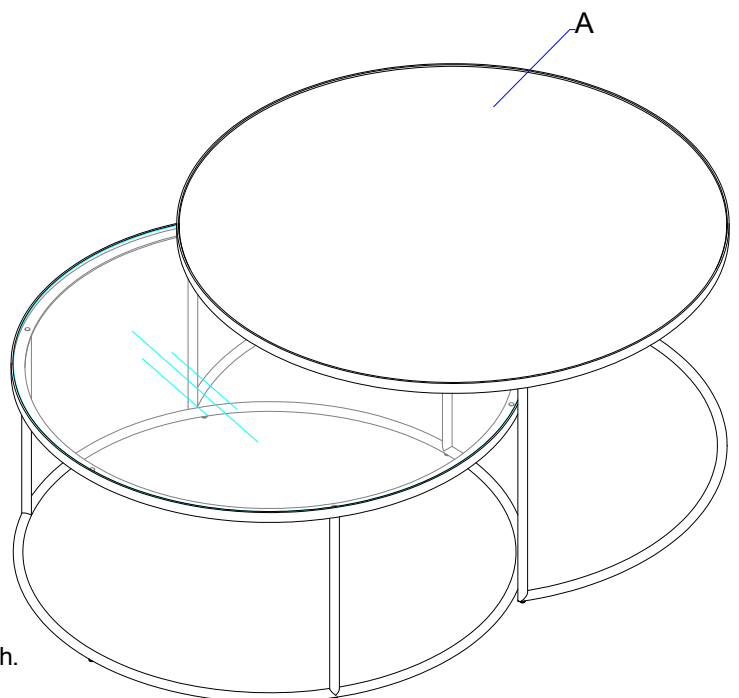
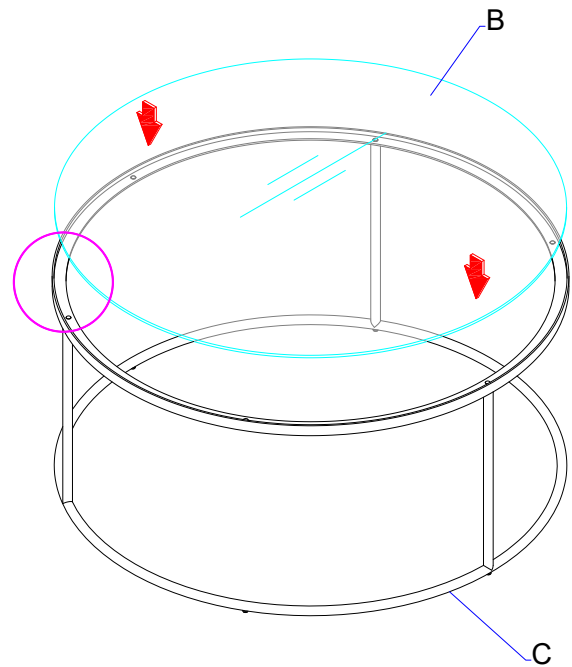
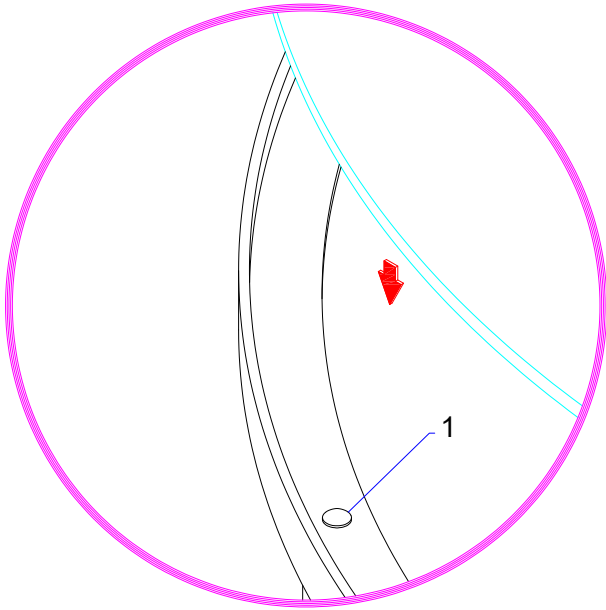
HARDWARELIST

NO	DESCRIPTION	QTY
1	 BUMPON PLASTIC	6

INSTRUCTIONS

1. Bring all parts on your desired position.
3. Secure place the Bumpon plastic (1) on the top of the Table base (C) and then place the Top glass (B) on it. See **FIGURE 01**.
4. Set up the Table base assembled together the Table (A) on your desired position. Refer to sketch as shown below. Or you can arrange them to suit your room.
5. Assembly is complete.

FIGURE 01



CARE INSTRUCTIONS

1. Dust often using a clean, soft, dry and lint-free cloth.
2. Blot spills immediately and wipe with a clean, damp, cloth.
3. We do not recommend the use of chemical cleansers, abrasives or furniture polish on our lacquered finish.