

Lyra

LED Specification Canopy

Product Description

Delivering maximum lumen output in an attractive and streamlined design, the Lyra LED Specification Canopy utilizes advanced LED technology to provide enhanced, even illumination with less energy. The Lyra is an effective under canopy lighting solution for exterior ceilings or for parking garages, car ports, covered walkways, or other commercial spaces. Its die-cast aluminum housing with hinged and removable back box and convenient knockouts allow for easy J-Box, surface mount, or pendant installations. The fixture is equipped with an integrated heat sink, a Type V distribution precision lens, and has an optional photocell.

Construction

- High-quality, die-cast aluminum housing with integrated heat sink
- Easy to use hinged back box allows for quick installation to J-Boxes
- (4) ½" knockouts for conduit wiring or sensor additions
- Stainless steel hardware
- EVA gasket for water-resistant surface mounting

Optical System

- High light transmittance polycarbonate frosted flat lens
- Utilizes advanced LED technology with CCT of 4000K and 5000K
- CRI 70+

Electrical

- Thermally-protected, high-efficiency driver
- Operating temperature rating of -4° to 104°F (-20°C to 40°C)
- 10kA surge protection standard
- Input voltage of 120-277VAC
- Available in 45 and 80 watt
- Photocell optional
- Emergency battery pack optional
- Driver delivers full-range dimming from 0 - 10VDC

Finish

- Fine-textured, UV-stabilized powder coat bronze finish standard

Mounting and installation

- Varied installation methods:
 - J-Box (hinged with mounting plate)
 - Ceiling/conduit (4 fasteners by others)
 - Pendant (½" conduit by others)
- For installations where power surge may be possible, NICOR recommends installing additional surge protection at the electrical distribution panel

Listings

- LM-79, LM-80 testing performed in accordance with IESNA standards
- cULus 1598 Listed for wet locations
- IP65 Rated
- Meets FCC Part 15, Subpart B, Class A standards for conducted and radiated emissions
- TM-21 Reported L70(10k) life >60,000 hours

Warranty

- 5-year limited system warranty standard
- Warranty does not cover product failure due to an overvoltage event (power surge)

Project

Catalog

Type

Date



OUS1
45W, 80W
LED Canopy



Ordering Information

Example: OUS1080MV50BZP

Series	Version	Wattage	Voltage	CCTs	Finish	Photocell
OUS	1 (Version 1)	045 (45 W)	MV (120-277)	40 (4000 K)	BZ (Bronze)	Blank (None)
		080 (80 W)		50 (5000 K)		P (Photocell)

Specifications and dimensions subject to change without notice.

Emergency Back-up Accessories

8W Outdoor Remote EM Kit Bronze	EMO1080WRVBZ
18W Outdoor Remote EM Kit Bronze	EMO1180WRVBZ

Photometric Data

OUS45 5000K

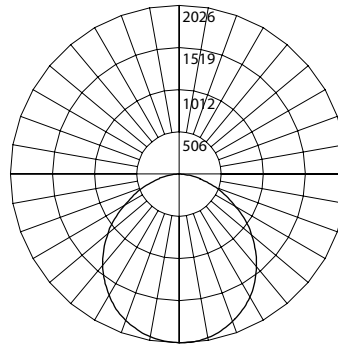
Input Voltage (VAC)	120-277
System Level Power (W)	43.8
120V Current (A)	0.37
277V Current (A)	0.16
Delivered Lumens (Lm)	5460
System Efficacy (Lm/W)	124.6
Correlated Color Temp (K)	5135
Color Rendering Index (CRI)	72
Beam Angle	108.3°
Spacing Criteria	1.36

Intensity Summary (Candle Power)

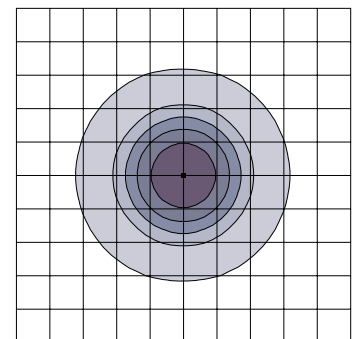
Angle	Mean CP
0	2024
5	2014
15	1942
25	1795
35	1578
45	1295
55	961
65	616
75	313
85	70
90	15

CCT Data Multiplier

OUS1045MV40 1.013



10' Mounting Height



Each square represents 100 square feet.

Zonal Lumen Summary

Zone	Lumens	% of Luminaire
0-30	1566	28.7%
0-40	2553	46.8%
0-60	4409	80.8%
0-90	5445	99.7%
90-180	15	0.3%
0-180	5460	100.0%

OUS80 5000K

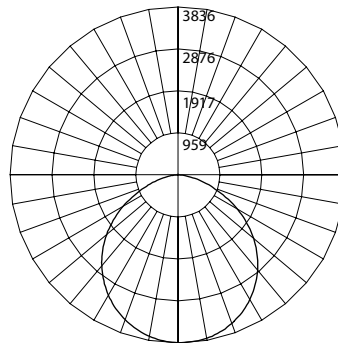
Input Voltage (VAC)	120-277
System Level Power (W)	80.5
120V Current (A)	0.68
277V Current (A)	0.30
Delivered Lumens (Lm)	10282
System Efficacy (Lm/W)	127.7
Correlated Color Temp (K)	5140
Color Rendering Index (CRI)	72
Beam Angle	106.8°
Spacing Criteria	1.36

Intensity Summary (Candle Power)

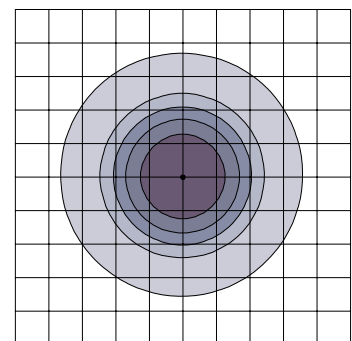
Angle	Mean CP
0	3833
5	3817
15	3683
25	3417
35	3017
45	2500
55	1866
65	1152
75	523
85	97
75	10

CCT Data Multiplier

OUS1080MV40 1.017



10' Mounting Height



Each square represents 100 square feet.

Zonal Lumen Summary

Zone	Lumens	% of Luminaire
0-30	2974	28.9%
0-40	4858	47.2%
0-60	8441	82.1%
0-90	10260	99.8%
90-180	22	0.2%
0-180	10282	100.0%

Fixture tested per LM-79-08. Photometric data is of the performance of a representative fixture. Results may vary in the field.

Photometric Data

Performance Data

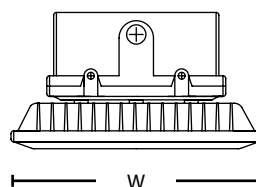
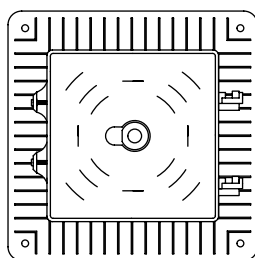
Model Number	Lumens	Watts	Lumens/Watt	BUGRating
OUS1045MV40	5529	43.8	126.2	B2-U1-G1
OUS1045MV50	5460	43.8	124.6	B2-U1-G1
OUS1080MV40	10456	80.5	129.8	B3-U2-G1
OUS1080MV50	10282	80.5	127.7	B3-U2-G1

Recommended 0-10VDC Dimmers*

Lutron NTSTV
 Lutron DVSTV
 Cooper SF10P
 Legrand RH4FBL3PW

*Not a complete list. Check compatibility before installation.

Dimensions



45 W

80 W

Fixture Length:	9.125 in (231 mm)	14.25 in (362 mm)
Fixture Width:	9.125 in (231 mm)	14.25 in (362 mm)
Fixture Height:	5 in (127 mm)	5 in (127 mm)

This device complies with part 15 of the FCC Rules. Operation is subject to the following two conditions: (1) This device may not cause harmful interference, and (2) this device must accept any interference received, including interference that may cause undesired operation.

NOTE: This equipment has been tested and found to comply with the limits for a Class A digital device, pursuant to part 15 of the FCC Rules. These limits are designed to provide reasonable protection against harmful interference when the equipment is operated in a commercial environment. This equipment generates, uses, and can radiate radio frequency energy and, if not installed and used in accordance with the instruction manual, may cause harmful interference to radio communications. Operation of this equipment in a residential area is likely to cause harmful interference in which case the user will be required to correct the interference at his own expense.