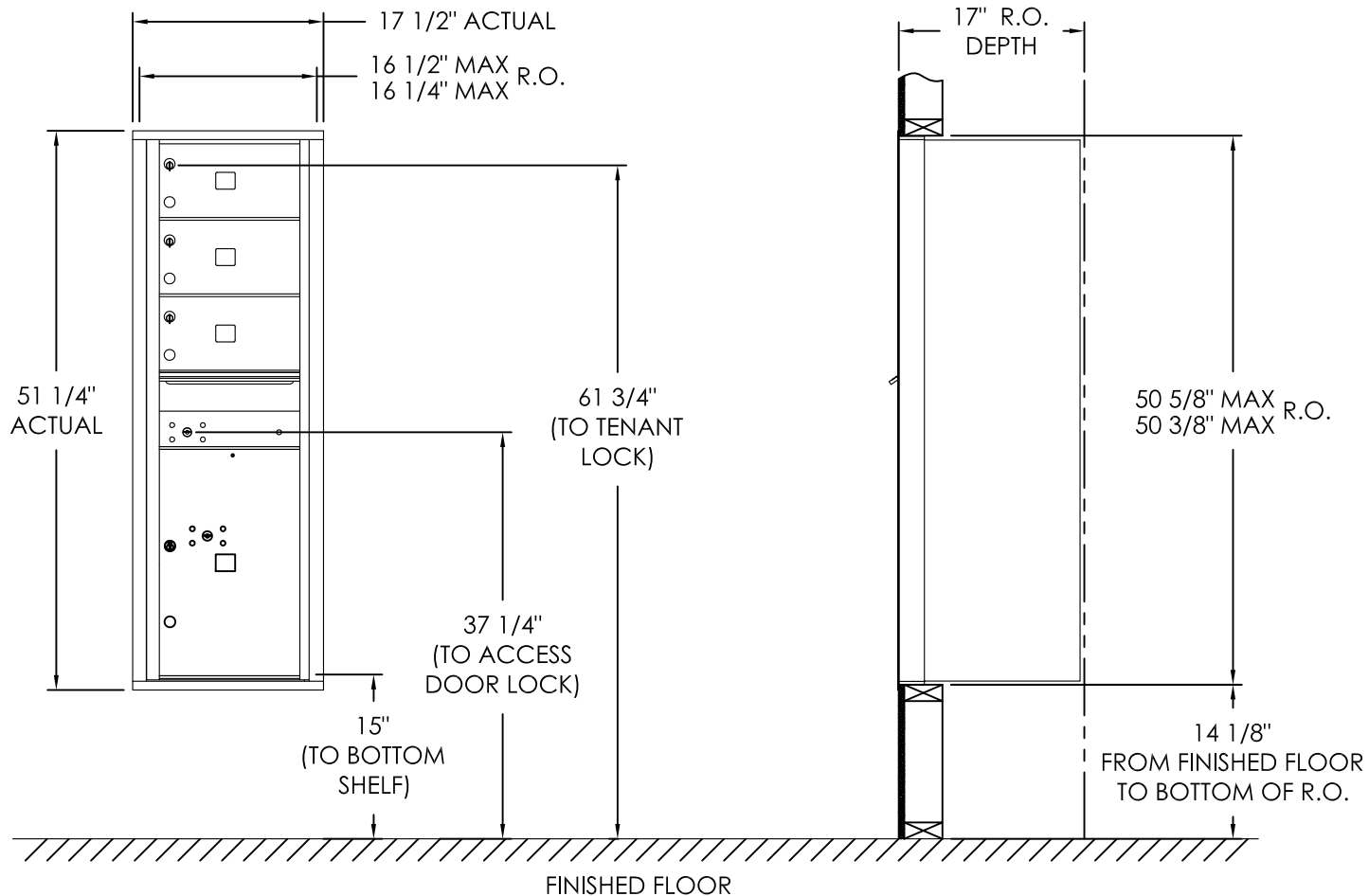


versatile™ 4C Mailbox, 4C14S-03



COMPARTMENT CHART

DESCRIPTION	COMPARTMENT	COMPARTMENT SIZE	QTY.
MAILBOX	MB2	6-1/2" H x 12" W x 15" D	3
OUTGOING MAIL	OM2	6-1/2" H x 12" W x 15" D	1
PARCEL	PL6	20-1/2" H x 12" W x 15" D	1

Notes:

1. This module meets the USPS STD-4C requirements for installation defined below when the mailbox is installed per the dimensions provided on this drawing.
 - a. At least one customer compartment shall be positioned less than 48" above finished floor (AFF).
 - b. No parcel locker (interior bottom shelf) shall be positioned less than 15" AFF.
 - c. No patron (tenant) lock shall be positioned more than 67" AFF.
 - d. No customer compartment (interior bottom shelf) shall be positioned less than 28" AFF.
 - e. The USPS Arrow lock shall be positioned 36"- 48" AFF.
2. This 4C mailbox can also be used for private applications.
3. The rough opening width for multi-unit 4C installations is provided using the Florence configurator: www.florencemailboxes.com/configurator.

PRODUCT SERIES: VERSATILE™ 4C FRONT LOAD MAILBOX

FLORENCE
 **CORPORATION**

5935 Corporate Drive • Manhattan, KS 66503
 800.275.1747 • www.florencemailboxes.com

MODEL 4C14S-03	REV B
SCALE NONE	LAST REV DATE 07/08/19
DRAWING NUMBER 4C14S-03CS	DRAWN BY RAK