

DGD

Gimbal Recessed **LED** Downlight

The DGD LED Downlight Gimbal Series offers a line of gimbal downlights that simplify installing tailored lighting in challenging locations. The high performing light engine with off-board driver allows for more flexible installations and increased lifetime with improved thermal management. The DGD fixture uses a plenum-rated cable connector to link the downlight module to the remote driver box and then pops into place with its adjustable, spring-loaded retention tabs for a secure fit, eliminating the need for a J-box or recessed housing. Adding directional lighting for architectural accent in areas such as living rooms, hallways, stairways and corridors is now easier than ever.



Aluminum Trim

Trims available in 2", 3" and 4"

Gimbal Lens

32° tilt with 360° rotation



Spring loaded retention arms

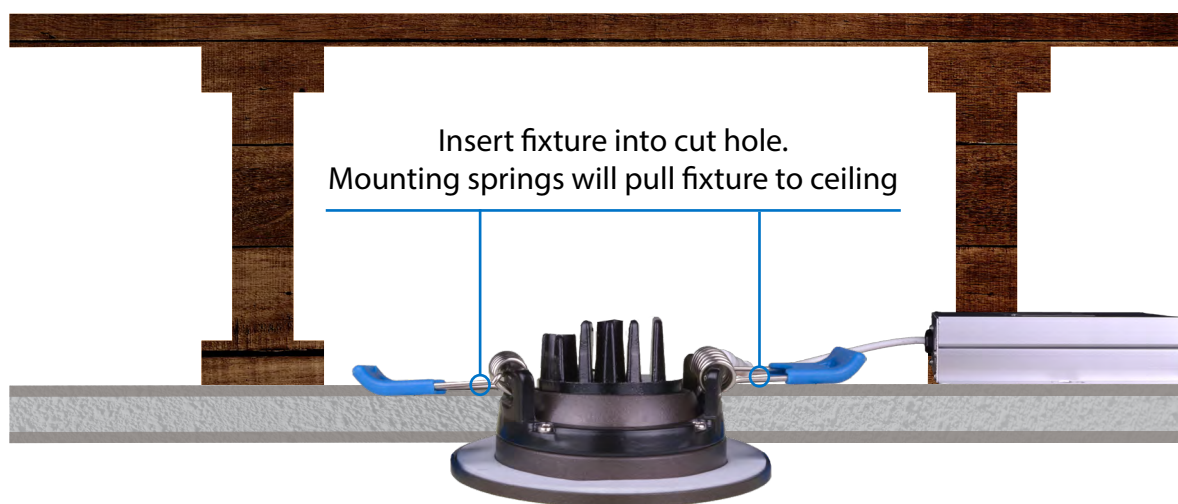
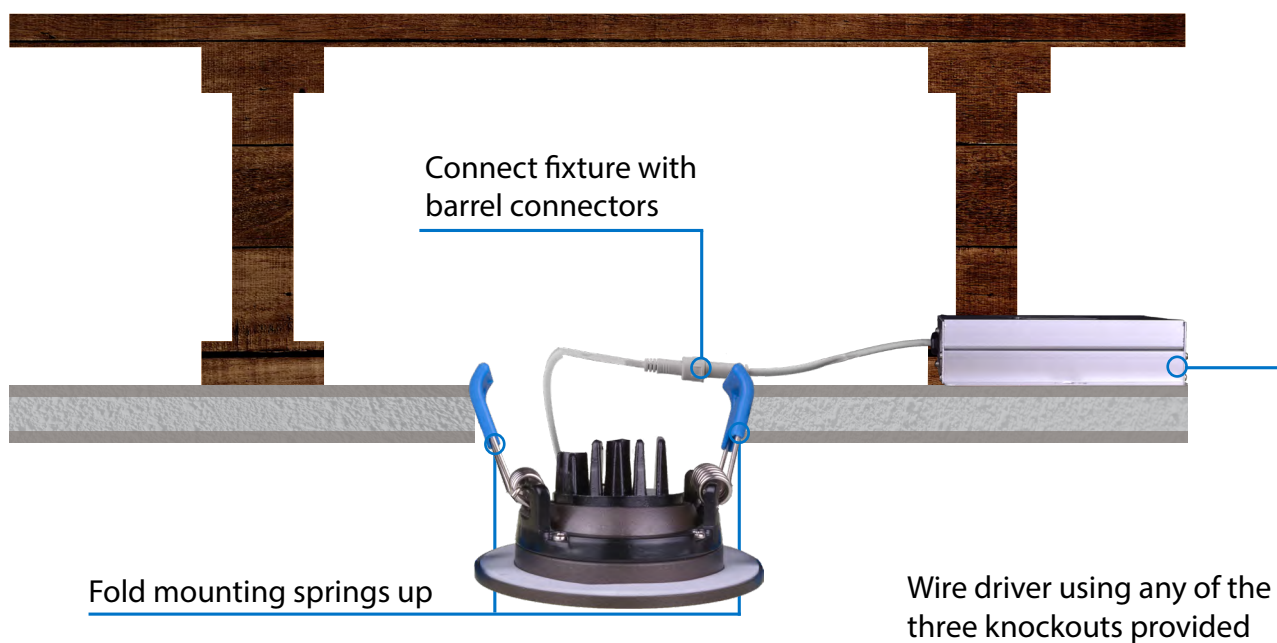
For easy installation, no housing needed

Cast Aluminum Housing

Keeps heat away from electrical components

Product Measurements			
	DGD2	DGD3	DGD4
Width:	2.5in (64 mm)	3.4in (86 mm)	5.0in (127 mm)
Height:	1.5in (38 mm)	2.0in (51 mm)	2.3in (58 mm)

Remote Driver Products Installation



DGD

Ordering Information

Construction

- Cast aluminum trim routes heat away from electrical components
- Adjustable, spring loaded retention tabs ensure secure fixture retention
- Certified for direct contact with insulation

Optical System

- COB with greater than 90 CRI and an R9 greater than 50
- TIR optic provides smooth, uniform light with a 40° beam angle
- 32° Tilt with 360° rotation

Electrical

- Off-board driver minimizes installation height and maximizes fixture life through improved heat management
- 120V input to driver
- Dimmable to less than 5% with compatible TRIAC dimmers
- Operating temperature rating of 0°F to 120°F (-18°C to 49°C)
- Lifetime rated for greater than 60,000 hours
- LM-79, LM-80 testing performed in accordance with IESNA standards

Finish

- Matte white powder coat finish
- Also available in Black, Oil-Rubbed Bronze and Nickel

Installation

- Spring loaded retention arms allow for easy installation with no need for a recessed housing
- Off-board driver/junction box includes two 1/2" KOs and three-port poke-in connectors
- Extension power cables (2', 10', 20') available
- Suitable for damp locations

Warranty

- 5-year limited system warranty standard
- Warranty does not cover product failure due to an overvoltage event (power surge)
- For installations where power surge may be possible, NICOR recommends installing additional surge protection at the electrical distribution panel



Performance Data			
Model Number	Lumens	Watts	Lumens/Watt
DGD211202KRDWH	356	4.8	74.2
DGD211203KRDWH	366	4.8	76.3
DGD211204KRDWH	376	4.8	78.3
DGD211205KRDWH	384	4.8	80.0
DGD311202KRDWH	571	7.9	72.3
DGD311203KRDWH	588	7.9	74.4
DGD311204KRDWH	603	7.9	76.3
DGD311205KRDWH	616	7.9	77.9
DGD411202KRDWH	983	11.6	84.7
DGD411203KRDWH	1012	11.6	87.2
DGD411204KRDWH	1038	11.6	89.5
DGD411205KRDWH	1060	11.6	91.4



Ordering Information						Example: DGD211203KRDWH
Series	Version	Housing Input Voltage	CCT	Shape	Trim Color	
DGD2	1 (v 1.0)	120 (V)	2K (2700 K)	RD (Round)	WH (white)	
DGD3			3K (3000 K)		BK (black)	
DGD4			4K (4000 K)		WH (nickel)	
			5K (5000 K)		OB (oil-rubbed bronze)	

(T24 not available in 5000K)