

The installation must only be performed by a licensed electrician.



To prevent death, injury or damage to property, this product must be installed in accordance to National Electrical Code (NFPA70) in the US or Canadian Electrical Code (CSA 22.1) in Canada.

Disconnect power before installing the product or servicing it.

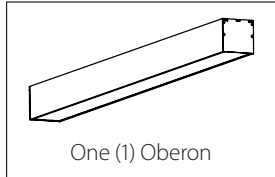
Wait until fixture has cooled down before installing or servicing the fixture.

Suitable for Continuous Row Mountings, 10 four (4) feet Fixtures Maximum and 5 eight (8) feet Fixtures Maximum.

Maximum Ambient Temperature Rating 40°C

MIN. 60°C SUPPLY CONDUCTORS

## What's In The Box



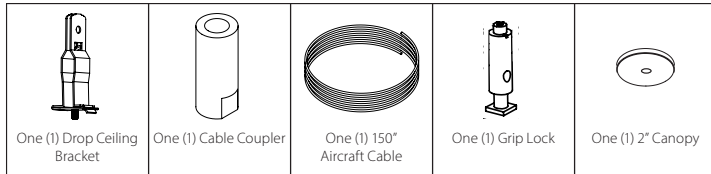
## Tools & Materials Needed

A screwdriver, drill, 3/16" hex driver, wire cutters, and appropriate hardware will be needed to install the LSQ.



## Aircraft Cable

LSQ Aircraft Cable Kit Non Power Feed, 150" Length - LSQ-1-CABLE

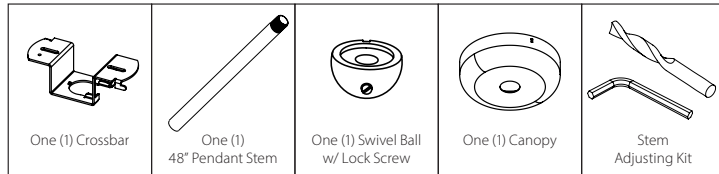


LSQ Aircraft Cable Kit Power Feed, 150" Length - LSQ-1-CABLE-PF

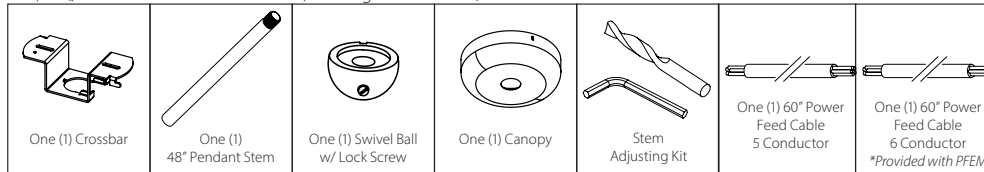


## Pendant Mount

LSA, LSQ, LSE Pendant Mount Non Power Feed, 48" Length - LSALSLSQ-1-PENDANT

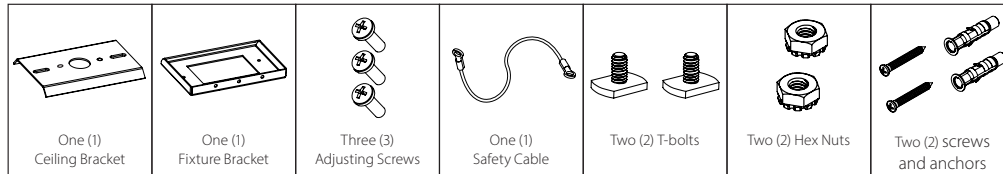


LSA, LSQ, LSE Pendant Mount Power Feed, 48" Length - LSALSLSQ-1-PENDANT-PF



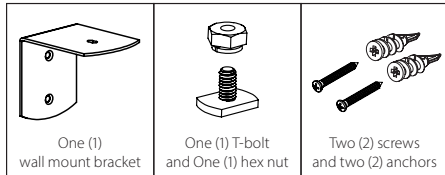
## Surface / Ceiling Mount

LSQ Surface Mount Kit - LSQ-1-SURFACE



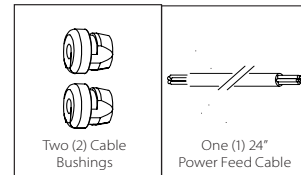
## Wall Mount

LSQ Wall Mount Bracket - LSQ-1-WALL

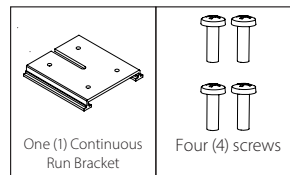


## Wall Mount Power Feed Continuous Run

LSQ Wall Mount Power Feed Kit - LSELSQ-1-WALL-PF

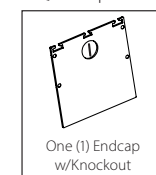


LSQ Continuous Run Bracket - LSQ-1-BRACKET



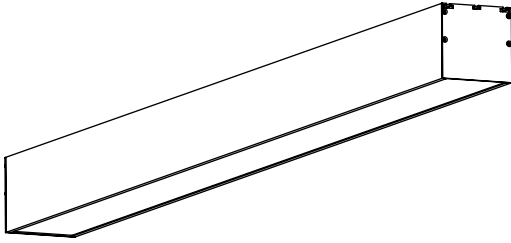
## Endcap w/ Knockout

LSQ Endcap W/Knockout & EVA - LSQ-1-ENDCAPKIT

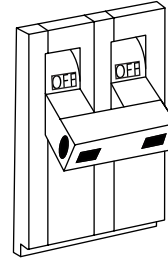


## GENERAL STEPS

Carefully unpack fixture from packaging and inspect for any damage caused in shipping.



Turn off power to appropriate circuit at the breaker box.



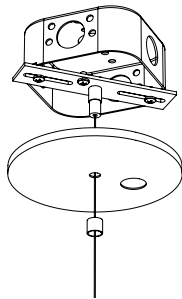
## AIRCRAFT CABLE MOUNT

### Step 1: PREPARE CANOPIES AND AIRCRAFT CABLES

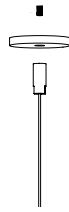
Install canopy as shown.

#### Mounting Dimensions

Length	A
4'	43 3/4"
8'	94"

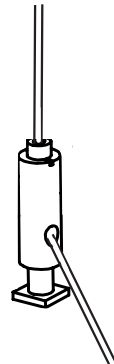


Power Feed Side  
Install crossbar to J-box



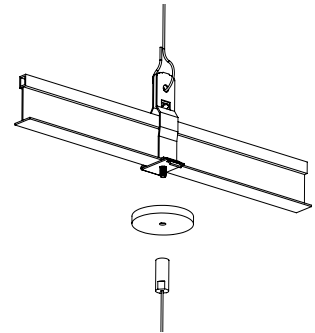
Non-Power Feed Side  
Install to anchor bolt  
(by others)

Install grip lock to cable leaving extra cable loose.



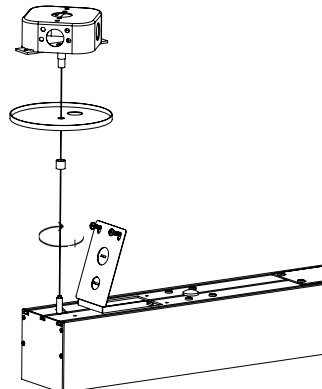
### If installing in a drop ceiling.

Attach the drop ceiling bracket to the main tee for the non-power feed side. Install the cable coupler with the aircraft cable to the screw with the canopy cover in place.

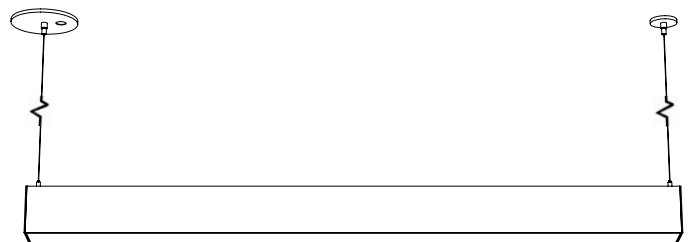


## Step 2: FIXTURE INSTALLATION

Install grip lock on fixture as shown (Slide and then twist to fasten).



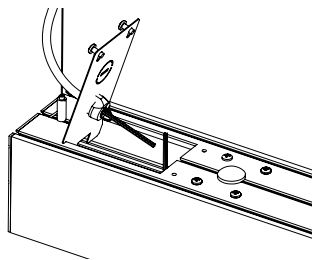
Adjust cable length.



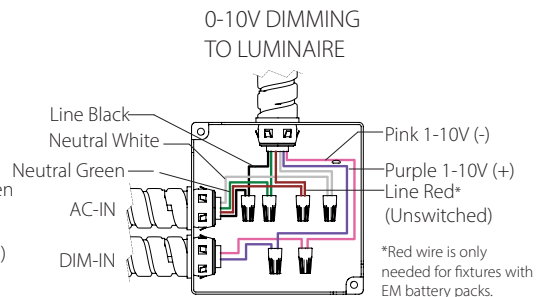
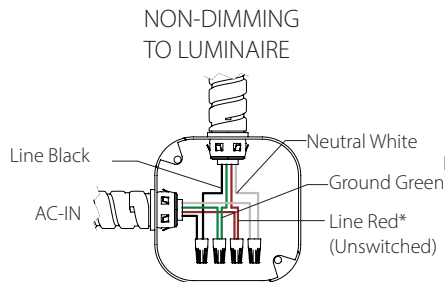
### Step 3: ELECTRICAL CONNECTIONS

Remove designated knockout. Use bushing to install power cables, make electrical connections.

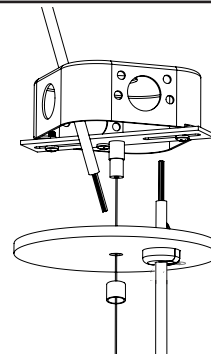
\*Dimming wires and red line (unswitched) are not provided with connectors. These connections need to be made with wire nuts.



Cut off female connector



Install power cord on canopy using provided busing.



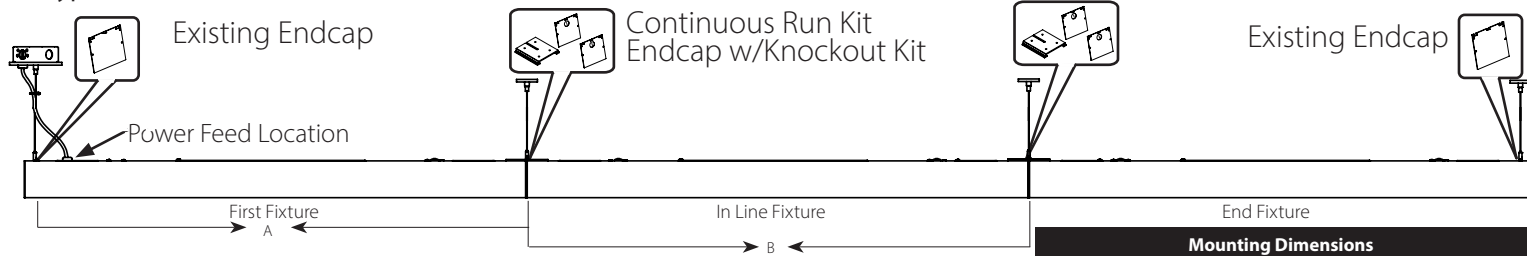
### Step 4: ATTACH CABLES

Use two (2) wire ties to secure branch circuit to aircraft cable on power feed side of fixture.



### AIRCRAFT CABLE MOUNT - CONTINUOUS RUN

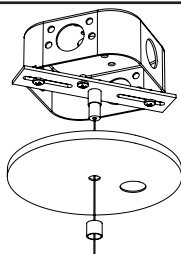
LSQ Typical Continuous Run Installation Kits



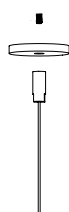
Mounting Dimensions		
Length	A	B
4'	45 3/4"	45 3/4"
8'	94"	96"

### Step 1: PREPARE CANOPIES AND AIRCRAFT CABLES

Install canopy as shown.

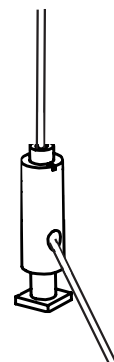


Power Feed Side  
Install crossbar to J-box



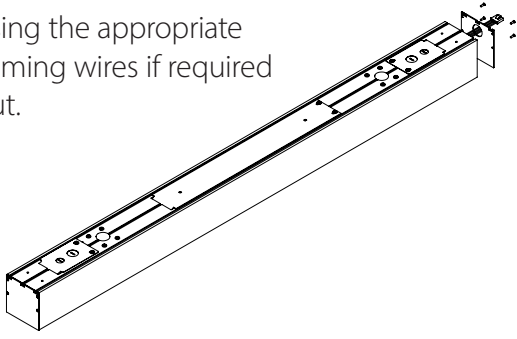
Non-Power Feed Side  
Install to anchor bolt  
(by others)

Install grip lock to cable leaving extra cable loose.

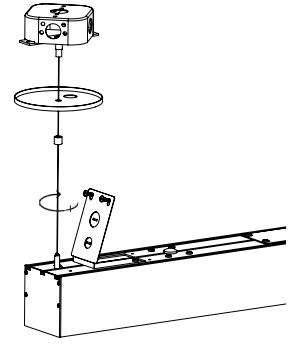


## Step 2: START FIXTURE

Swap end cap using the appropriate kits. Add the dimming wires if required through knockout.



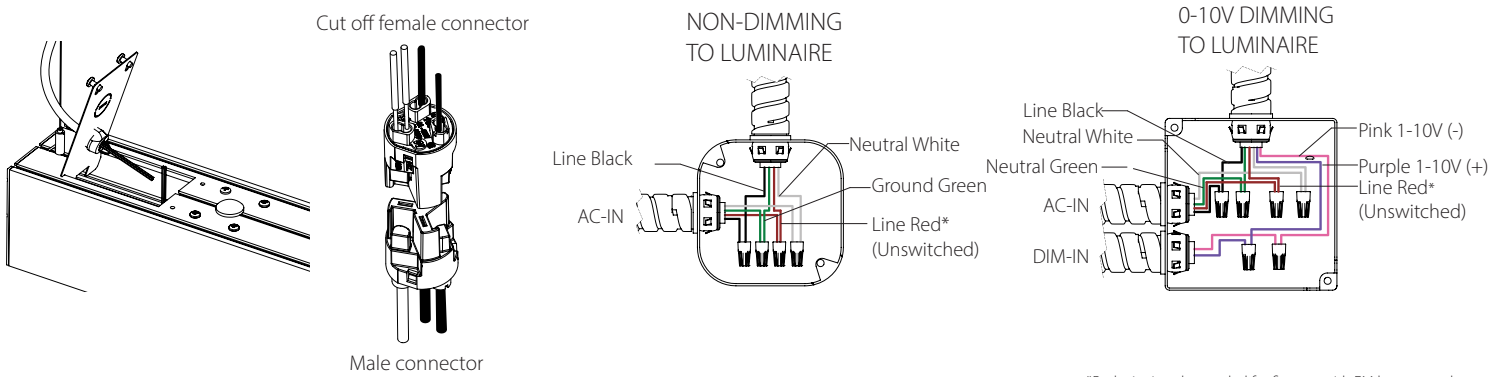
Install grip lock on fixture as shown and mount fixture.



## ELECTRICAL CONNECTIONS

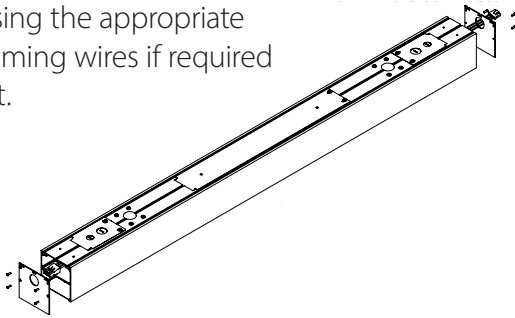
Remove designated knockout. Use bushing to install power cables, make electrical connections. Cut female connector quick cable.

\*Dimming wires and red line (unswitched) are not provided with connectors. These connections need to be made with wire nuts.

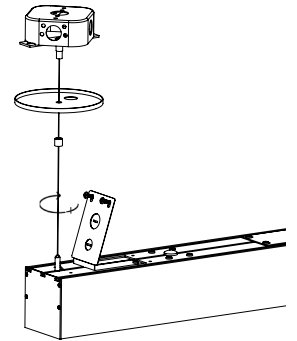


## Step 3: IN-LINE FIXTURE

Swap end caps using the appropriate kits. Feed the dimming wires if required through knockout.



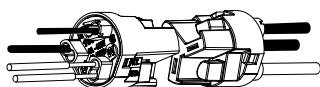
Install grip lock on fixture as shown and mount.



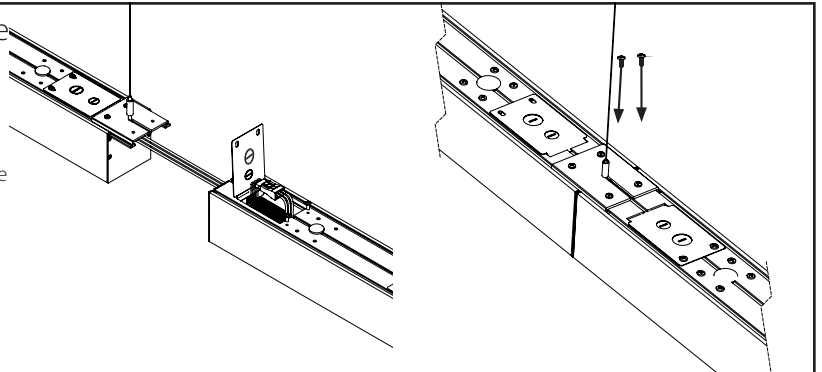
## ELECTRICAL CONNECTIONS

Connect quick connector from start fixture to female side of the in line fixture. Screw the continuous run bracket into place with the remaining two (2) provided screws.

\*Dimming wires and red line (unswitched) are not provided with connectors. These connections need to be made with wire nuts.

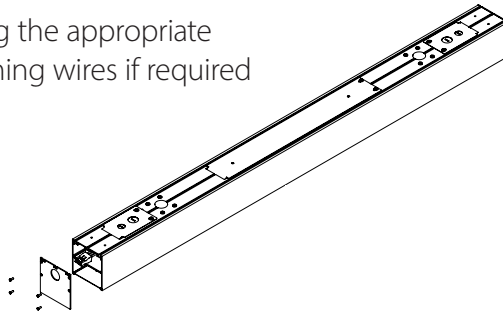


Female connector Male connector

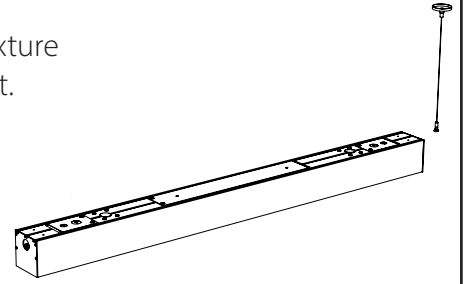


## Step 4: END FIXTURE

Swap end cap using the appropriate kits. Feed the dimming wires if required through knockout.



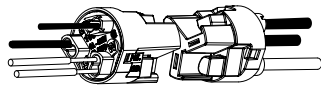
Install grip lock on fixture as shown and mount.



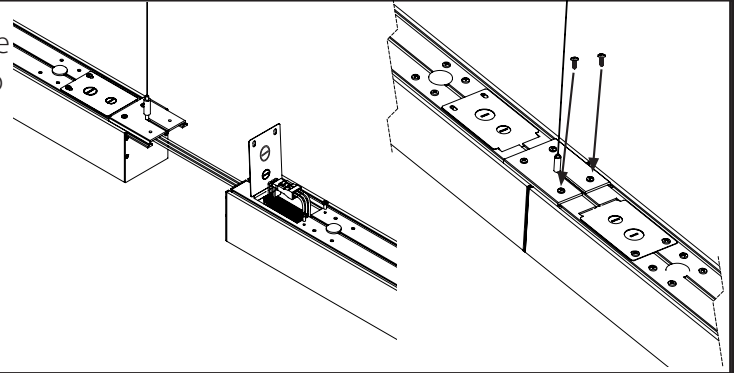
## ELECTRICAL CONNECTIONS

Connect quick connector from the in line fixture to the female side of the end fixture. Screw the continuous run bracket into place with the remaining two (2) provided screws.

\*Dimming wires and red line (unswitched) are not provided with connectors. These connections need to be made with wire nuts.



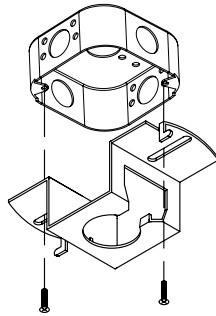
Female connector Male connector



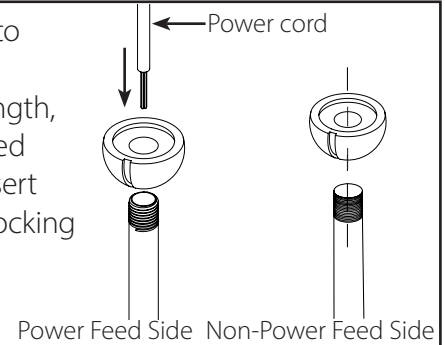
## PENDANT STEM MOUNT

### Step 1: PREPARE STEMS AND CANOPIES FOR INSTALLATION

Install the crossbar assemblies in the same direction to both J-Boxes using two fasteners per side (not provided).

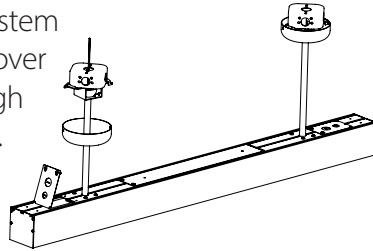


Thread pendant stem into swivel ball, as shown. For different pendant length, cut from exterior threaded side of the stem then insert into swivel ball and set locking screw.

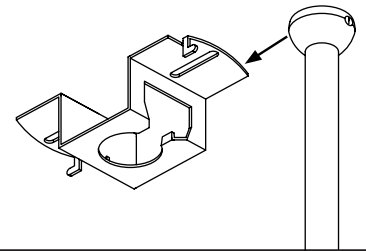


### Step 2: FIXTURE INSTALLATION

Install canopy and pendant stem by removing the pendant cover cap, feed power cord through fixture, and screw into place.



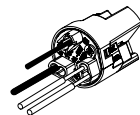
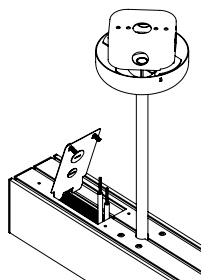
Close fixture, lift to the crossbar assemblies, and slide swivel balls into place.



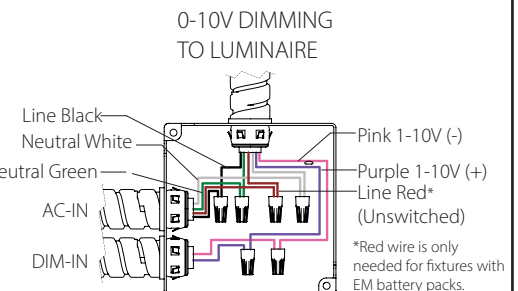
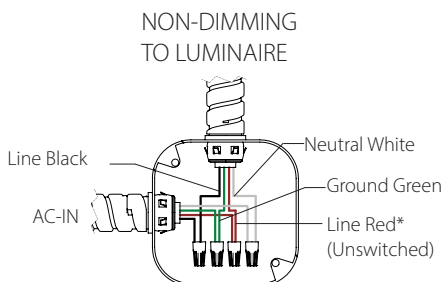
### Step 3: ELECTRICAL CONNECTIONS

Remove designated knockout. Use bushing to install power cables, make electrical connections.

\*Dimming wires and red line (unswitched) are not provided with connectors. These connections need to be made with wire nuts.

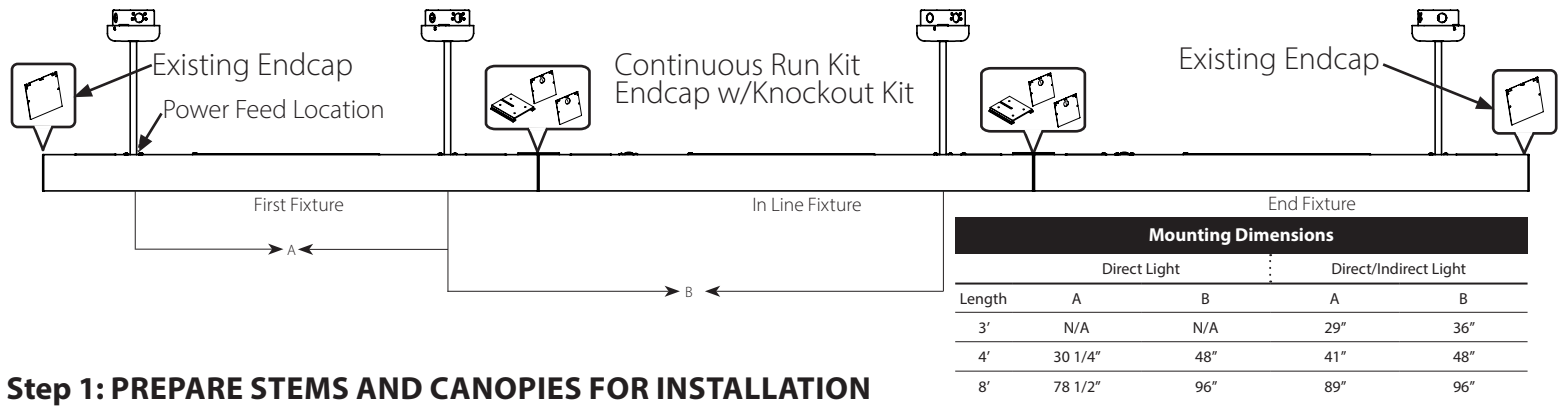


Cut off female connector



# PENDANT STEM MOUNT - CONTINUOUS RUN

LSQ Typical Continuous Run Installation Kits



## Step 1: PREPARE STEMS AND CANOPIES FOR INSTALLATION

Install the crossbar assemblies in the same direction to both J-Boxes using two fasteners per side (not provided).

Thread pendant stem into swivel ball, as shown. For different pendant length, cut from exterior threaded side of the stem then insert into swivel ball and set locking screw.

## Step 2: START FIXTURE

Swap end cap using the appropriate kits. Feed the dimming wires if required through knockout.

Install pendant stems onto fixture by removing the pendant cover cap, feed power cord through fixture, and screw stems into place. Close fixture, lift to the crossbar assemblies, and slide swivel balls into place. Install continuous run bracket on fixture.

## ELECTRICAL CONNECTIONS

Remove designated knockout. Use bushing to install power cables, make electrical connections. Cut female connector quick cable.

\*Dimming wires and red line (unswitched) are not provided with connectors. These connections need to be made with wire nuts.

**NON-DIMMING TO LUMINAIRE**

**0-10V DIMMING TO LUMINAIRE**

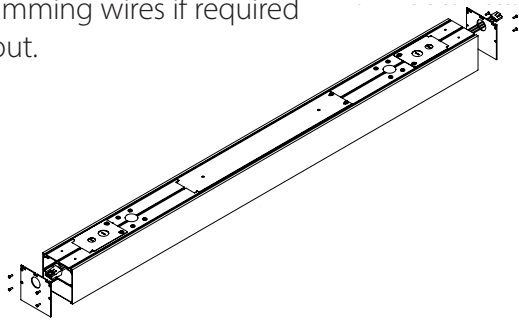
Cut off female connector

Male connector

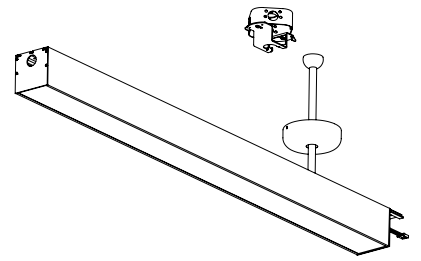
\*Red wire is only needed for fixtures with EM battery packs.

### Step 3: IN-LINE FIXTURE

Swap end caps using the appropriate kits. Feed the dimming wires if required through knockout.



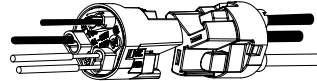
Install continuous run bracket then install pendant stem by removing the pendant cover cap, feed power cord through fixture, and screw into place. Close fixture, lift to the crossbar assemblies, and slide swivel ball into place.



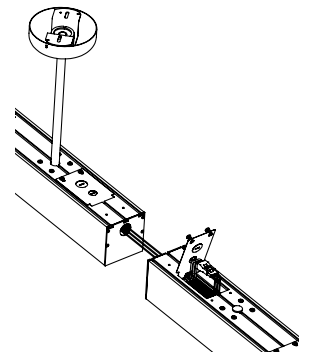
### ELECTRICAL CONNECTIONS

Connect quick connector from start fixture to female side of the in line fixture. Screw the continuous run bracket into place with the remaining two (2) provided screws.

\*Dimming wires and red line (unswitched) are not provided with connectors. These connections need to be made with wire nuts.

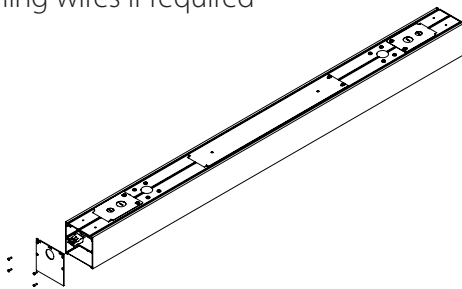


Female connector Male connector

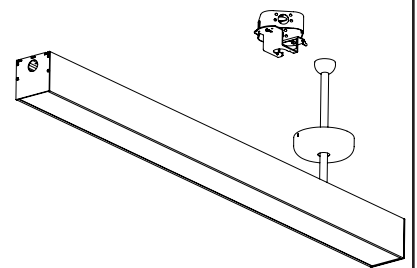


### Step 4: END FIXTURE

Swap end cap using the appropriate kits. Feed the dimming wires if required through knockout.



Install continuous run bracket then install pendant stem by removing the pendant cover cap, and screw into place. Close fixture, lift to the crossbar assemblies, and slide swivel ball into place. Install canopy cover by squeezing and twisting cover to snap in to place.



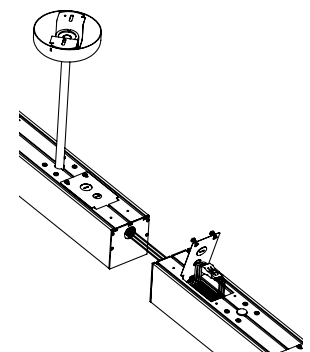
### ELECTRICAL CONNECTIONS

Connect quick connector from in line fixture to female side of the end fixture. Screw the continuous run bracket into place with the remaining two (2) provided screws.

\*Dimming wires and red line (unswitched) are not provided with connectors. These connections need to be made with wire nuts.



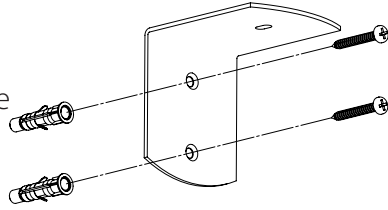
Female connector Male connector



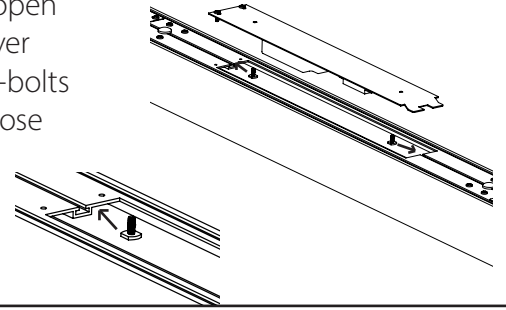
## WALL MOUNT

### Step 1: PREPARE WALL BRACKETS FOR INSTALLATION

Identify mounting locations and fasten brackets to wall using provided screws and anchors. Ensure brackets are even and level.



To install T-bolt, open wire cover or driver cover and slide T-bolts into track then close wire cover.

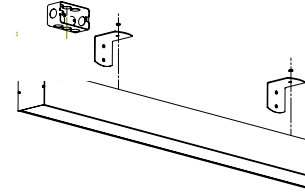


#### Mounting Dimensions

Length	A
4'	24"
8'	72 1/2"

### Step 2: FIXTURE INSTALLATION

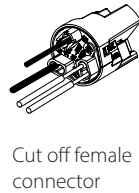
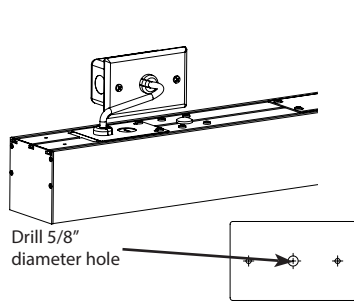
Install fixture by screwing the provided nuts onto the bolts and tighten wall mounting brackets. Install single gang J-box as shown (12" max distance from fixture's power feed hole).



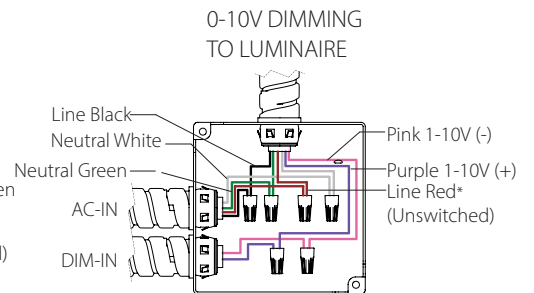
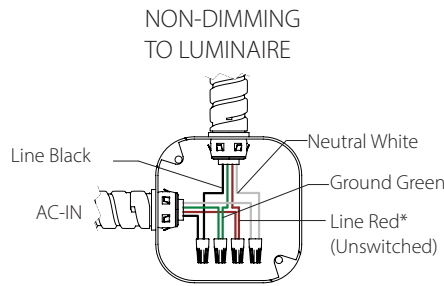
### Step 3: ELECTRICAL CONNECTIONS

Make wiring connections according to diagram.

\*Dimming wires and red line (unswitched) are not provided with connectors. These connections need to be made with wire nuts.



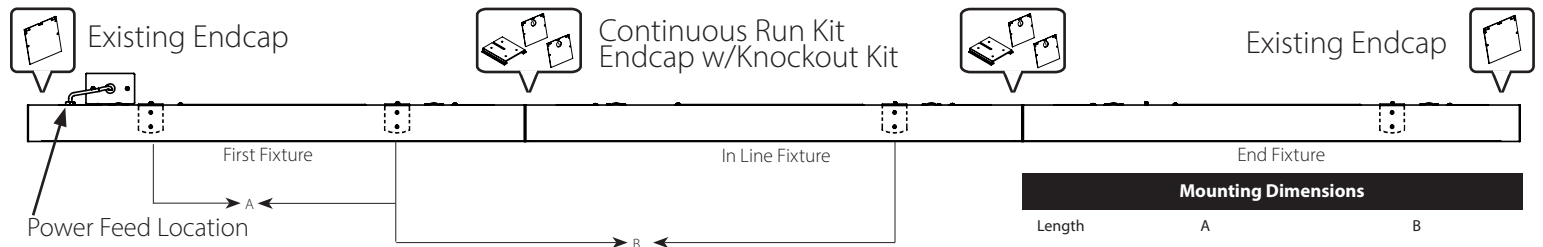
Cut off female connector



\*Red wire is only needed for fixtures with EM battery packs.

## WALL MOUNT - CONTINUOUS RUN

LSQ Typical Continuous Run Installation Kits

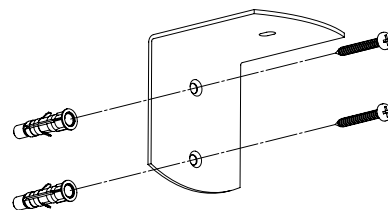


#### Mounting Dimensions

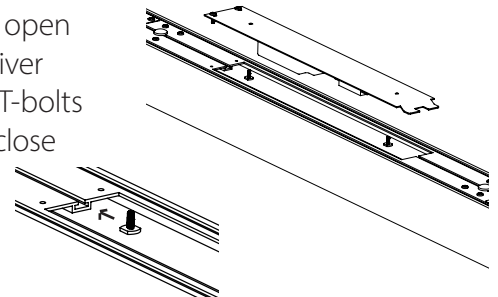
Length	A	B
4'	23 3/4"	47 3/4"
8'	72 1/2"	96"

### Step 1: PREPARE WALL BRACKETS FOR INSTALLATION

Identify mounting locations and fasten brackets to wall using provided screws and anchors. Ensure brackets are even and level.

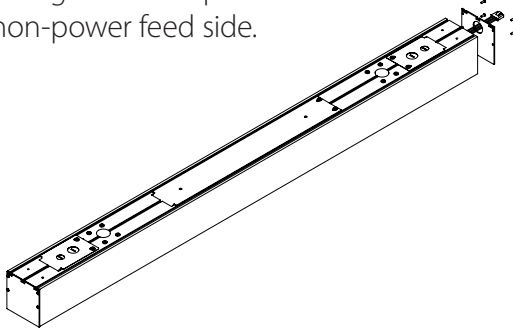


To install T-bolt, open wire cover or driver cover and slide T-bolts into track then close wire cover.

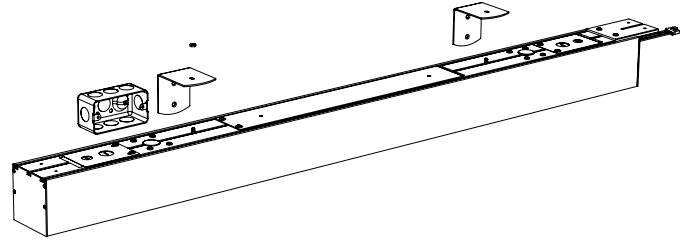


## Step 2: START FIXTURE

Swap end caps using the appropriate kits. Add the dimming wires if required to the fixture of non-power feed side.

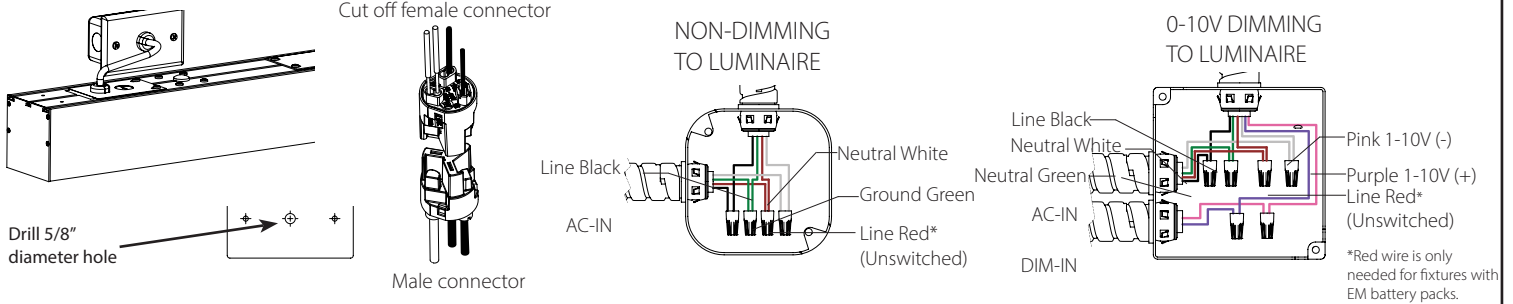


Install fixture by screwing the provided nuts onto the bolts and tighten wall mounting brackets. Install single gang J-box as shown (12" max distance from fixture's power feed hole). Attach run bracket on male fixture side.



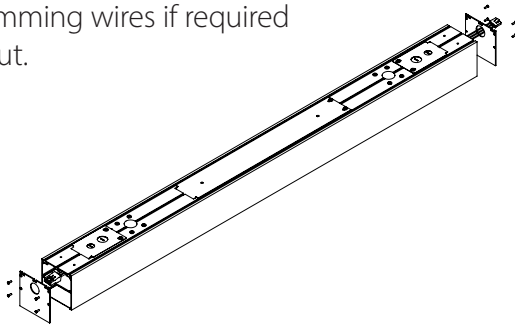
## ELECTRICAL CONNECTIONS

Make wiring connections according to diagram. Maximum distance from J-box to fixture's power feed location is 12".  
\*Dimming wires and red line (unswitched) are not provided with connectors. These connections need to be made with wire nuts.

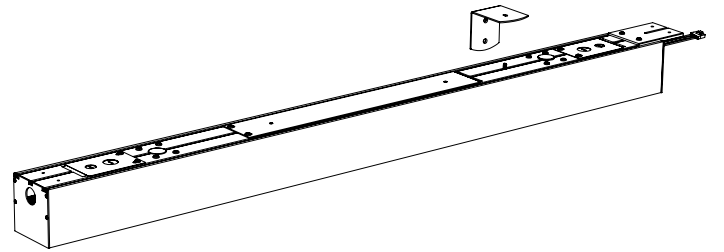


## Step 3: IN-LINE FIXTURE

Swap end caps using the appropriate kits. Feed the dimming wires if required through knockout.



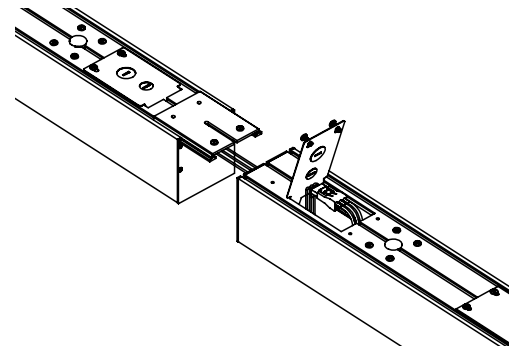
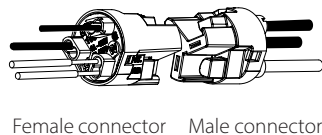
Install fixture by screwing the provided nuts onto the bolts and tighten wall mounting brackets.



## ELECTRICAL CONNECTIONS

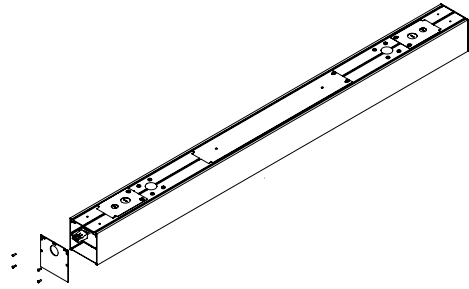
Connect quick connectors from start fixture to female side of the in line fixture. Screw the continuous run bracket into place with the remaining two (2) provided screws.

\*Dimming wires and red line (unswitched) are not provided with connectors. These connections need to be made with wire nuts.

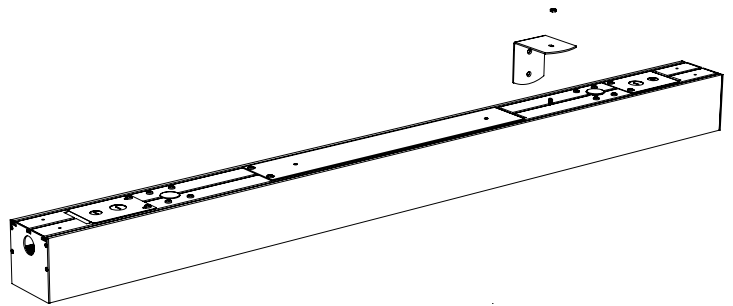


## Step 4: END FIXTURE

Swap end cap using the appropriate kits. Feed the dimming wires if required through knockout.



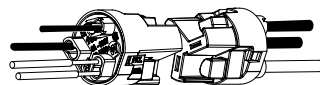
Install fixture by screwing the provided nuts onto the bolts and tighten wall mounting brackets.



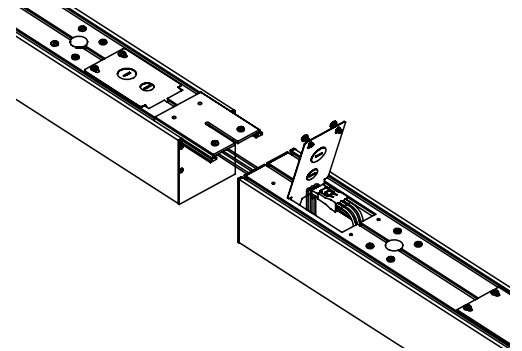
## ELECTRICAL CONNECTIONS

Connect quick connector from in line fixture to female side of the end fixture. Screw the continuous run bracket into place with the remaining two (2) provided screws.

\*Dimming wires and red line (unswitched) are not provided with connectors. These connections need to be made with wire nuts.



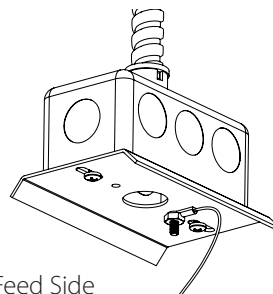
Female connector Male connector



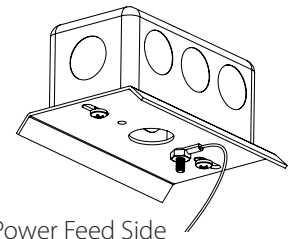
## SURFACE / CEILING MOUNT

### Step 1: PREPARE BRACKETS AND SURFACE

Fasten mounting brackets to J-boxes.



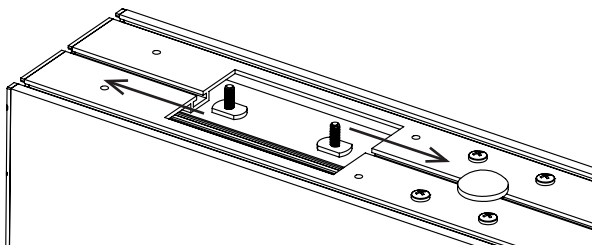
Power Feed Side



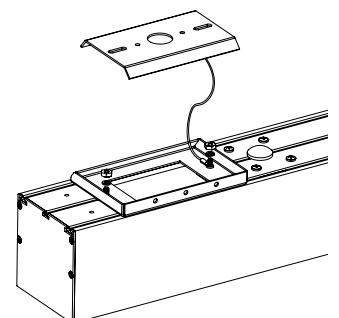
Non-Power Feed Side

### Step 2: INSTALL BRACKETS AND CABLES

Remove wiring cover and install two (2) T-bolts on each end of opening, discarding the cover.



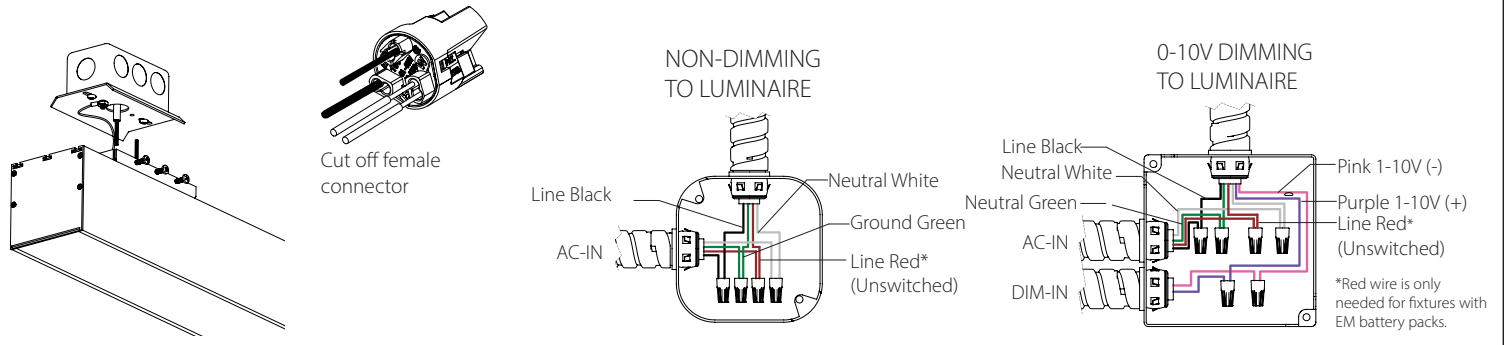
Install one (1) bracket per pair of installed T-bolts and leave safety cables.



### Step 3: ELECTRICAL CONNECTIONS

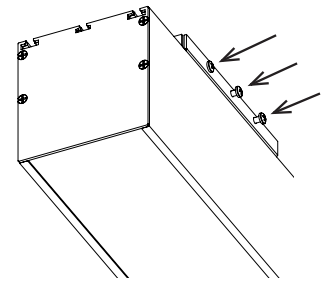
Bring line-in through knockout hole, make wiring connections.

\*Dimming wires and red line (unswitched) are not provided with connectors. These connections need to be made with wire nuts.



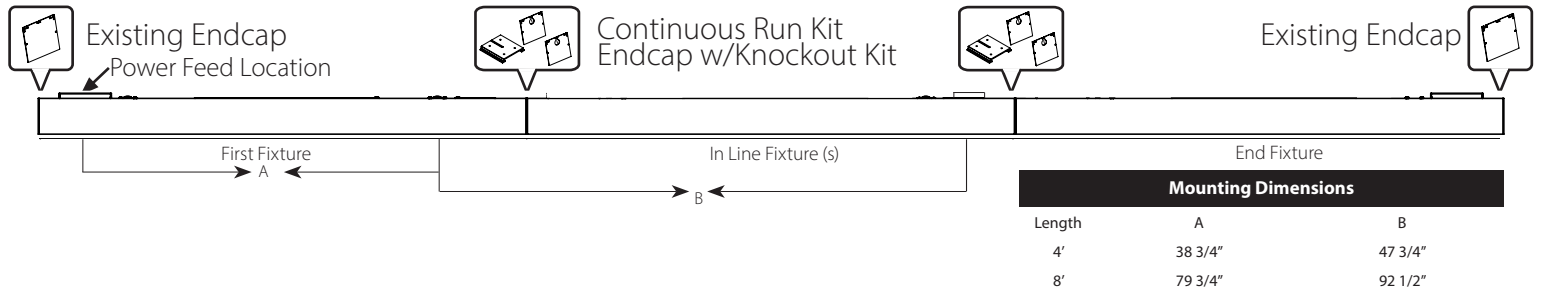
### Step 3: MOUNTING

Raise fixture assembly to brackets and install three (3) adjusting screws per mounting as shown. Do **not** over torque screws.



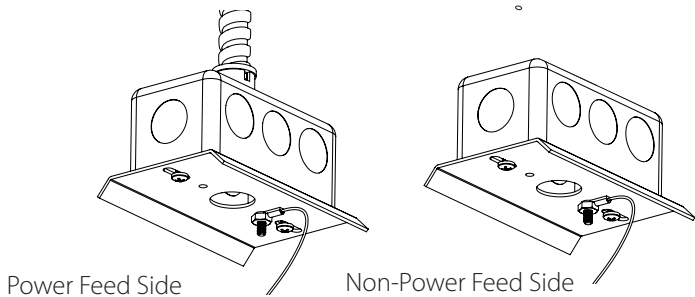
### SURFACE / CEILING MOUNT - CONTINUOUS RUN (First fixture has two (2) mounting brackets & following fixtures have only one (1) mounting bracket)

LSQ Typical Continuous Run Installation Kits

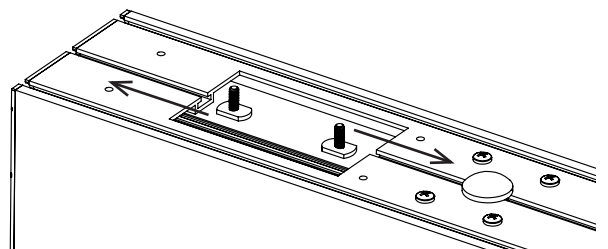


### Step 1: PREPARE BRACKETS AND SURFACE

Fasten mounting brackets to J-boxes.

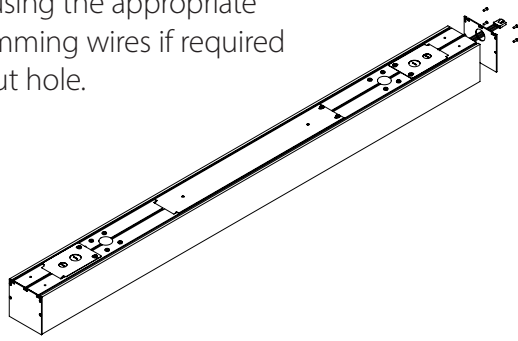


Remove wiring cover and install two (2) T-bolts on each end of opening, discarding the cover.

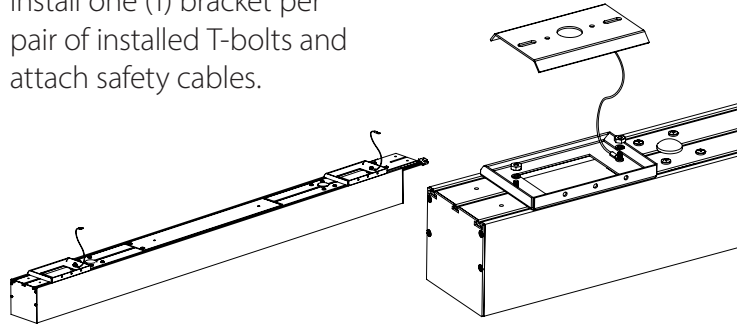


## Step 2: START FIXTURE

Swap end caps using the appropriate kits. Feed the dimming wires if required through knockout hole.



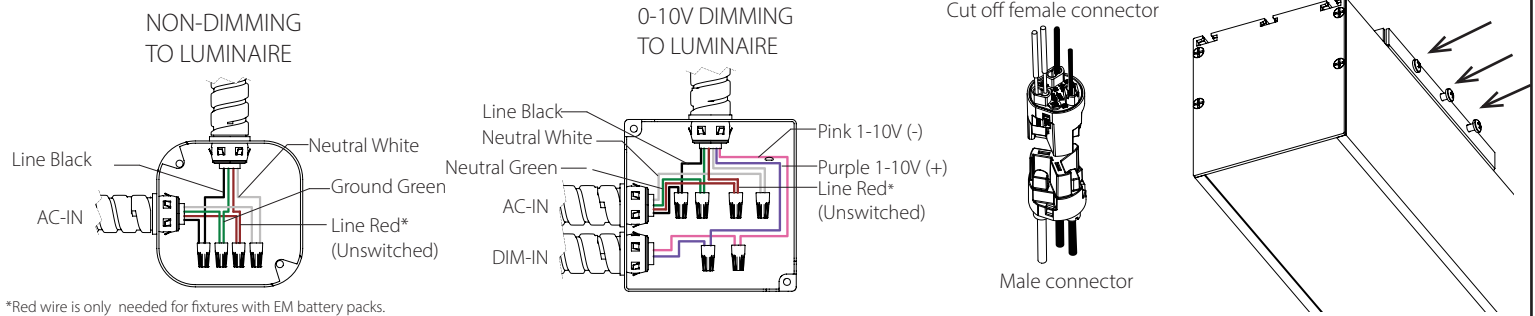
Install one (1) bracket per pair of installed T-bolts and attach safety cables.



## ELECTRICAL CONNECTIONS

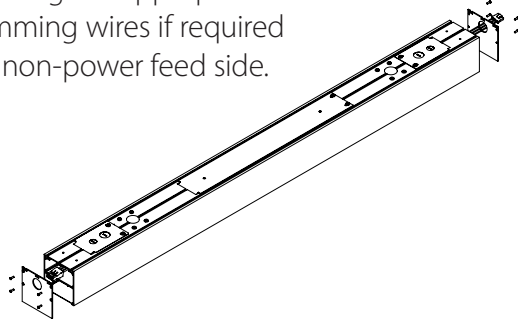
Make electrical connections. Secure the three (3) adjusting screws per mounting Do **not** over torque screws.

\*Dimming wires and red line (unswitched) are not provided with connectors. These connections need to be made with wire nuts.

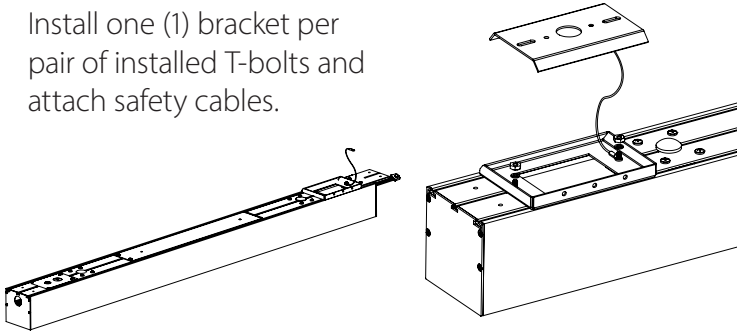


## Step 3: IN-LINE FIXTURE

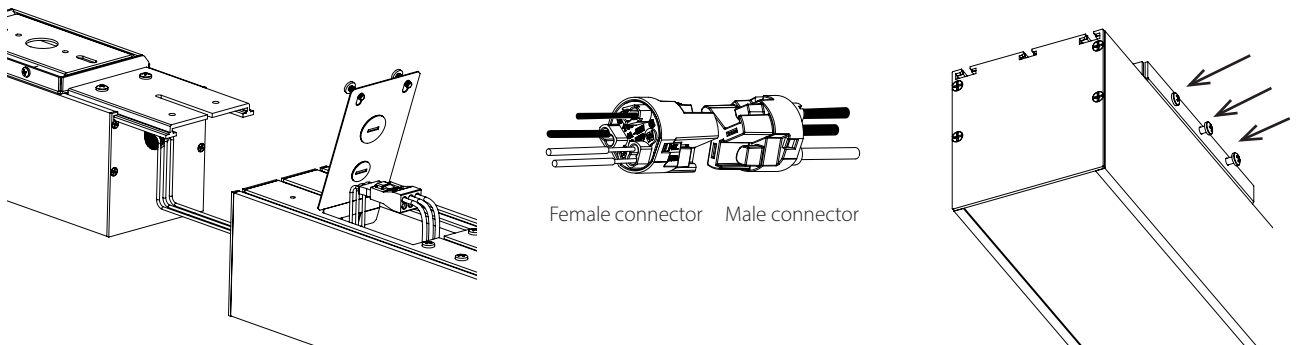
Swap end caps using the appropriate kits. Add the dimming wires if required to the fixture of non-power feed side.



Install one (1) bracket per pair of installed T-bolts and attach safety cables.

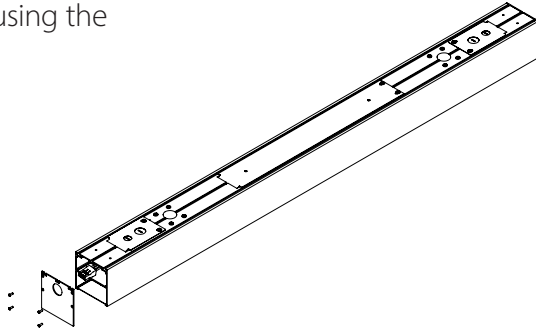


Connect male quick connector from start fixture to female connector from in-line fixture. Secure the three (3) adjusting screws per mounting Do **not** over torque screws.

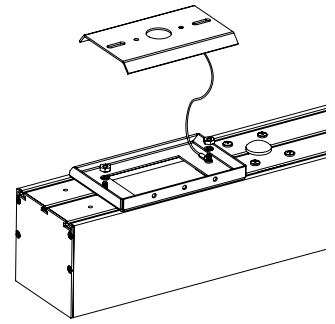
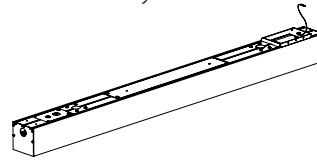


## Step 4: END FIXTURE

Swap end caps using the appropriate kits.

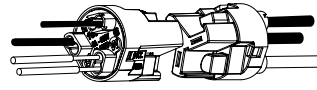
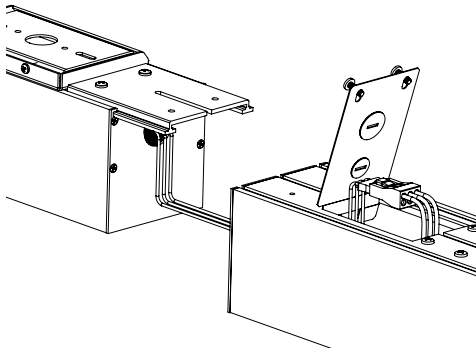


Install one (1) bracket per pair of installed T-bolts and attach safety cables.

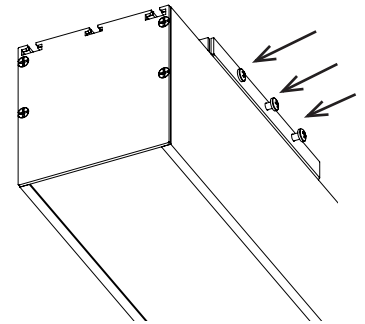


Connect male quick connector from start fixture female quick connector from in-line fixture. Secure the three (3) adjusting screws per mounting Do **not** over torque screws.

\*Dimming wires and red line (unswitched) are not provided with connectors. These connections need to be made with wire nuts.



Female connector Male connector



## GENERAL STEPS

Confirm fixture is securely attached to mounting surface.

Turn power ON and verify fixture is lit.

## Sensor Installation

1. Replace existing endcap with new endcap with Knockout hole. Remove knockout to install sensor.
2. Wire sensor to fixture follow wiring instructions provided by sensor manufacture.
3. Reinstall endcap. Do not over tighten screws.

For the sensor integrated model the fixture can control an additional six (6) 4' LSQ fixtures and for the 8' LSQ three (3) additional fixtures.

**LED EXPRESS LIMITED WARRANTY**

Subject to the exclusions below, each NICOR LED product, including the LED electronics and components of a property installed NICOR LED product, will be free from defect in materials and workmanship for a period of five (5) years from the original date of purchase. The product shall be considered defective only if 10% or more of the product's LED components fail. NICOR LED product warranty covers the following performance criteria: LED Light Output will be maintained above 70% of initial output; LED color temperature will not shift more than 200K in CCT; LED driver will operate within NICOR specifications; and the fixture finish, excluding natural aluminum or brass products, will not exhibit cracking, peeling, excessive fading, or corrosion during the warranty period. Exceptions apply as defined in NICOR's product specification sheets, which are incorporated by reference herein.

This limited warranty is provided to you, the purchaser of the product identified on Seller's invoice, as your exclusive remedy and applies only to NICOR products that have been purchased from an authorized NICOR Distributor; the product was new and in an unopened NICOR package at the time of installation; and the NICOR product was installed by a licensed electrician or under the supervision of a licensed electrician and used by consumers in the United States or Canada when accompanied with this warranty. This warranty extends only to the first consumer purchaser and is not transferable. A consumer wishing to invoke the terms of this limited warranty must first obtain a RGA number within 30 days of discovery of the defect, and return the product to NICOR for inspection. Once verified to be covered by this limited warranty, NICOR will, at its sole discretion, repair, replace, or refund the purchase price of any product that does not conform to this limited warranty. If NICOR, at its sole discretion, determines that the product should be repaired or replaced, this warranty is limited to the reasonable, customary, and necessary costs and expenses associated with the repair/replacement. This warranty requires that all repair/replacement estimates and costs, including but not limited to equipment rental (if any), and any other cost or expense to be incurred in the repair/replacement of the product, be approved in advance and in writing by NICOR. FAILURE TO OBTAIN NICOR'S ADVANCE WRITTEN APPROVAL OF ALL REPAIR/REPLACEMENT COSTS AND EXPENSES IN WRITING SHALL VOID THIS LIMITED WARRANTY.

**THIS LIMITED WARRANTY DOES NOT COVER THE FOLLOWING:**

- Defects or damages resulting from improper installation, operation, storage, misuse or abuse, accident, or neglect;
- Defects or damages resulting from improper service, testing, adjustment, installation, maintenance, alteration, connection to out-of specification electrical service, corrosive or damp environments, or connection to incompatible equipment or devices (e.g., connecting non-dimmable lighting products to dimmers);
- Damage which occurs in transit;
- Power surges or overheating due to external conditions;
- Acts of nature including but not limited to lightning strikes

ANY IMPLIED WARRANTIES, INCLUDING WITHOUT LIMITATION, THE IMPLIED WARRANTIES OF MERCHANTABILITY AND FITNESS FOR A PARTICULAR PURPOSE SHALL BE LIMITED TO THE DURATION OF THIS LIMITED WARRANTY, OTHERWISE THE REPAIR, REPLACEMENT, OR REFUND AS PROVIDED UNDER THIS EXPRESS LIMITED WARRANTY IS THE EXCLUSIVE REMEDY OF THE CONSUMER, AND IS PROVIDED IN LIEU OF ALL OTHER WARRANTIES, EXPRESS OR IMPLIED. IN NO EVENT SHALL NICOR BE LIABLE, WHETHER IN CONTRACT OR IN TORT (INCLUDING NEGLIGENCE) FOR DAMAGES IN EXCESS OF THE PURCHASE PRICE OF THE PRODUCT, OR FOR ANY INDIRECT, INCIDENTAL, SPECIAL OR CONSEQUENTIAL DAMAGES OF ANY KIND, OR LOSS OF REVENUE OR PROFITS, LOSS OF BUSINESS OR OTHER FINANCIAL LOSS ARISING OUT OF OR IN CONNECTION WITH THE ABILITY OR INABILITY TO USE THE PRODUCT TO THE FULL EXTENT THESE DAMAGES MAY BE DISCLAIMED BY LAW.

Copyright 2014, NICOR, Inc.  
Revised October 2017



**WE WOULD LIKE TO HEAR FROM YOU**



**WRITE A REVIEW**



**Scan QR Code or Visit**  
[nicorlighting.com/support/survey](http://nicorlighting.com/support/survey)

