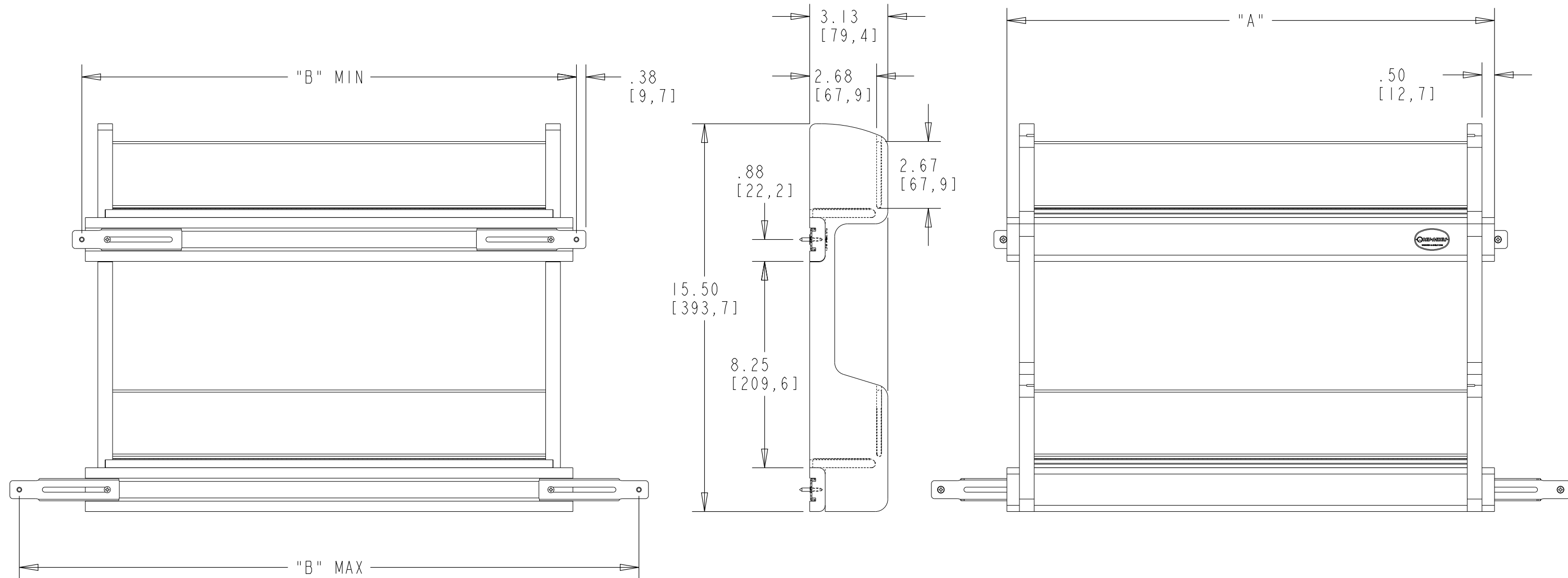


PART NUMBER	"A"	"B" MIN	"B" MAX
4VR1215	7.50 [190,5]	7.78 [197,6]	12.78 [324,6]
4VR1515	10.50 [266,7]	10.78 [273,8]	15.78 [400,8]
4VR1815	13.50 [342,9]	13.78 [350]	18.78 [477]
4VR2115	16.50 [419,1]	16.78 [426,2]	21.78 [553,2]
4VR2415	19.50 [495,3]	19.78 [502,4]	24.78 [629,4]



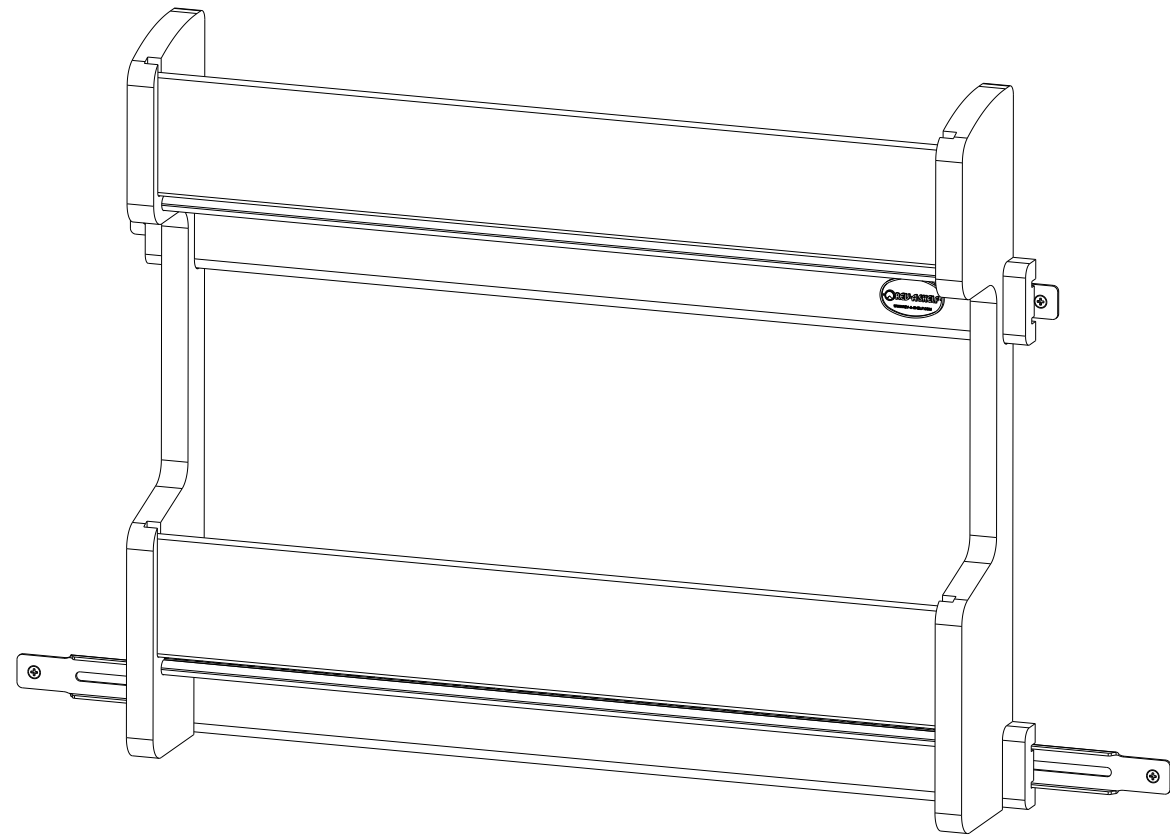
CUSTOMER DRAWING

This drawing is the property of Rev-A-Shelf (RAS) and is disclosed in confidence to the extent its subject matter is original to RAS. Any vendor receiving this drawing from RAS shall hold and use this drawing for the sole benefit of RAS and shall not disclose it to, or use or reproduce it for any third party, or perform any act adverse to the interest of RAS with respect to this drawing without the express written permission of RAS. Vendors shall not revise any physical, dimensional or performance characteristic unless authorized by Rev-A-Shelf Engineering.

REV.	DATE	BY	DESCRIPTION OF CHANGE
A	5/16/19	JCD	ECN19-025

INCH [MM]	AMERICAN PROJECTION	BY	DATE	REV-A-SHELF, INC.
		BKT	9/19/17	
DRAWN		MATERIAL	SIZE	4VRXX15 VANITY STORAGE RACK
TOLERANCES		FINISH	DRAWING NO.	SCALE
MAT. (WOOD) .XX ±.03 [8mm]	DEC. (OTHER) .XX ±.02 [5mm]		4VRXX15-CUST	0.250
(ALL) .XXX ±.005 [13 mm]		PART NO.		SHEET OF
FRACTIONS ±1/32 [8 mm]		4VRXX15		1 2

MIN CABINET OPENING									
	4VR1215, 4VR1515, 4VR1815, 4VR2115, 4VR2415					4VR1215			
	FACE FRAME	FRAMELESS	INSET FACE FRAME	INSET FRAMELESS		FACE FRAME	FRAMELESS	INSET FACE FRAME	INSET FRAMELESS
DEPTH	3.25 [82,5]	3.25 [82,5]	4.00 [101,6]	4.00 [101,6]	WIDTH	9.00 [229]	9.00 [229]	9.00 [229]	9.00 [229]
HEIGHT	16.00 [406,4]	16.00 [406,4]	16.00 [406,4]	16.00 [406,4]		4VR1515			
					WIDTH	12.00 [305]	12.00 [305]	12.00 [305]	12.00 [305]
						4VR1815			
					WIDTH	15.00 [381]	15.00 [381]	15.00 [381]	15.00 [381]
						4VR2115			
					WIDTH	18.00 [457]	18.00 [457]	18.00 [457]	18.00 [457]
						4VR2415			
					WIDTH	21.00 [533]	21.00 [533]	21.00 [533]	21.00 [533]



PART DIMENSIONS					
	4VR1215	4VR1515	4VR1815	4VR2115	4VR2415
WIDTH *	7.50 [190,5]	10.50 [266,7]	13.50 [342,9]	16.50 [419,1]	19.50 [495,3]
DEPTH	3.13 [79,4]	3.13 [79,4]	3.13 [79,4]	3.13 [79,4]	3.13 [79,4]
HEIGHT	15.50 [393,7]	15.50 [393,7]	15.50 [393,7]	15.50 [393,7]	15.50 [393,7]

* NOT INCLUDING BRACKETS

This drawing is the property of Rev-A-Shelf (RAS) and is disclosed in confidence to the extent its subject matter is original to RAS. Any vendor receiving this drawing from RAS shall hold and use this drawing for the sole benefit of RAS and shall not disclose it to, or use or reproduce it for any third party, or perform any act adverse to the interest of RAS with respect to this drawing without the express written permission of RAS. Vendors shall not revise any physical, dimensional or performance characteristic unless authorized by Rev-A-Shelf Engineering.

REV.	DATE	BY	DESCRIPTION OF CHANGE

INCH [MM]	AMERICAN PROJECTION	DRAWN	BY	DATE	REV-A-SHELF, INC.
			BKT	9/19/17	
			MATERIAL	DRAWING NO.	SCALE
			FINISH	4VRXX15-CUST	0.250
				PART NO.	SHEET OF
				4VRXX15	2 2

TOLERANCES
 MAT. DEC.
 (WOOD) .XX ±.03 [8mm]
 (OTHER) .XX ±.02 [5mm]
 (ALL) .XXX ±.005 [13 mm]
 FRACTIONS ±1/32 [8 mm]

ANGLES
 ±1/2°