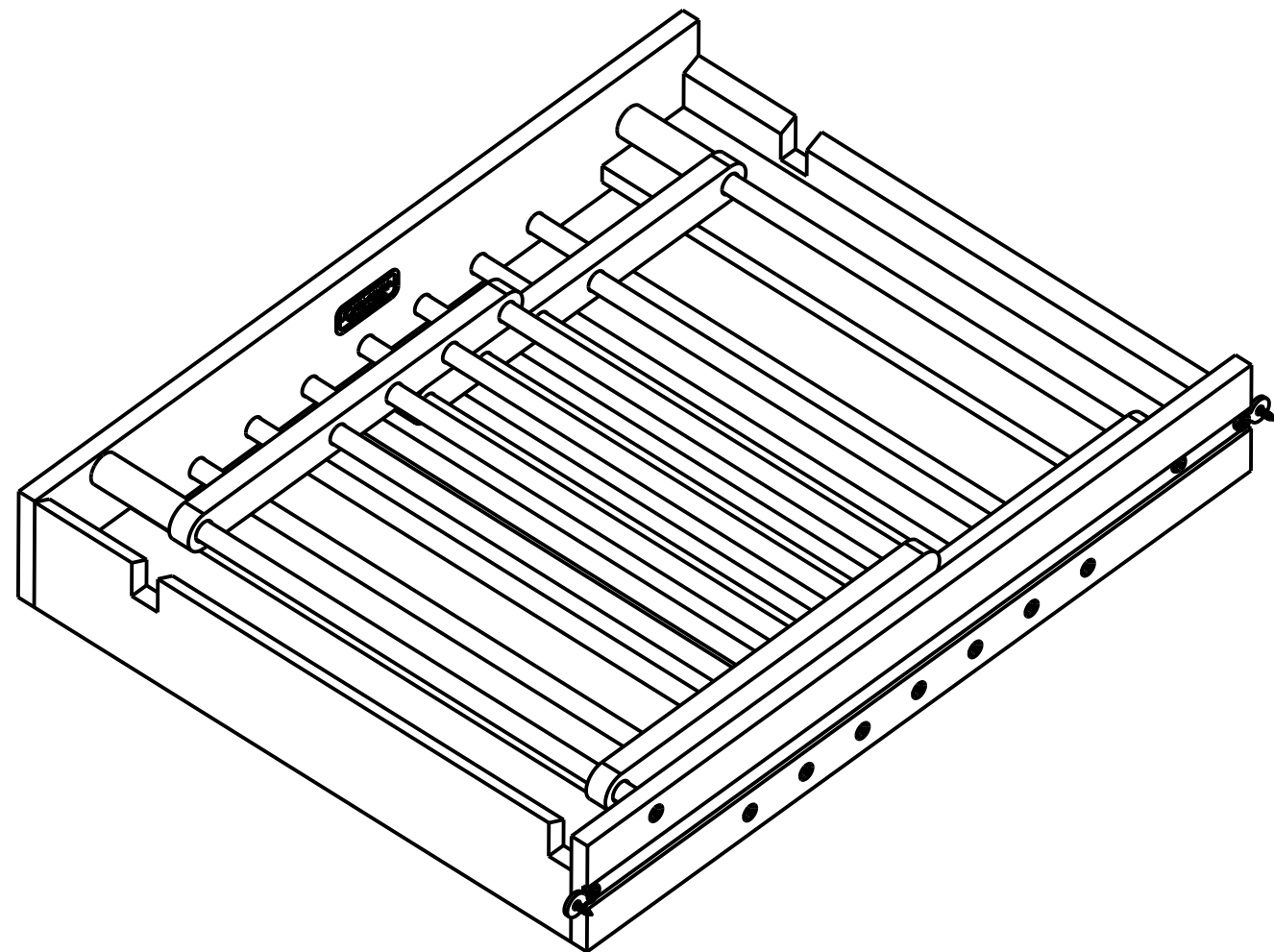


CUSTOMER DRAWING

This drawing is the property of Rev-A-Shelf (RAS) and is disclosed in confidence to the extent its subject matter is original to RAS. Any vendor receiving this drawing from RAS shall hold and use this drawing for the sole benefit of RAS and shall not disclose it to, or use or reproduce it for any third party, or perform any act adverse to the interest of RAS with respect to this drawing without the express written permission of RAS. Vendors shall not revise any physical, dimensional or performance characteristic unless authorized by Rev-A-Shelf Engineering.

REV.	DATE	BY	DESCRIPTION OF CHANGE

INCH [MM]	AMERICAN PROJECTION	BY	DATE	
		JAB	10/17/23	
TOLERANCES		MATERIAL	DRAWING NO.	SCALE
MAT.	DEC.	FINISH	4WDR-30H-1	0.200
(WOOD)	.XX ±.03 [.8mm]		PART NO.	4WDR-30H-1
(OTHER)	.XX ±.02 [.5mm]			1 3
(ALL)	.XXX ±.005 [.13 mm]			
FRACTIONS	±1/32 [.8 mm]			



PART DIMENSIONS		
	MIN	MAX
WIDTH	26.53	
DEPTH	20.98	
HEIGHT	3.88	
CONTAINER CAPACITY		
CONTAINER UOM		

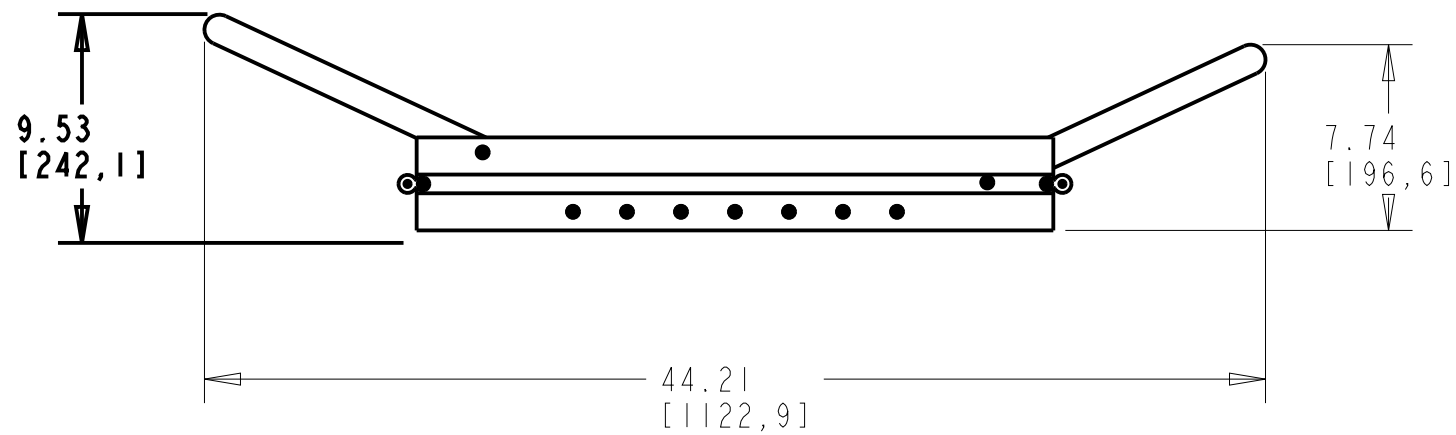
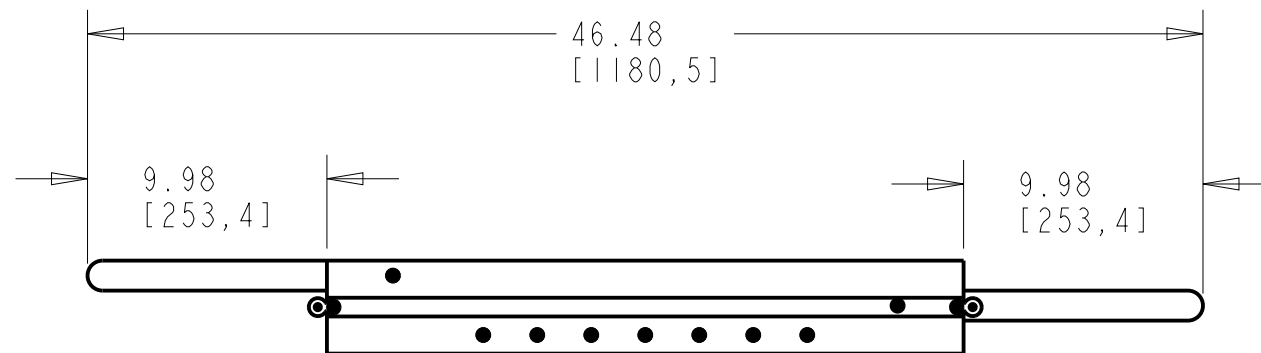
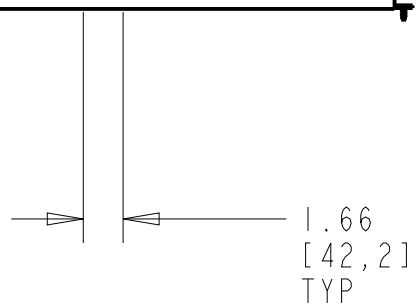
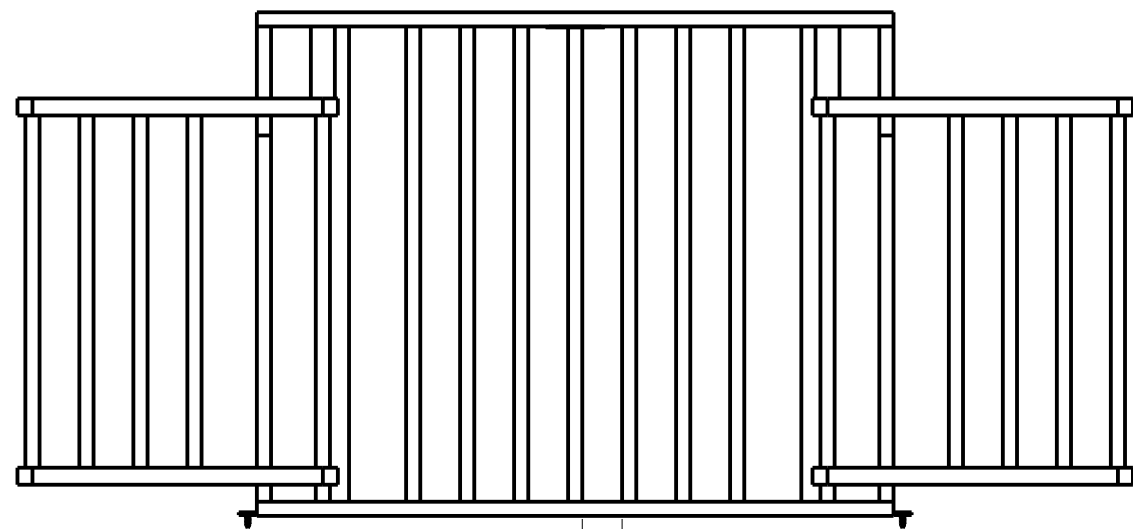
MIN CABINET OPENING				
	FACE FRAME	FRAMELESS	INSET FACE FRAME	INSET FRAMELESS
WIDTH	27	27	27	27
DEPTH	21.75	21.75	22.50	22.50
HEIGHT	4.75	4.75	4.75	4.75

CUSTOMER DRAWING

This drawing is the property of Rev-A-Shelf (RAS) and is disclosed in confidence to the extent its subject matter is original to RAS. Any vendor receiving this drawing from RAS shall hold and use this drawing for the sole benefit of RAS and shall not disclose it to, or use or reproduce it for any third party, or perform any act adverse to the interest of RAS with respect to this drawing without the express written permission of RAS. Vendors shall not revise any physical, dimensional or performance characteristic unless authorized by Rev-A-Shelf Engineering.

REV.	DATE	BY	DESCRIPTION OF CHANGE

INCH [MM]	AMERICAN PROJECTION	BY	DATE	
		JAB	10/17/23	
	TOLERANCES	MATERIAL	DRAWING NO.	SCALE
	MAT. DEC. (WOOD) .XX ±.03 [.8mm] (OTHER) .XX ±.02 [.5mm] (ALL) .XXX ±.005 [.13 mm] FRACTIONS ±1/32 [.8 mm]		4WDR-30H-1	0.200
	ANGLES ±1/2°	FINISH	PART NO.	SHEET OF
			4WDR-30H-1	2 OF 3



CUSTOMER DRAWING

This drawing is the property of Rev-A-Shelf (RAS) and is disclosed in confidence to the extent its subject matter is original to RAS. Any vendor receiving this drawing from RAS shall hold and use this drawing for the sole benefit of RAS and shall not disclose it to, or use or reproduce it for any third party, or perform any act adverse to the interest of RAS with respect to this drawing without the express written permission of RAS. Vendors shall not revise any physical, dimensional or performance characteristic unless authorized by Rev-A-Shelf Engineering.

REV.	DATE	BY	DESCRIPTION OF CHANGE

INCH [MM]	AMERICAN PROJECTION	BY	DATE		
		JAB	10/17/23		
TOLERANCES		MATERIAL	DRAWING NO.	SCALE	
MAT. DEC. (WOOD) .XX ±.03 [.8mm] (OTHER) .XX ±.02 [.5mm] (ALL) .XXX ±.005 [.13 mm] FRACTIONS ±1/32 [.8 mm]		FINISH	4WDR-30H-1	0.200	
ANGLES ±1/2°			PART NO.	SHEET OF	
			4WDR-30H-1	3 3	